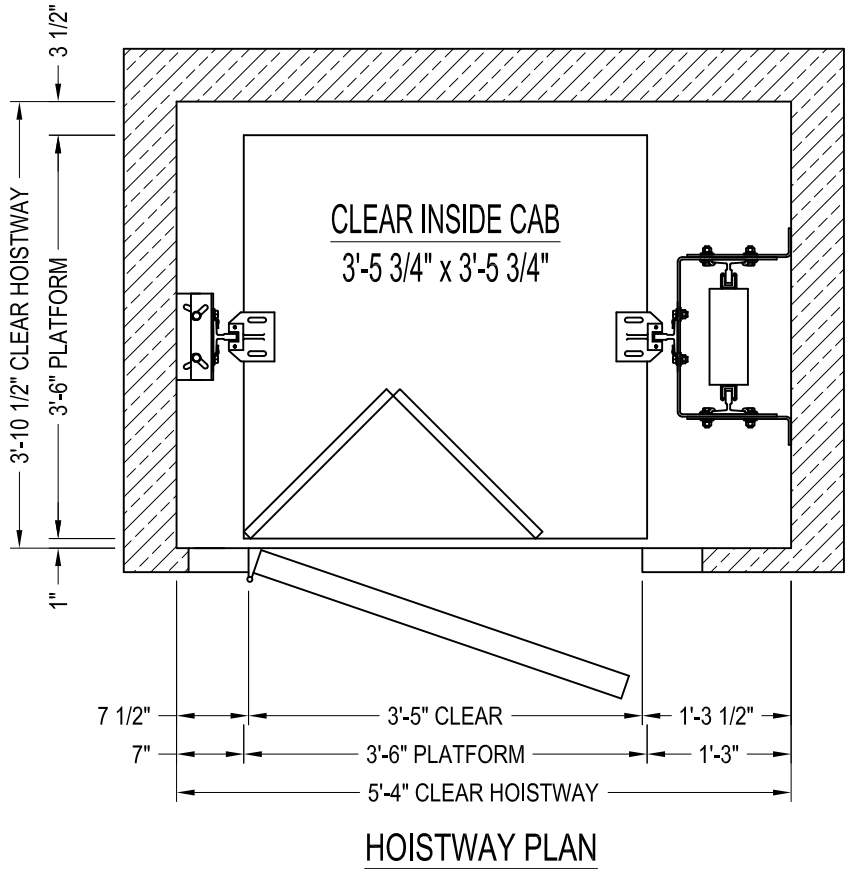


SECTION A-A

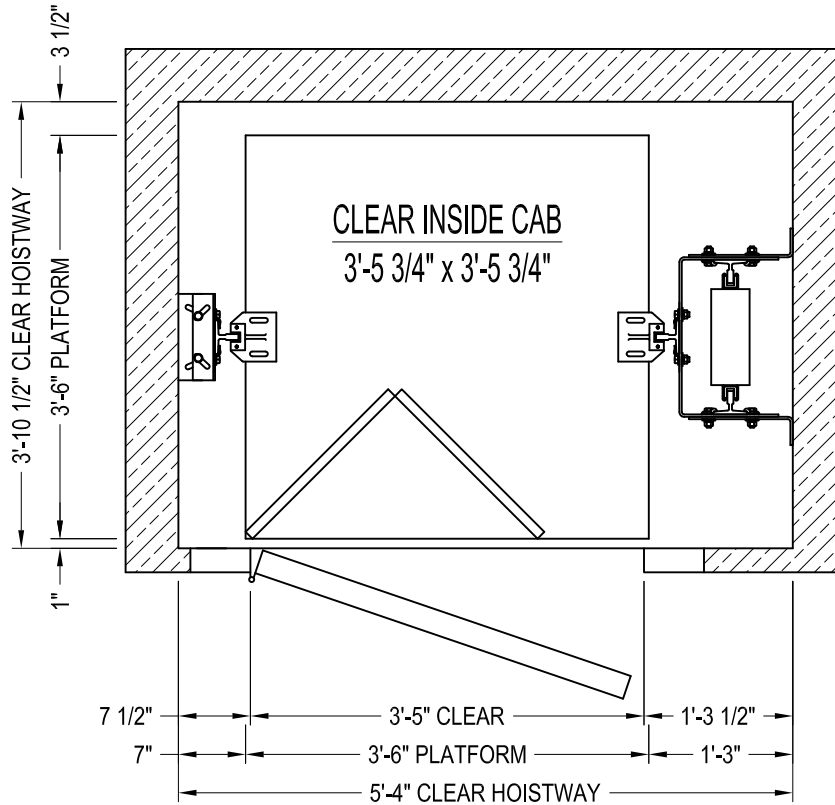


SPPE / MANLIFT
ELEVATION & PLAN VIEW

CAPACITY 1000 lbs.

10MLSC1E14

SIDE CWT



HOISTWAY PLAN



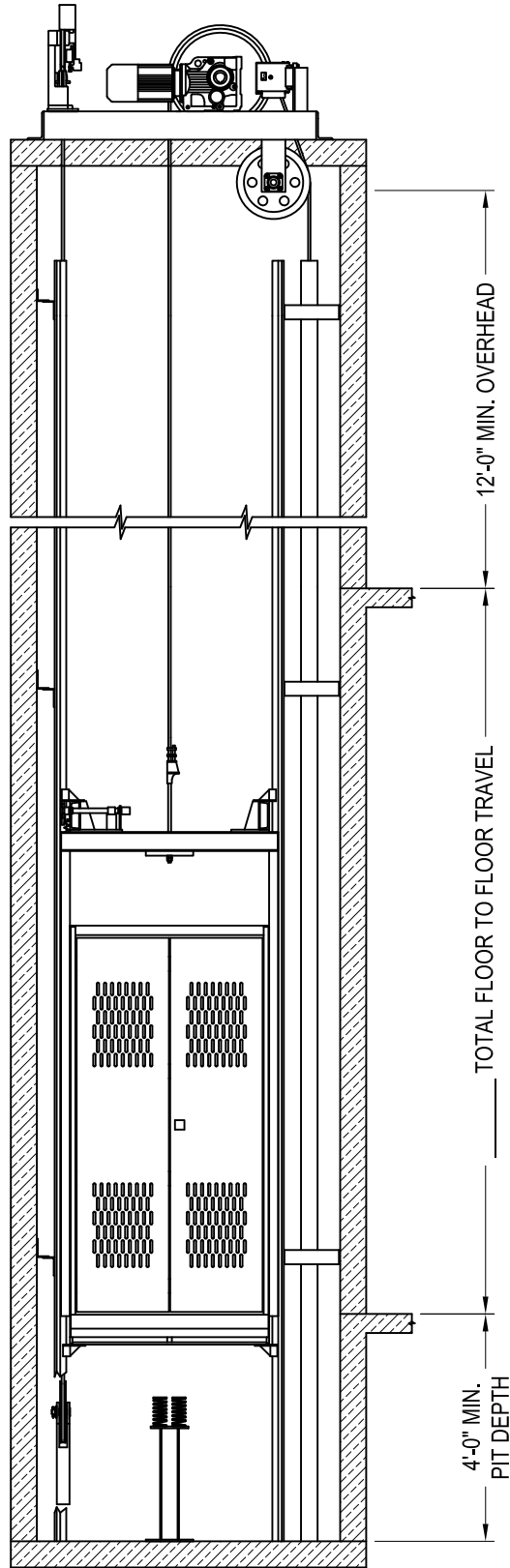
SPPE / MANLIFT

PLAN VIEW

CAPACITY 1000 lbs.

10MLSC1E14

SIDE CWT



SECTION A-A



SPPE / MANLIFT
ELEVATION VIEW

CAPACITY 1000 lbs.

10MLSC1E14

SIDE CWT