

SECTION A-A
NOT TO SCALE

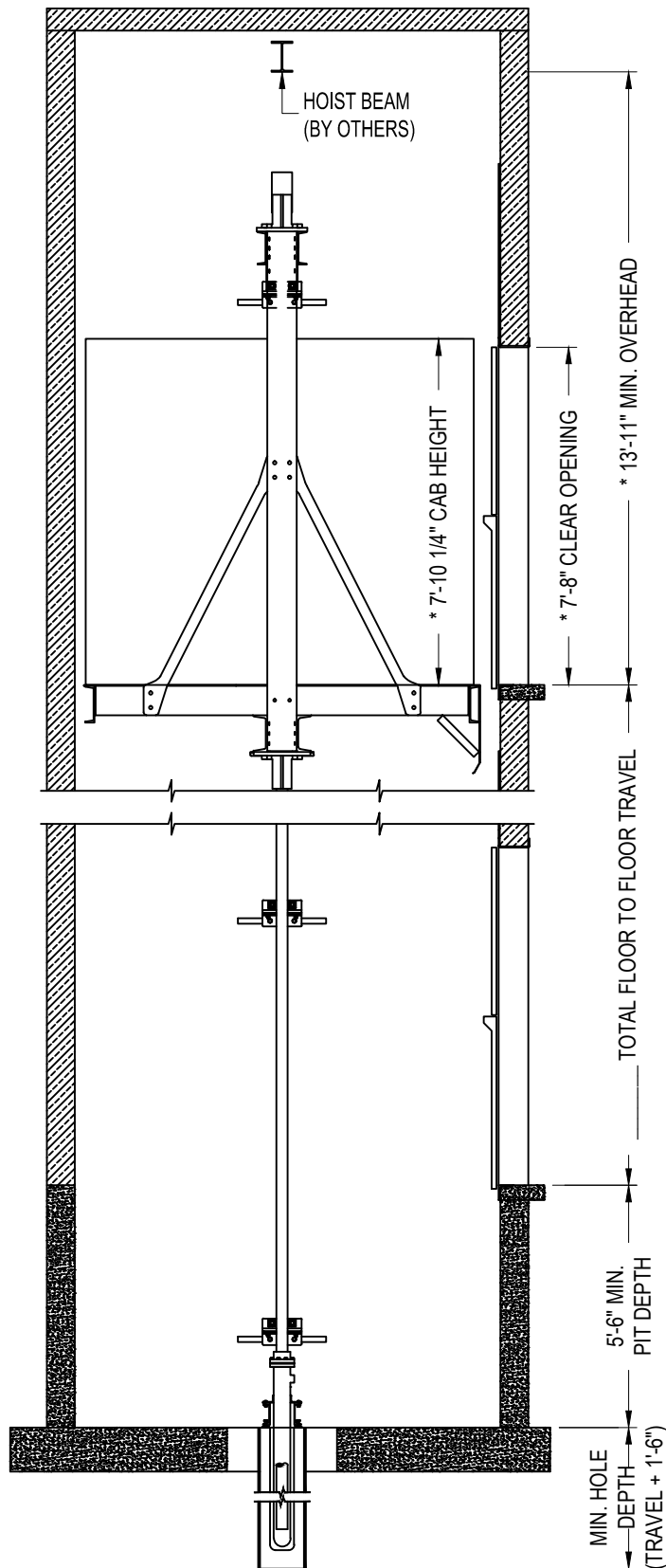
* DIMENSIONS BASED ON 7'-8" INSIDE CAB.
OTHER OPTIONS AVAILABLE.
CONSULT LITERATURE.

HOISTWAY PLAN



FREIGHT IN-GROUND
ELEVATION & PLAN VIEW

CAPACITY 10,000 lbs. 100FIG1E14
FREIGHT Class B



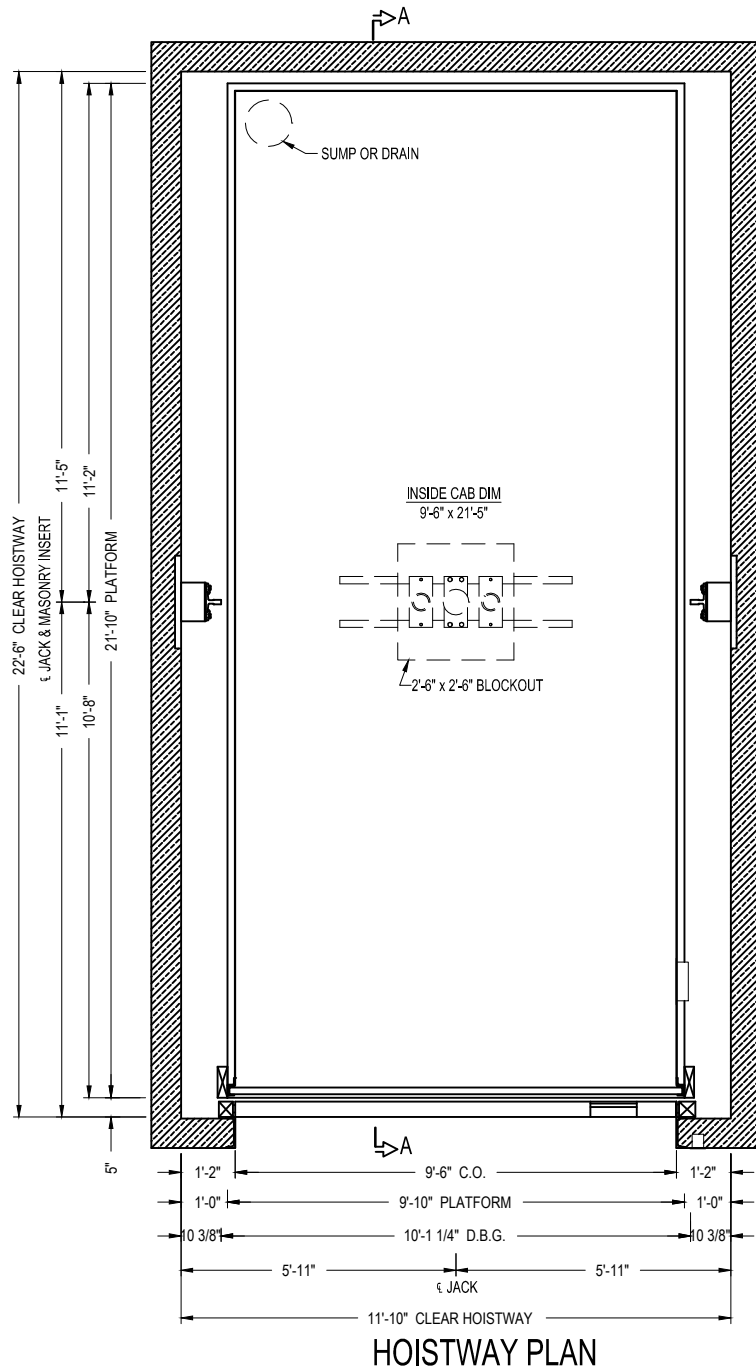
SECTION A-A
NOT TO SCALE

* DIMENSIONS BASED ON 7'-8" INSIDE CAB.
OTHER OPTIONS AVAILABLE.
CONSULT LITERATURE.



FREIGHT IN-GROUND
ELEVATION VIEW

CAPACITY 10,000 lbs. 100FIG1E14
FREIGHT Class B



FREIGHT IN-GROUND
 PLAN VIEW

CAPACITY 10,000 lbs. 100FIG1E14
 FREIGHT Class B