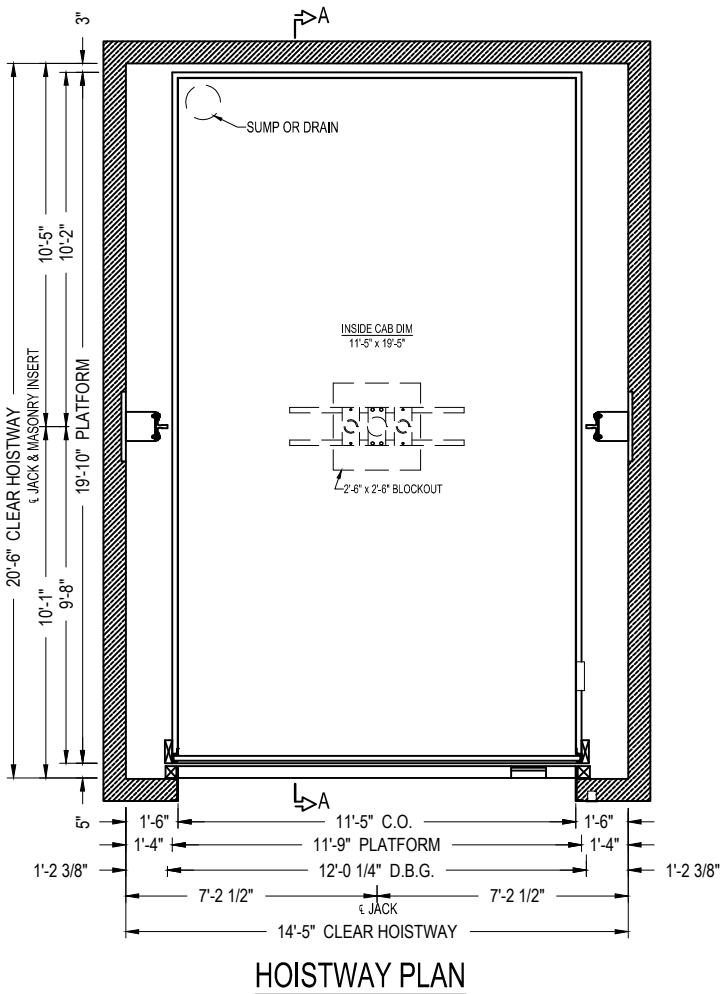


**SECTION A-A**  
NOT TO SCALE

\* DIMENSIONS BASED ON 7'-8" INSIDE CAB.  
OTHER OPTIONS AVAILABLE.  
CONSULT LITERATURE.

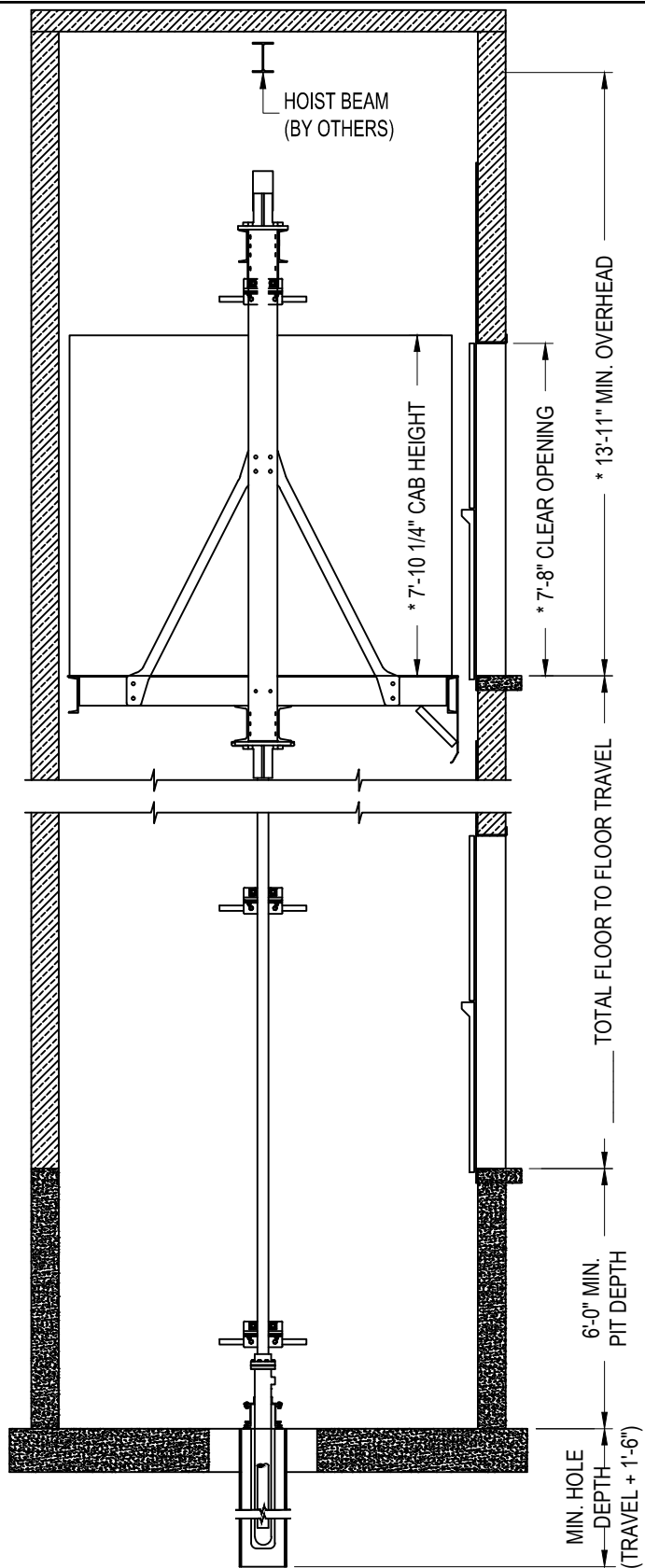


**HOISTWAY PLAN**



**FREIGHT IN-GROUND**  
**ELEVATION & PLAN VIEW**

CAPACITY 20,000 lbs.	200FIG1E14
FREIGHT	



SECTION A-A  
NOT TO SCALE

\* DIMENSIONS BASED ON 7'-8" INSIDE CAB.  
OTHER OPTIONS AVAILABLE.  
CONSULT LITERATURE.

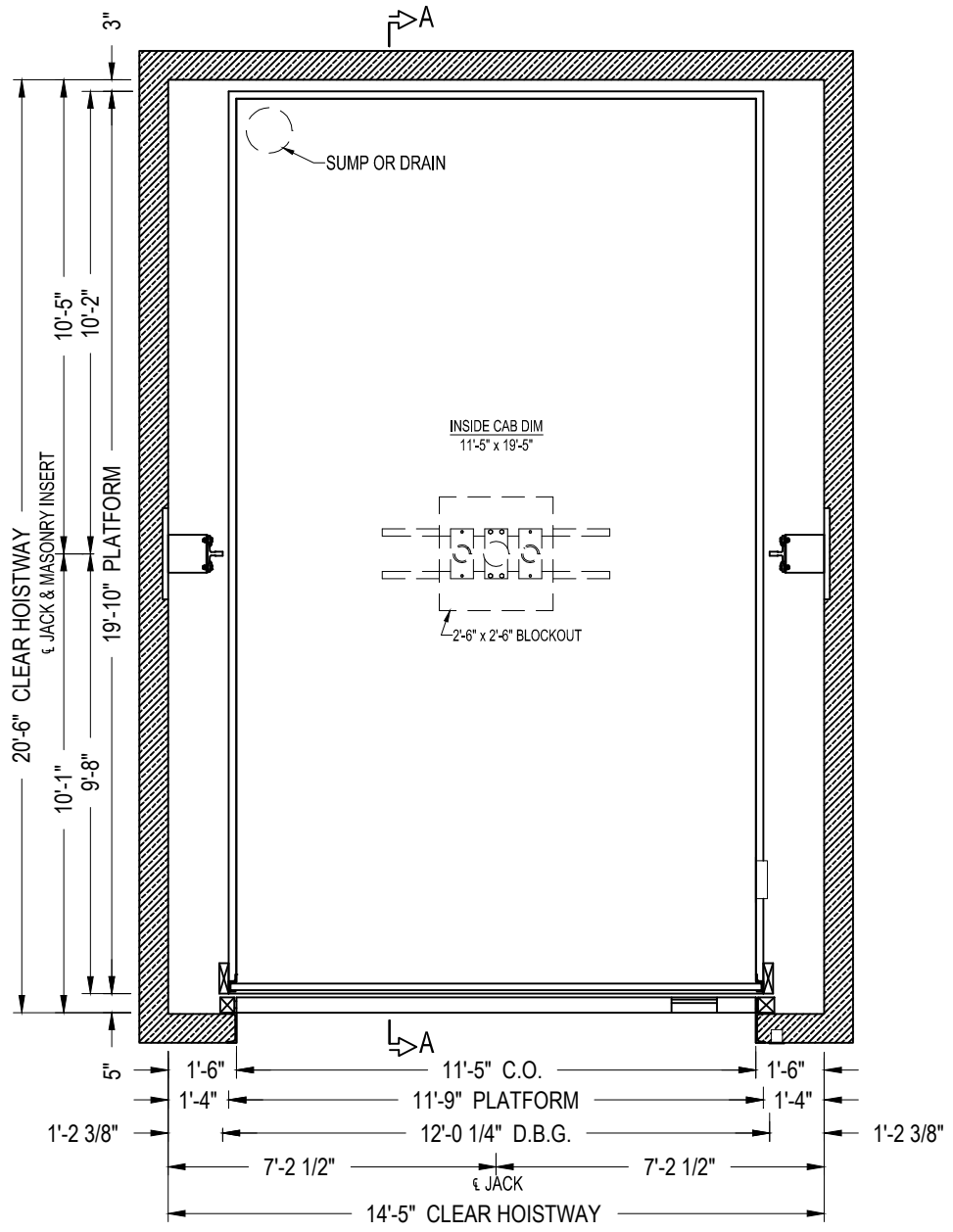


FREIGHT IN-GROUND  
ELEVATION VIEW

CAPACITY 20,000 lbs.

200FIG1E14

FREIGHT



**HOISTWAY PLAN**



**FREIGHT IN-GROUND  
 PLAN VIEW**

**CAPACITY 20,000 lbs. 200FIG1E14  
 FREIGHT**