

SECTION A-A  
NOT TO SCALE

\* DIMENSIONS BASED ON 7'-8" INSIDE CAB.  
OTHER OPTIONS AVAILABLE.  
CONSULT LITERATURE.

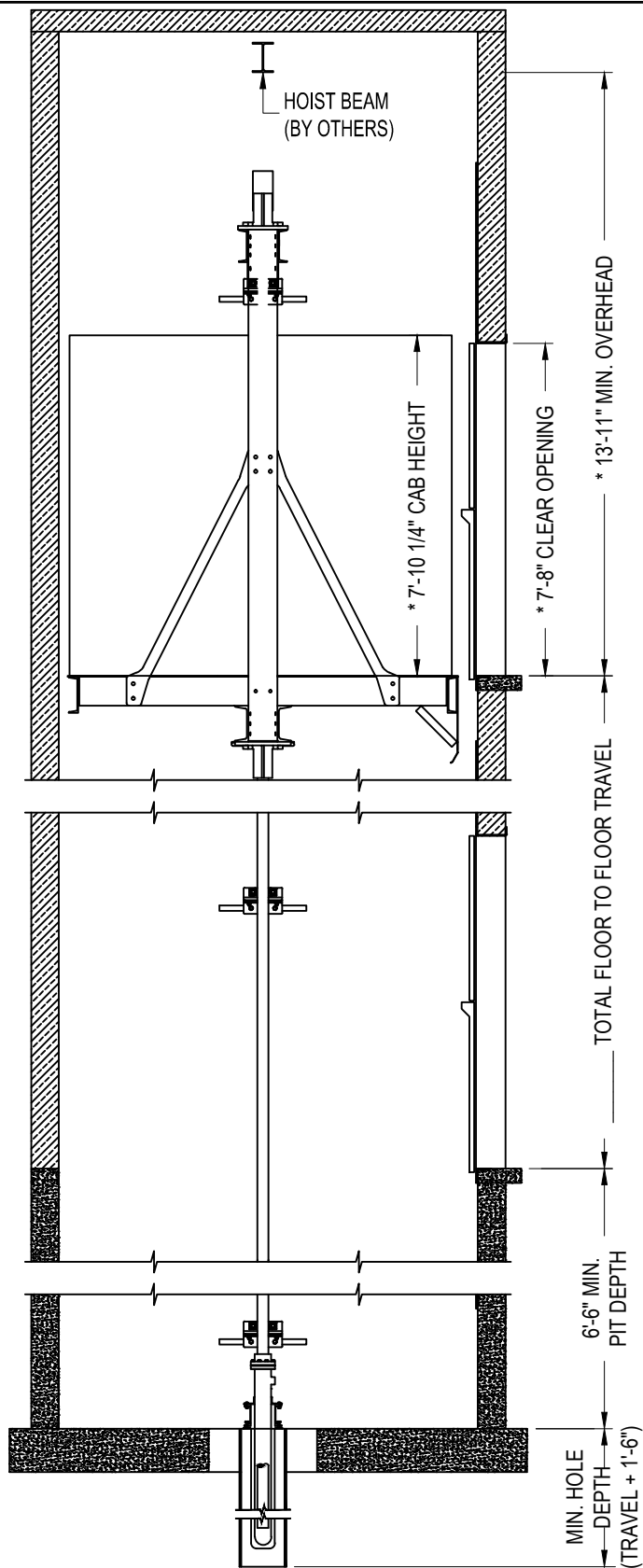


**FREIGHT IN-GROUND  
ELEVATION & PLAN VIEW**

CAPACITY 25,000 lbs.

250FIG1E14

FREIGHT



SECTION A-A  
NOT TO SCALE

\* DIMENSIONS BASED ON 7'-8" INSIDE CAB.  
OTHER OPTIONS AVAILABLE.  
CONSULT LITERATURE.

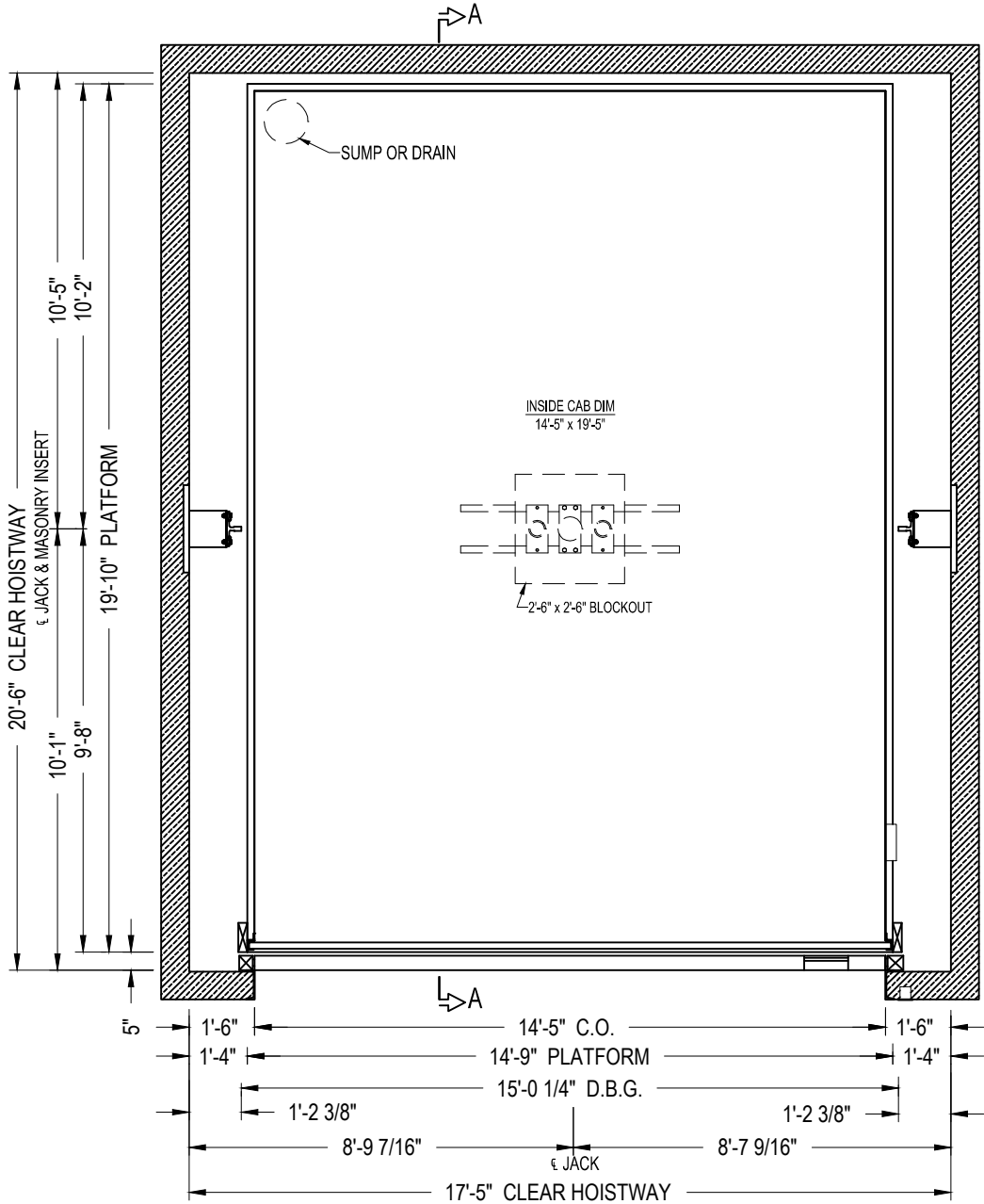


FREIGHT IN-GROUND  
ELEVATION VIEW

CAPACITY 25,000 lbs.

250FIG1E14

FREIGHT



**HOISTWAY PLAN**



**FREIGHT IN-GROUND  
PLAN VIEW**

**CAPACITY 25,000 lbs. 250FIG1E14  
FREIGHT**