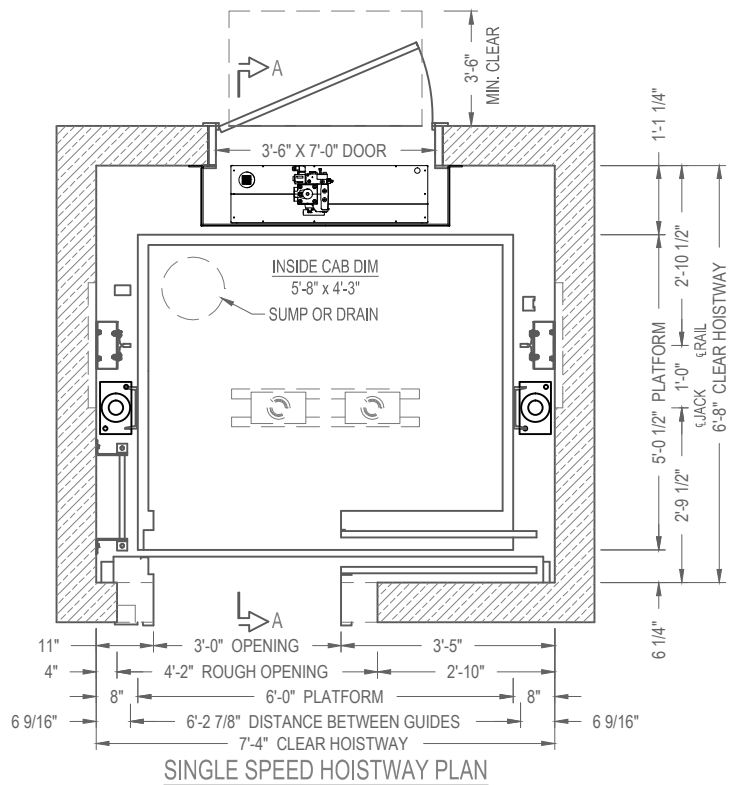


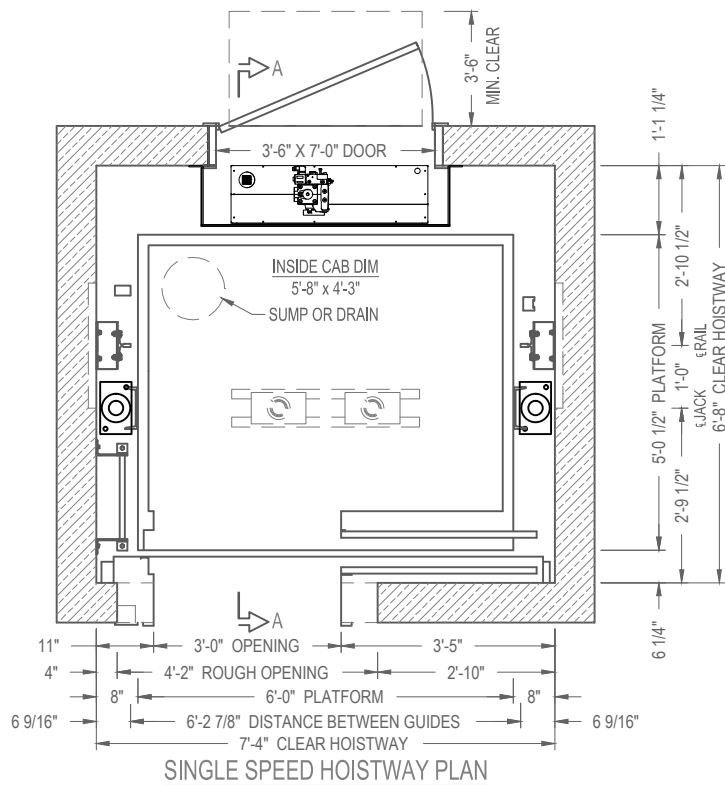
SECTION A-A  
NOT TO SCALE



PASSENGER HOLELESS  
ELEVATION & PLAN VIEW

CAPACITY 2000 lbs.  
SINGLE SLIDE  
PU IN THE REAR

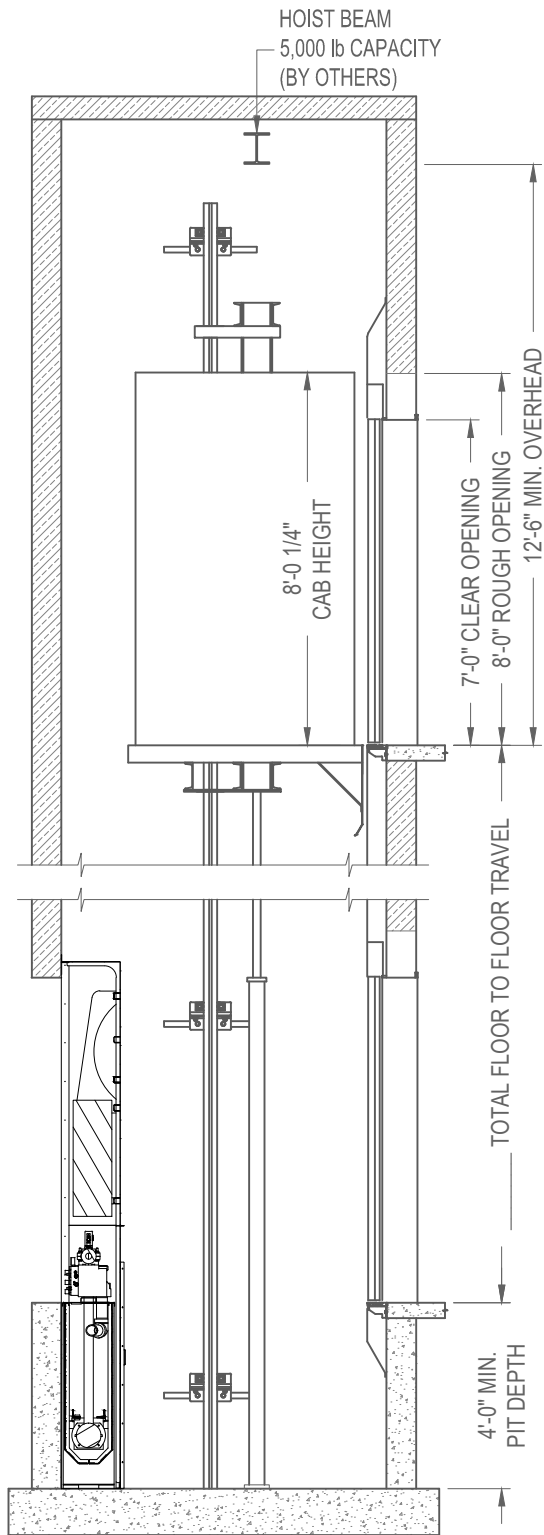
\*20MRLHSS1E14



PASSENGER HOLELESS  
PLAN VIEW

CAPACITY 2000 lbs.  
SINGLE SLIDE  
PU IN THE REAR

\*20MRLHSS1E14



SECTION A-A  
NOT TO SCALE



PASSENGER HOLELESS  
ELEVATION VIEW

CAPACITY 2000 lbs.

\*20MRLHSS1E14

SINGLE SLIDE

PU IN THE REAR