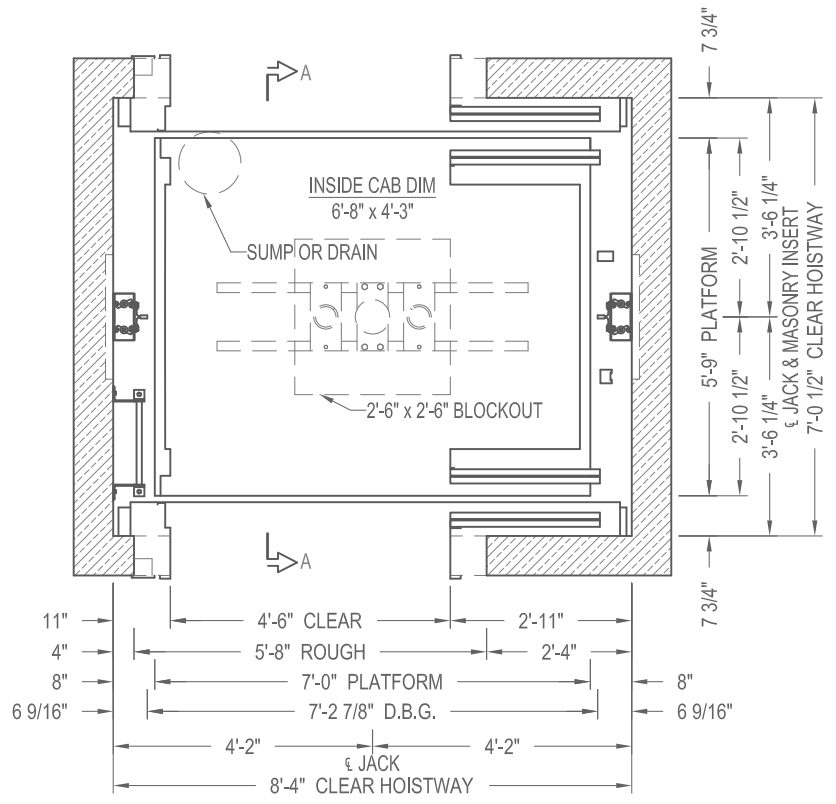


SECTION A-A  
NOT TO SCALE



TWO SPEED HOISTWAY PLAN

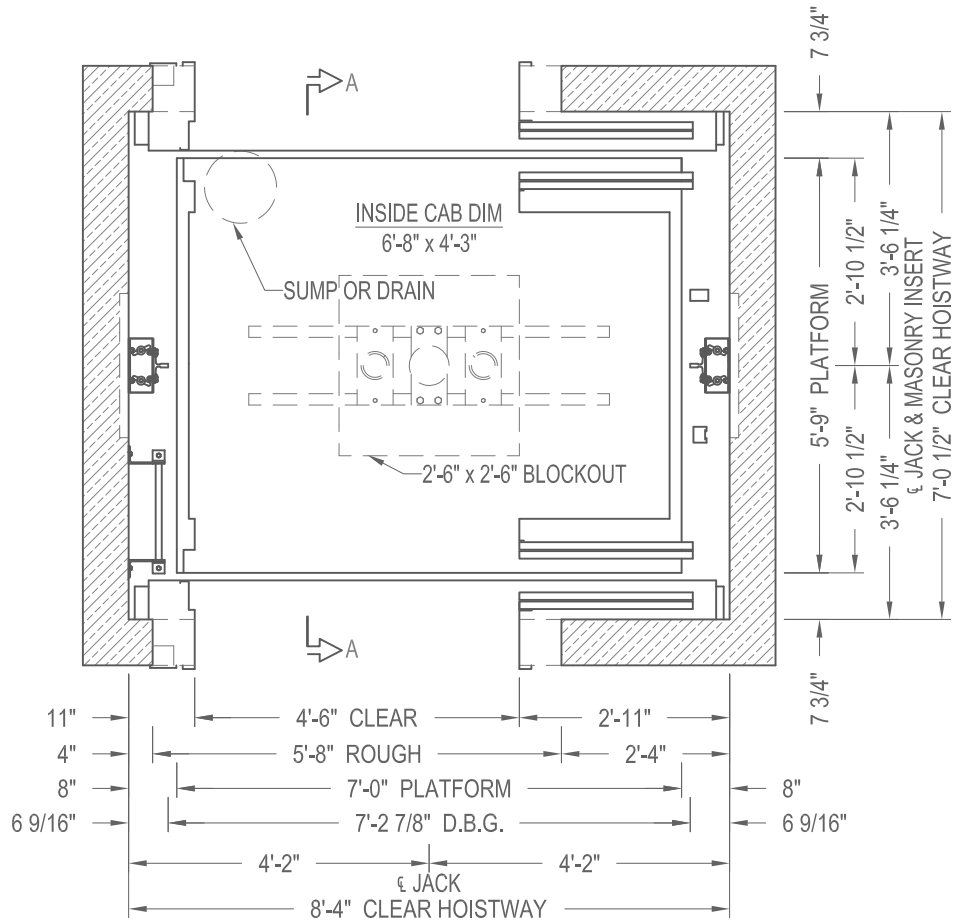


PASSENGER IN-GROUND  
ELEVATION & PLAN VIEW

CAPACITY 2500 lbs.

25IGTS2E14

TWO SPEED



TWO SPEED HOISTWAY PLAN



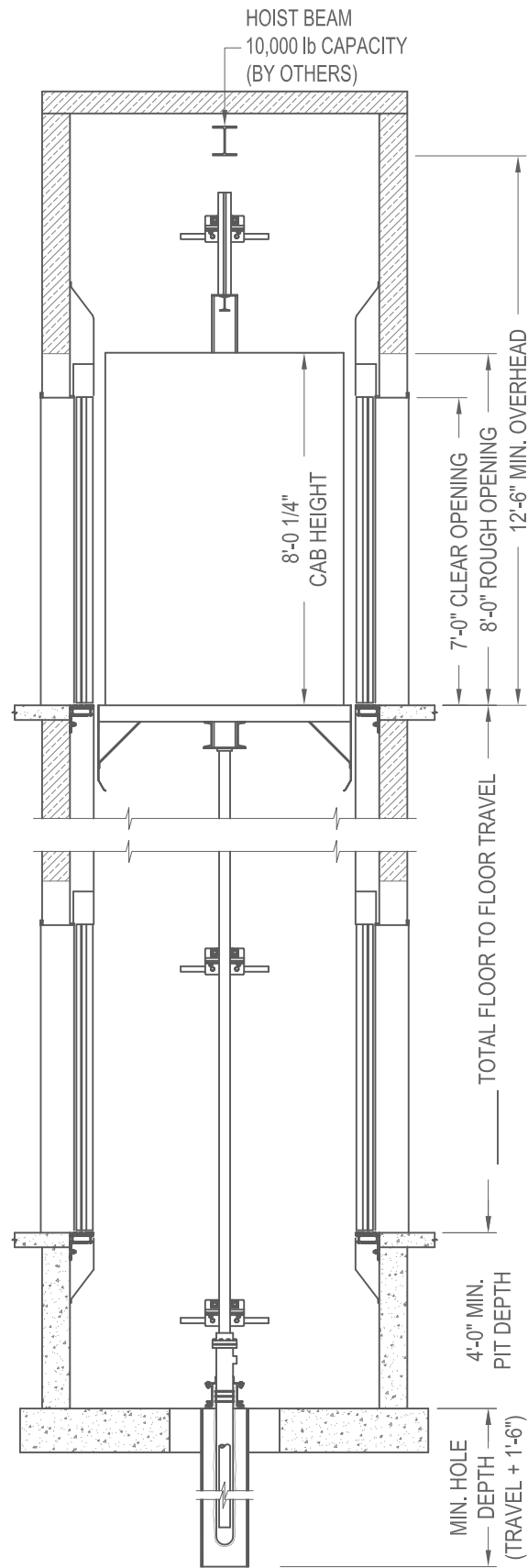
PASSENGER IN-GROUND

PLAN VIEW

CAPACITY 2500 lbs.

251GTS2E14

TWO SPEED



SECTION A-A  
NOT TO SCALE



PASSENGER IN-GROUND  
ELEVATION VIEW

CAPACITY 2500 lbs.

25IGTS2E14

TWO SPEED