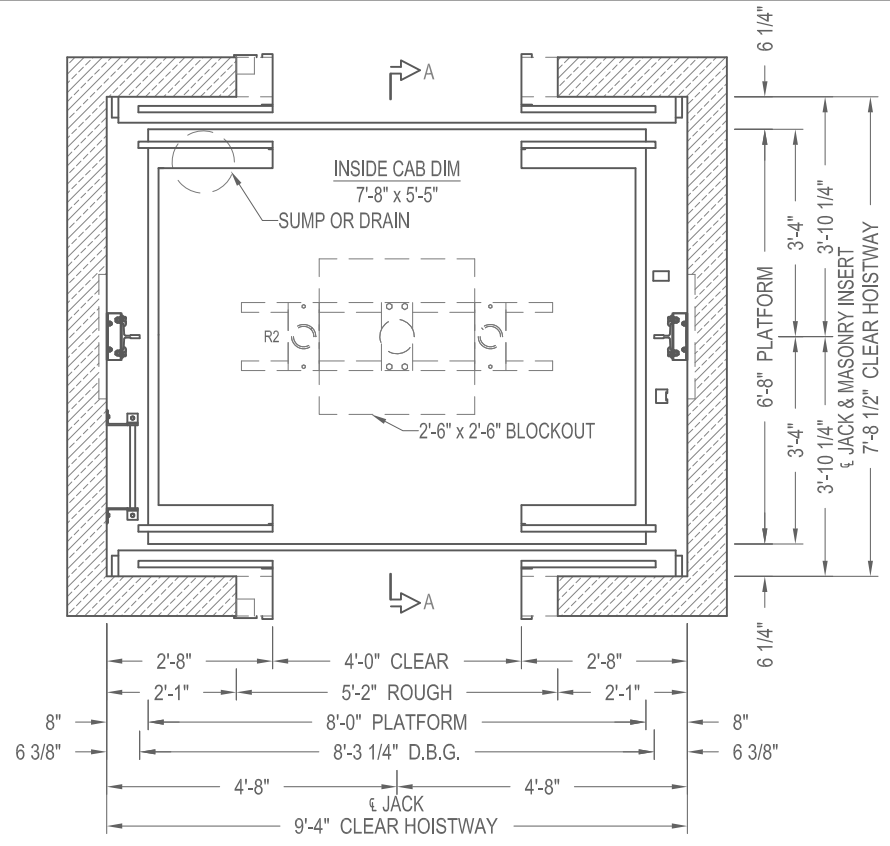
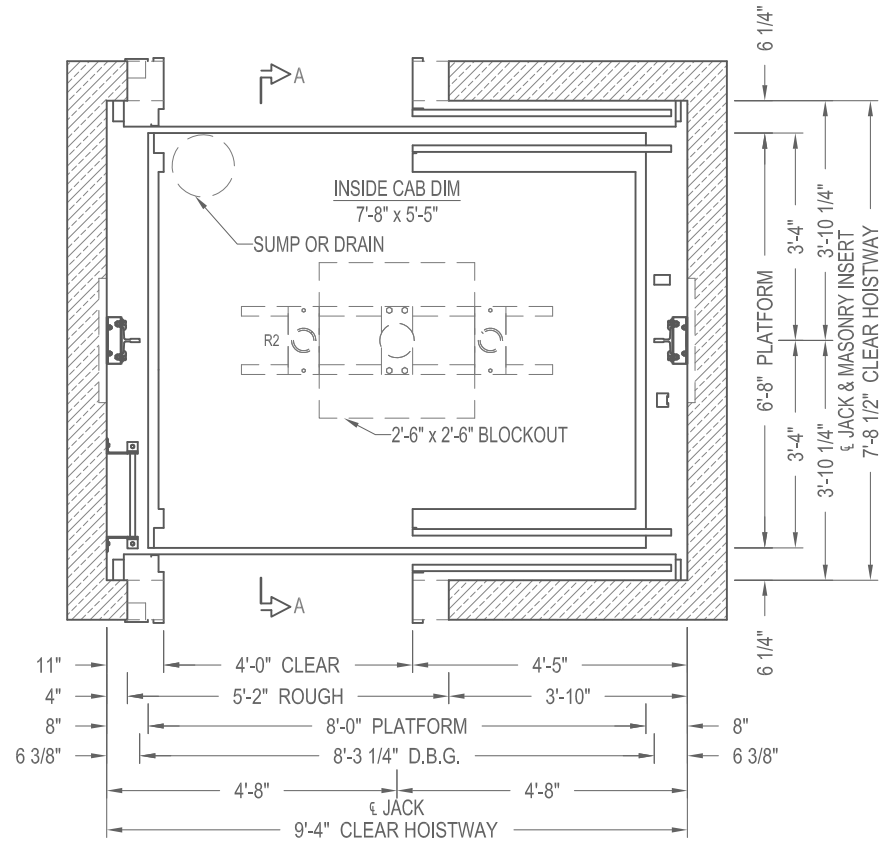


SECTION A-A
NOT TO SCALE



CENTER PARTING HOISTWAY PLAN

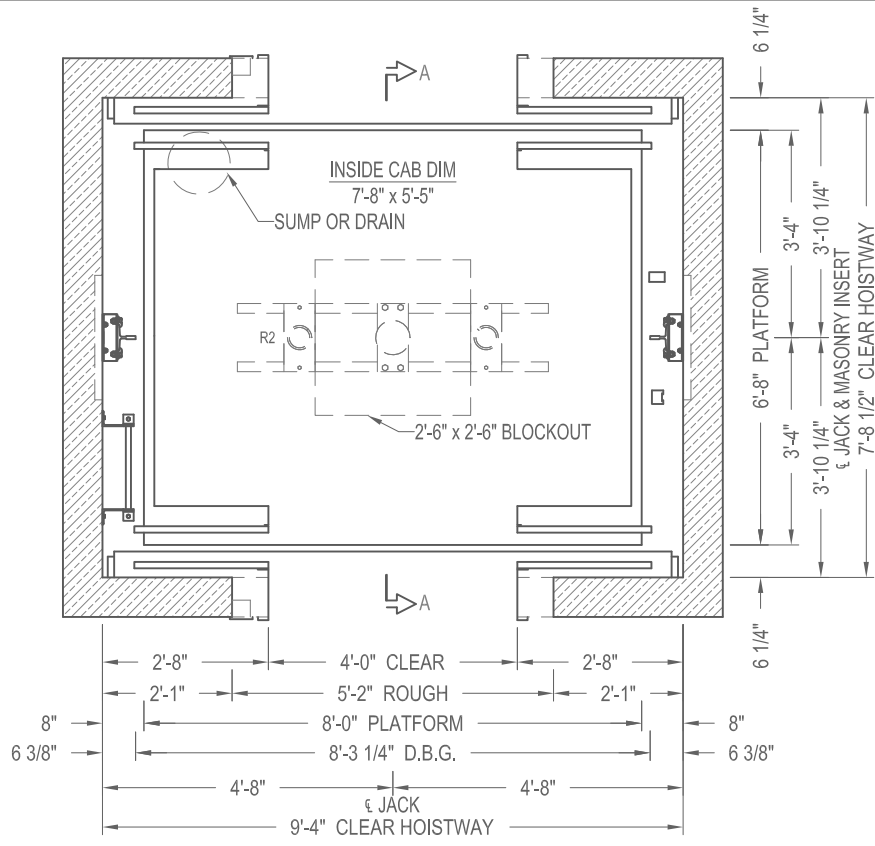


SINGLE SPEED HOISTWAY PLAN

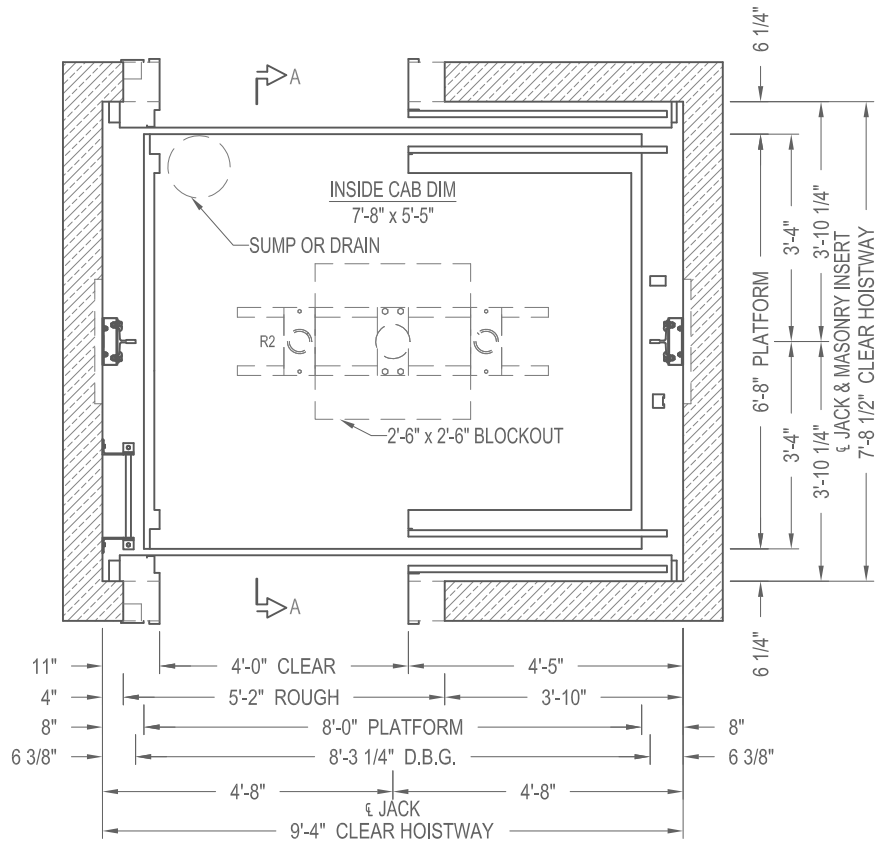


PASSENGER IN-GROUND
ELEVATION & PLAN VIEW

CAPACITY 4000 lbs. 40IGSS2E14
SINGLE SLIDE & CENTER PARTING



CENTER PARTING HOISTWAY PLAN

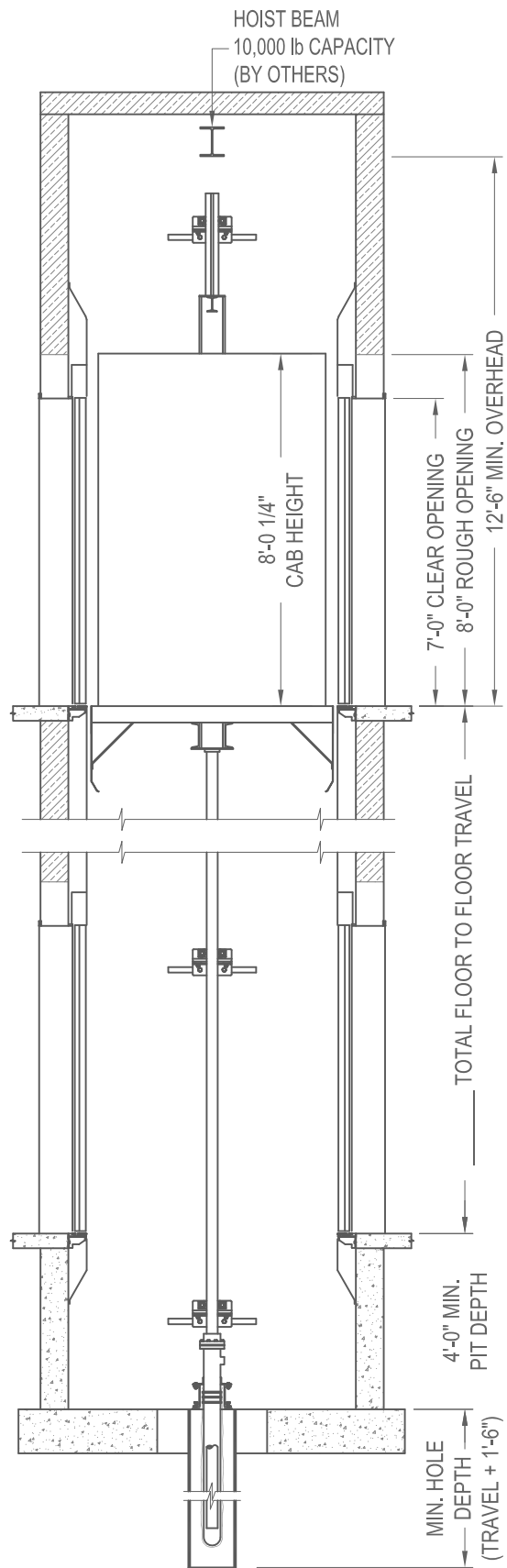


SINGLE SPEED HOISTWAY PLAN



PASSENGER IN-GROUND
PLAN VIEW

CAPACITY 4000 lbs. | 40IGSS2E14
SINGLE SLIDE & CENTER PARTING



SECTION A-A
NOT TO SCALE



PASSENGER IN-GROUND
ELEVATION VIEW

CAPACITY 4000 lbs.

40IGSS2E14

SINGLE SLIDE & CENTER PARTING