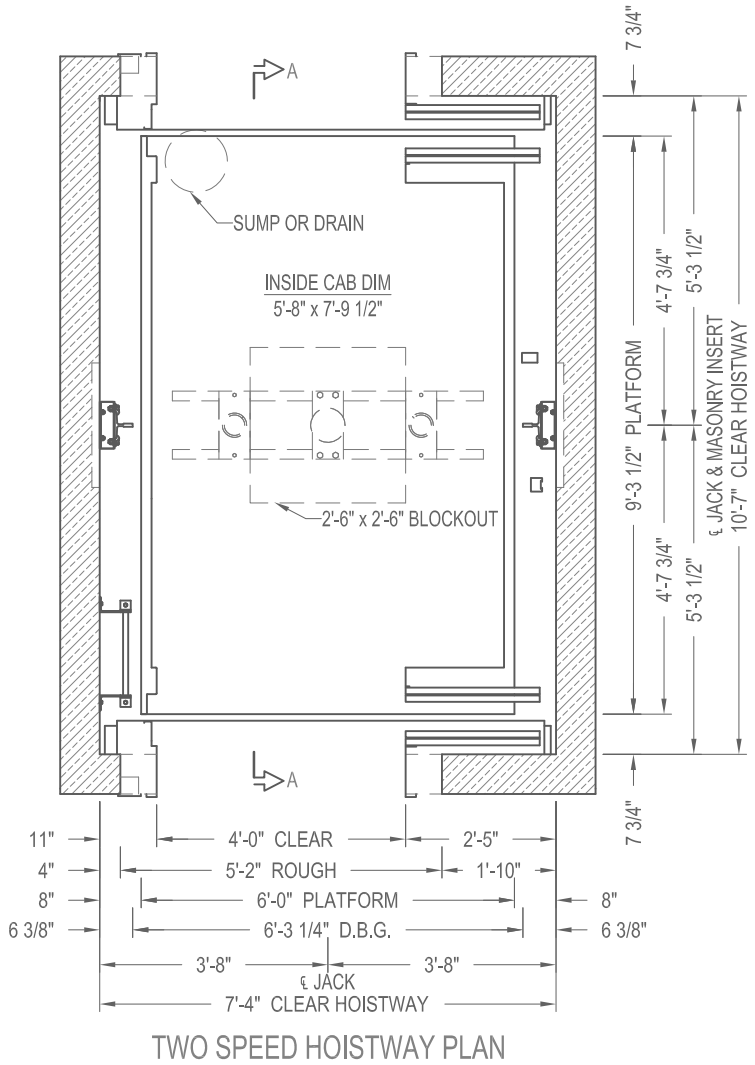


SECTION A-A
NOT TO SCALE



TWO SPEED HOISTWAY PLAN

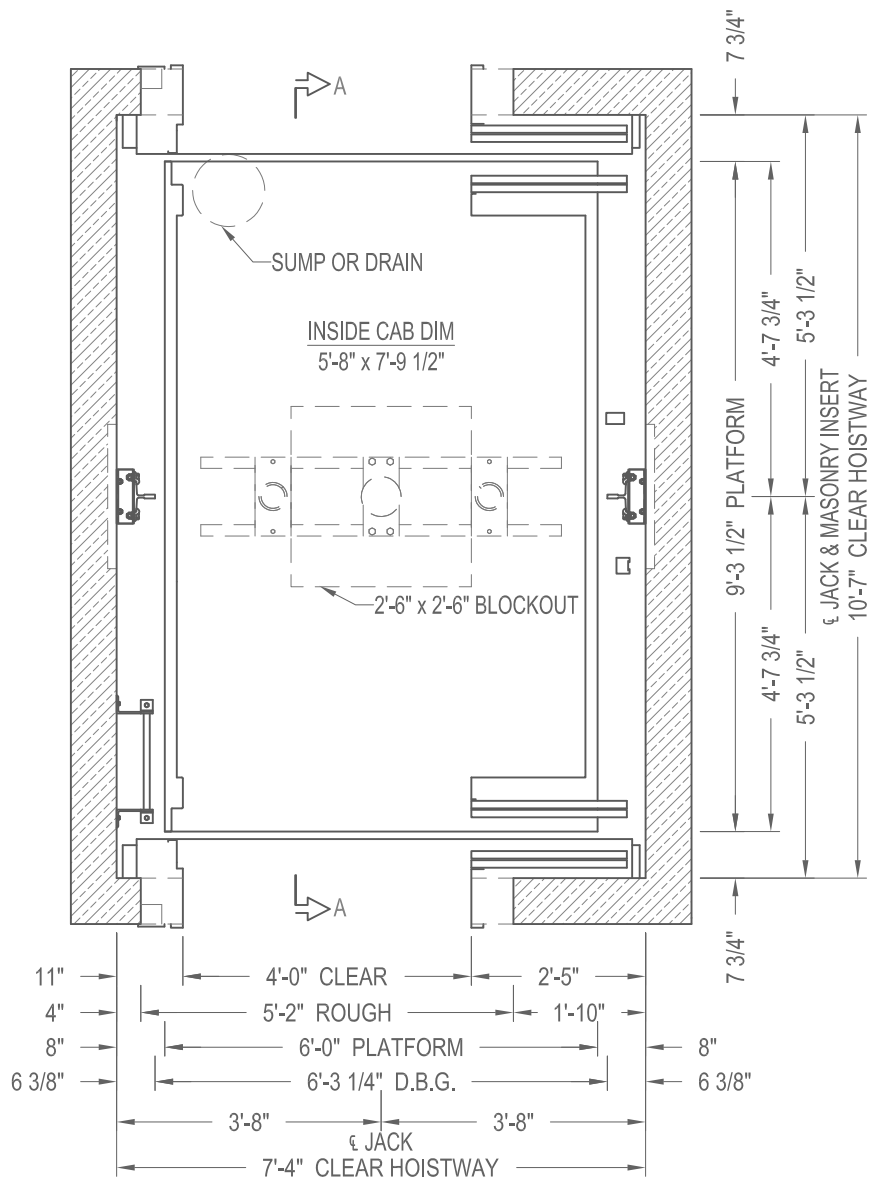


PASSENGER IN-GROUND
ELEVATION & PLAN VIEW

CAPACITY 4500 lbs.

45HIGTS2E14

TWO SPEED



TWO SPEED HOISTWAY PLAN



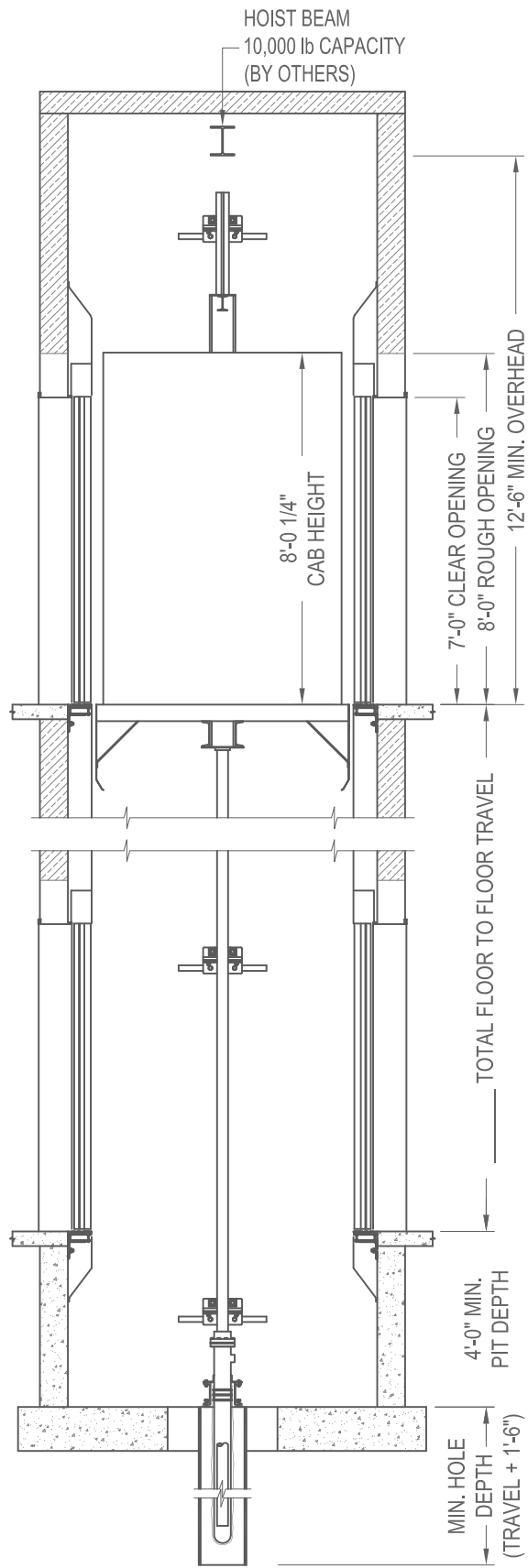
PASSENGER IN-GROUND

PLAN VIEW

CAPACITY 4500 lbs.

45HIGTS2E14

TWO SPEED



SECTION A-A
NOT TO SCALE



PASSENGER IN-GROUND
ELEVATION VIEW

CAPACITY 4500 lbs.

45HIGTS2E14

TWO SPEED