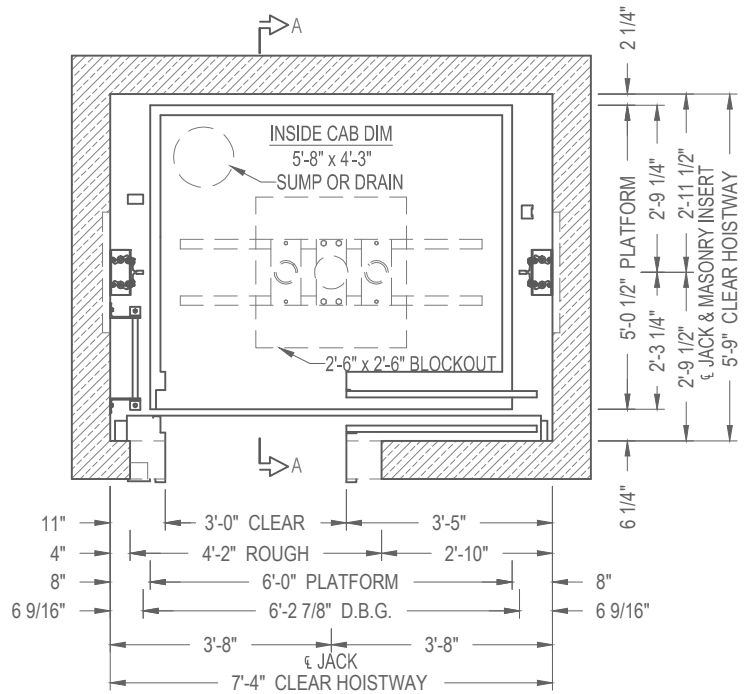


SECTION A-A  
NOT TO SCALE



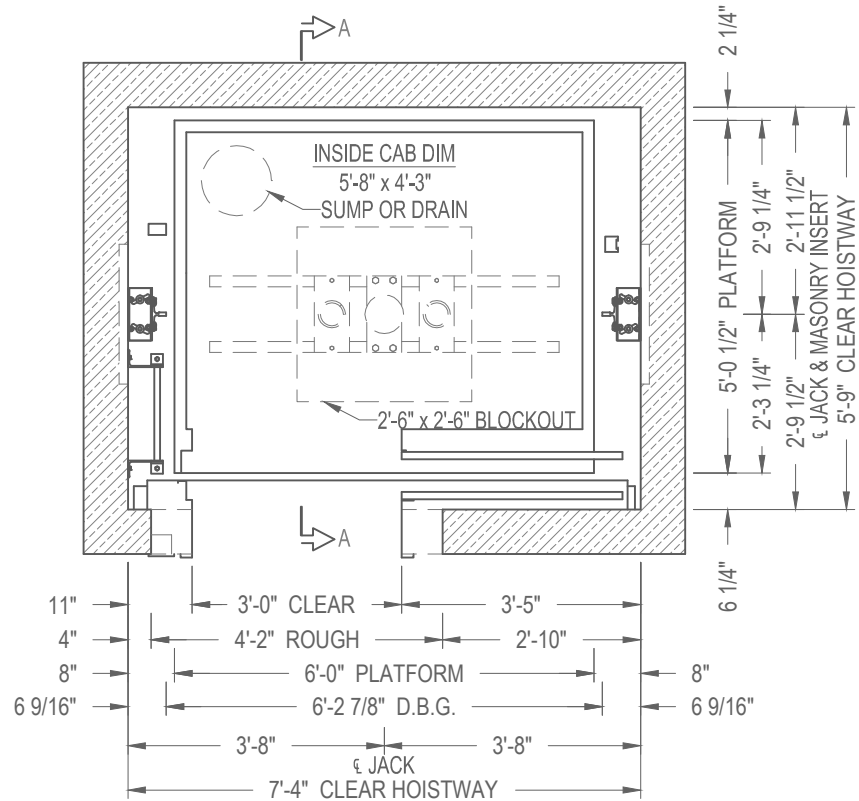
SINGLE SPEED HOISTWAY PLAN



PASSENGER IN-GROUND  
ELEVATION & PLAN VIEW

CAPACITY 2000 lbs.  
SINGLE SLIDE

20IGSS1E14



SINGLE SPEED HOISTWAY PLAN



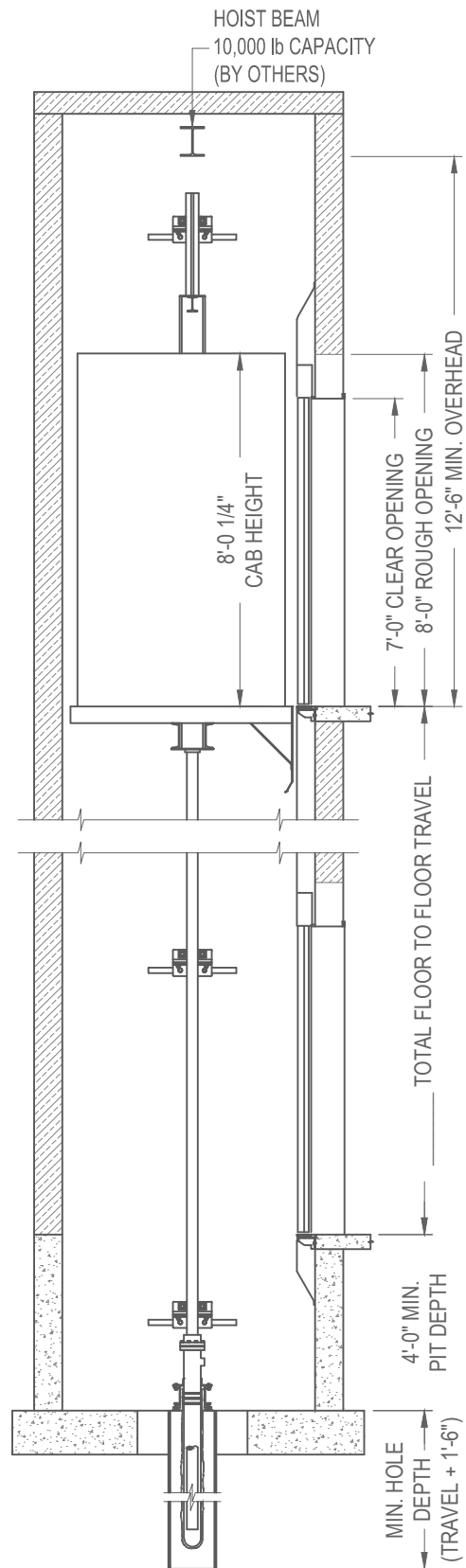
PASSENGER IN-GROUND

PLAN VIEW

CAPACITY 2000 lbs.

20IGSS1E14

SINGLE SLIDE



SECTION A-A  
NOT TO SCALE



PASSENGER IN-GROUND  
ELEVATION VIEW

CAPACITY 2000 lbs.  
SINGLE SLIDE

20IGSS1E14