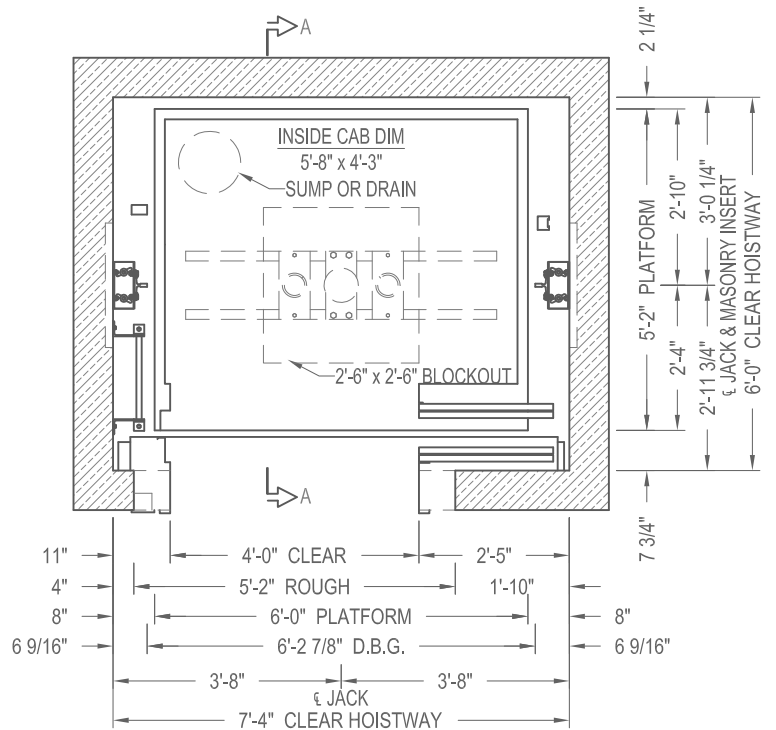


SECTION A-A
NOT TO SCALE

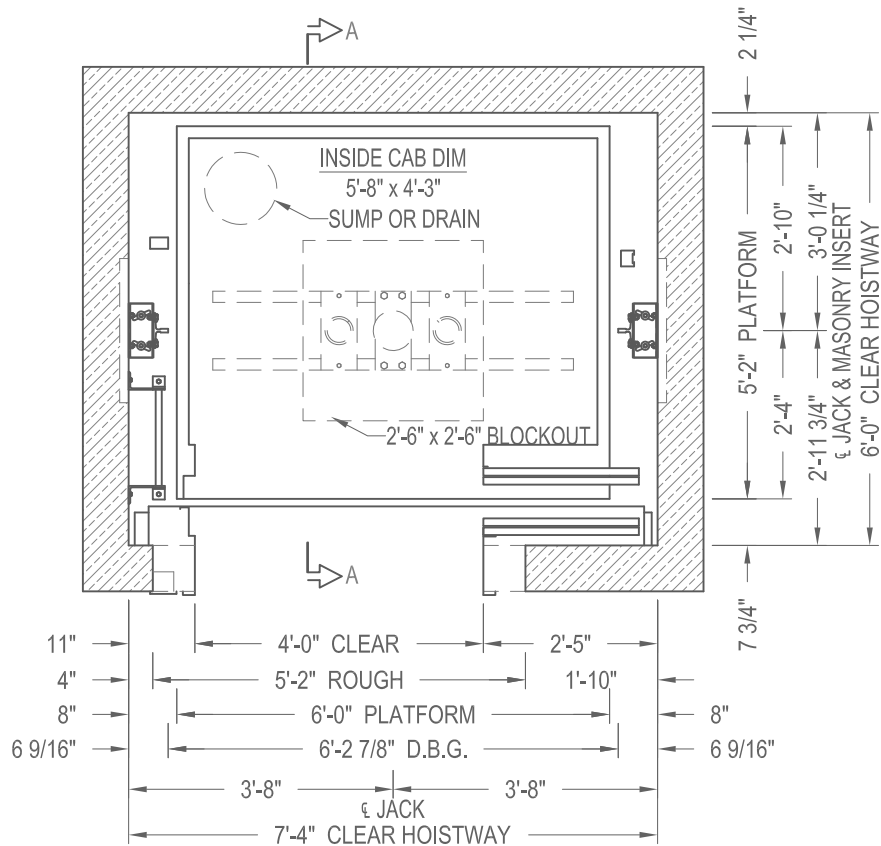


TWO SPEED HOISTWAY PLAN



PASSENGER IN-GROUND
ELEVATION & PLAN VIEW

CAPACITY 2000 lbs.	20IGTS1E14
TWO SPEED	



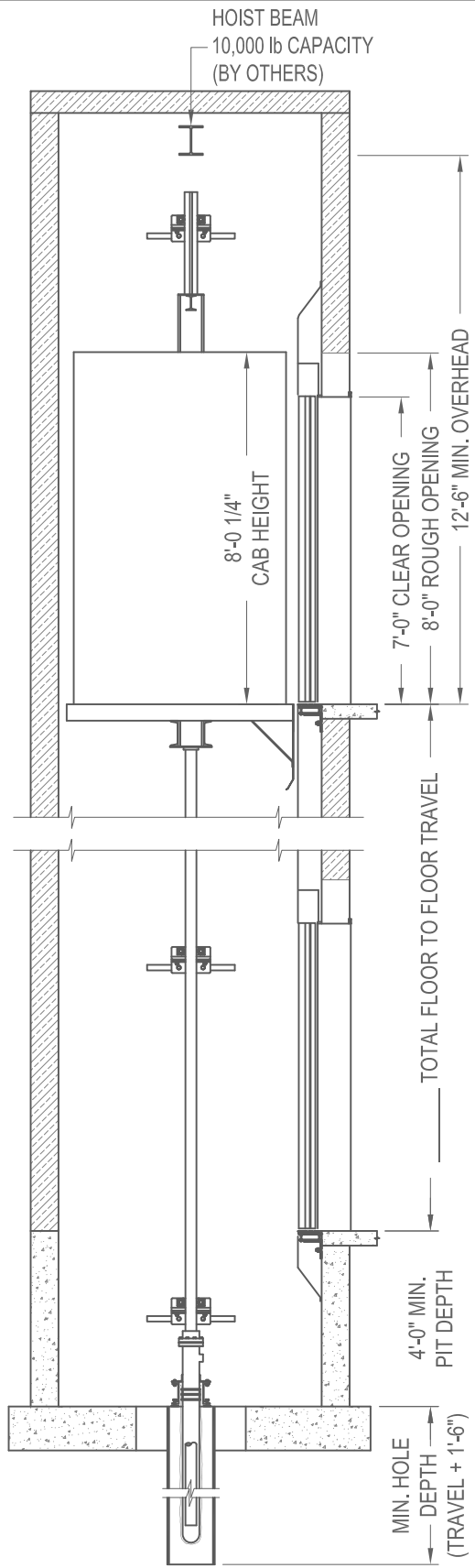
TWO SPEED HOISTWAY PLAN



PASSENGER IN-GROUND
PLAN VIEW

CAPACITY 2000 lbs.
TWO SPEED

20IGTS1E14



SECTION A-A
NOT TO SCALE



PASSENGER IN-GROUND
ELEVATION VIEW

CAPACITY 2000 lbs.	20IGTS1E14
TWO SPEED	