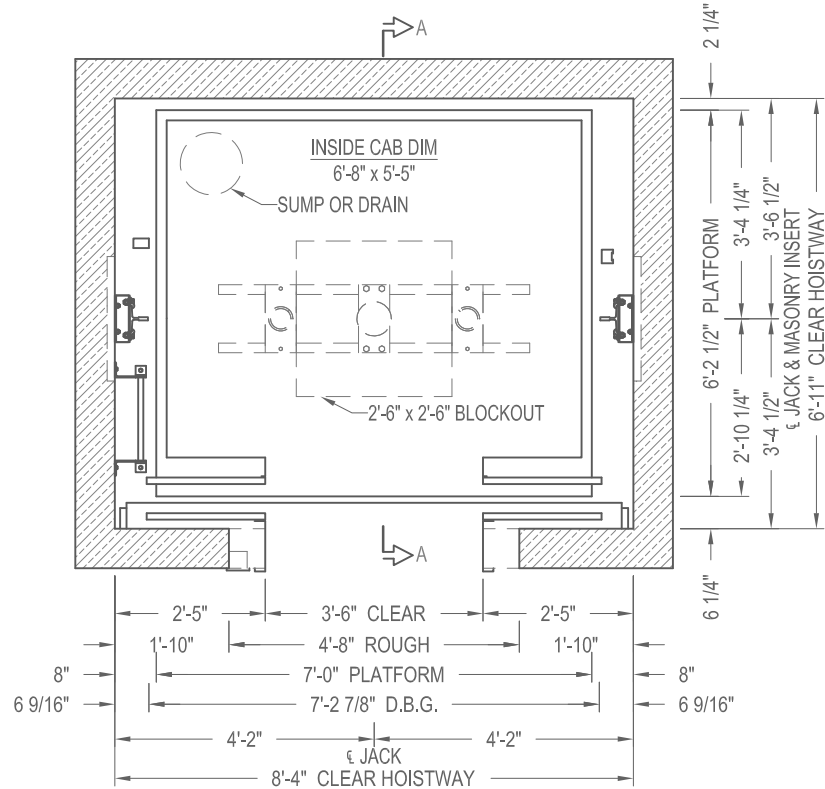
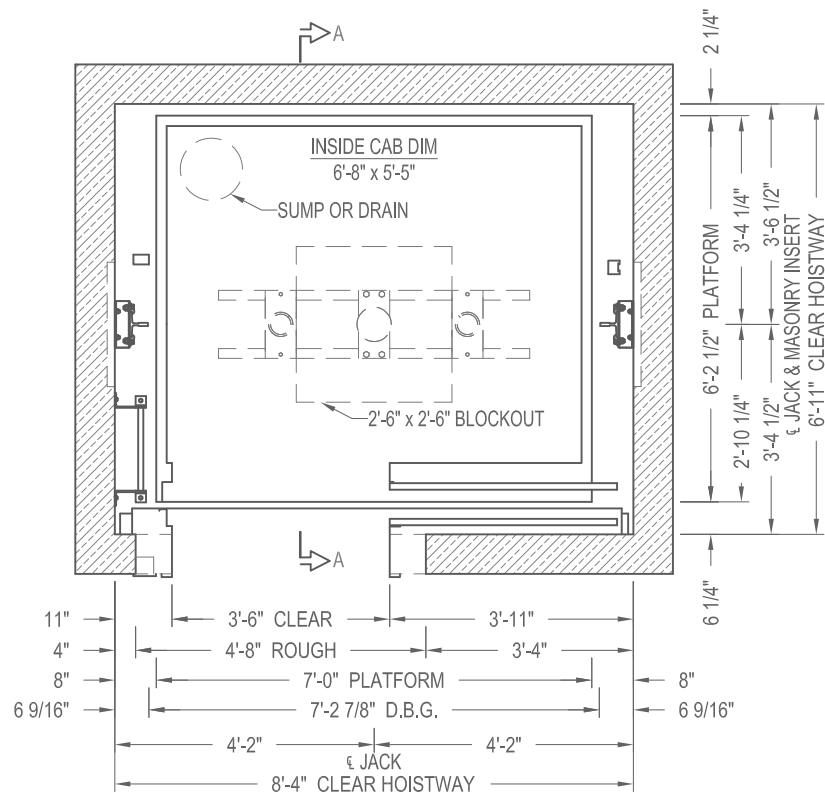


SECTION A-A  
NOT TO SCALE



CENTER PARTING HOISTWAY PLAN



SINGLE SPEED HOISTWAY PLAN

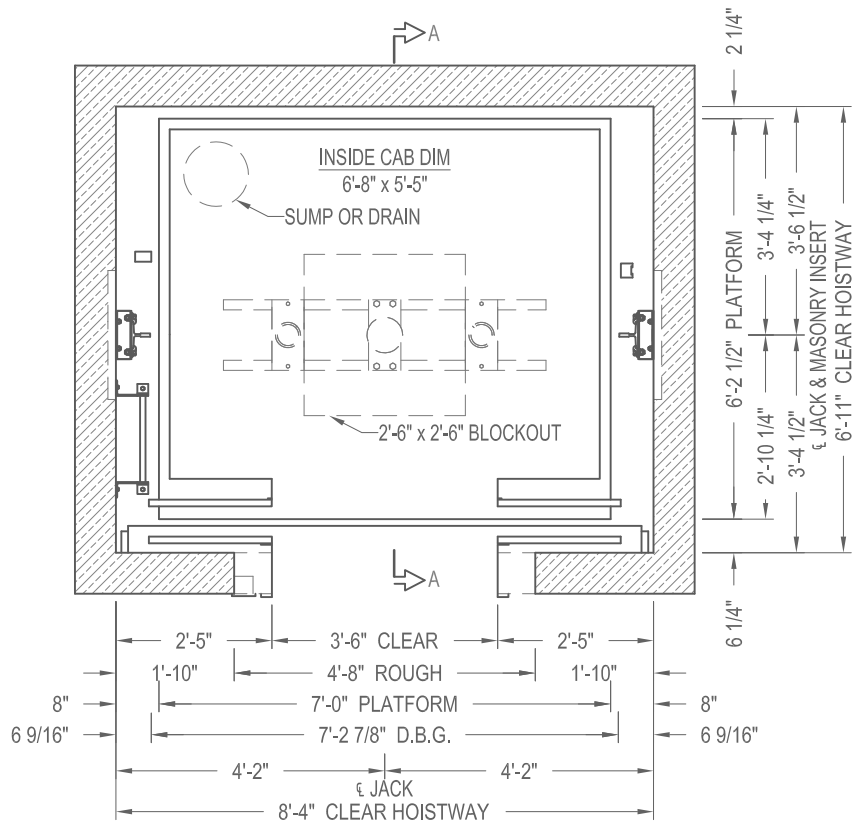


PASSENGER IN-GROUND  
ELEVATION & PLAN VIEW

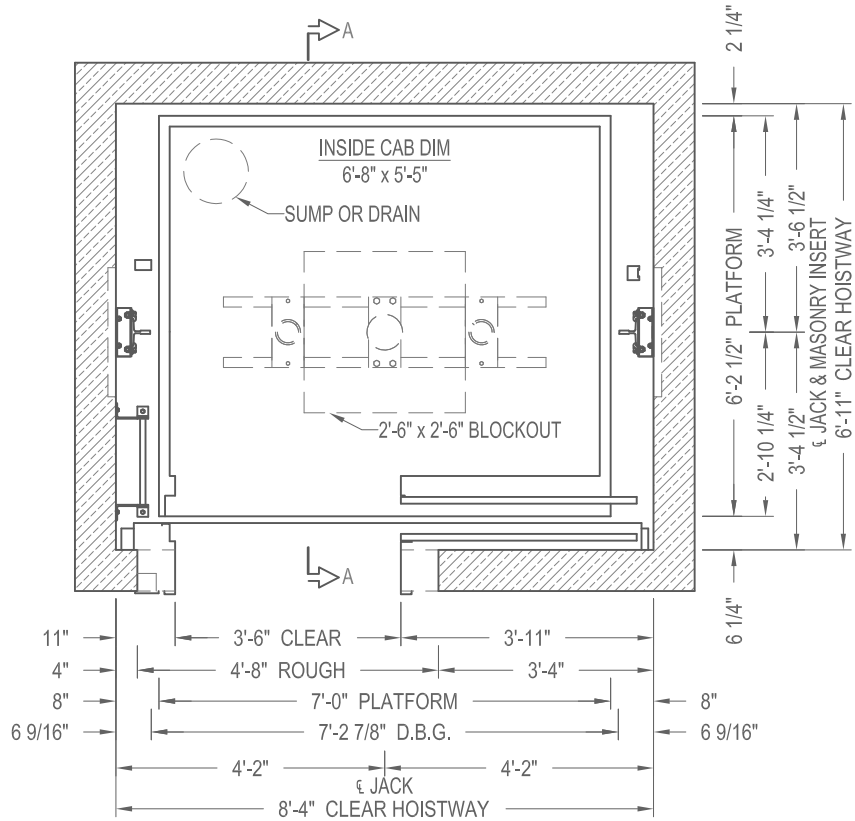
CAPACITY 3500 lbs.

35IGSS1E14

SINGLE SLIDE & CENTER PARTING



CENTER PARTING HOISTWAY PLAN



SINGLE SPEED HOISTWAY PLAN

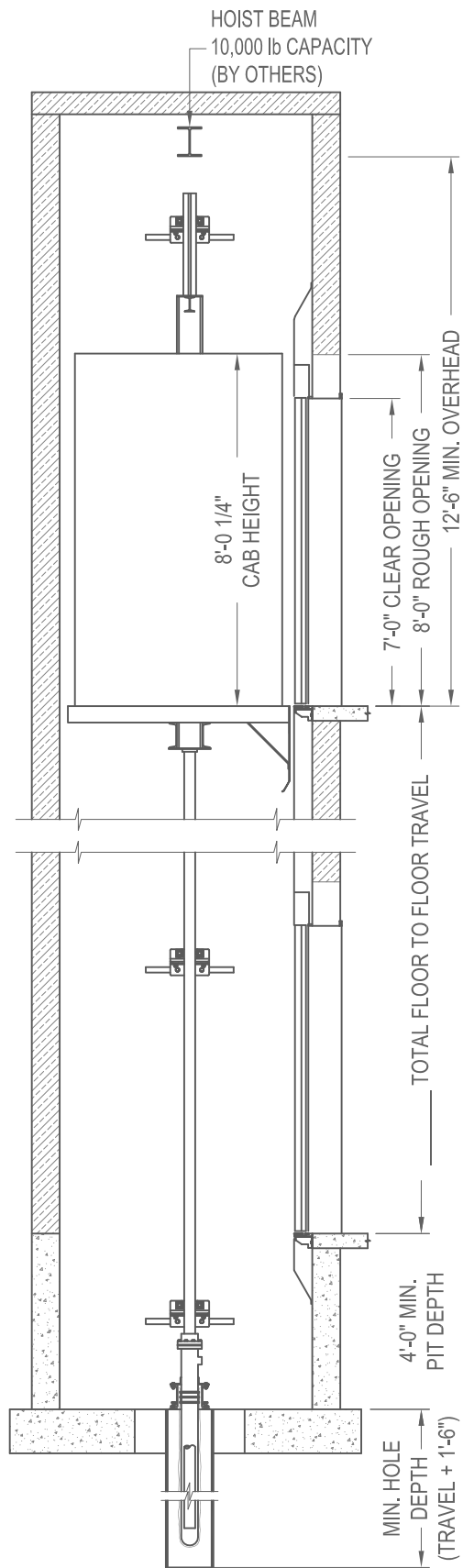


PASSENGER IN-GROUND  
PLAN VIEW

CAPACITY 3500 lbs.

35IGSS1E14

SINGLE SLIDE & CENTER PARTING



SECTION A-A  
NOT TO SCALE



PASSENGER IN-GROUND  
ELEVATION VIEW

CAPACITY 3500 lbs.

35IGSS1E14

SINGLE SLIDE & CENTER PARTING