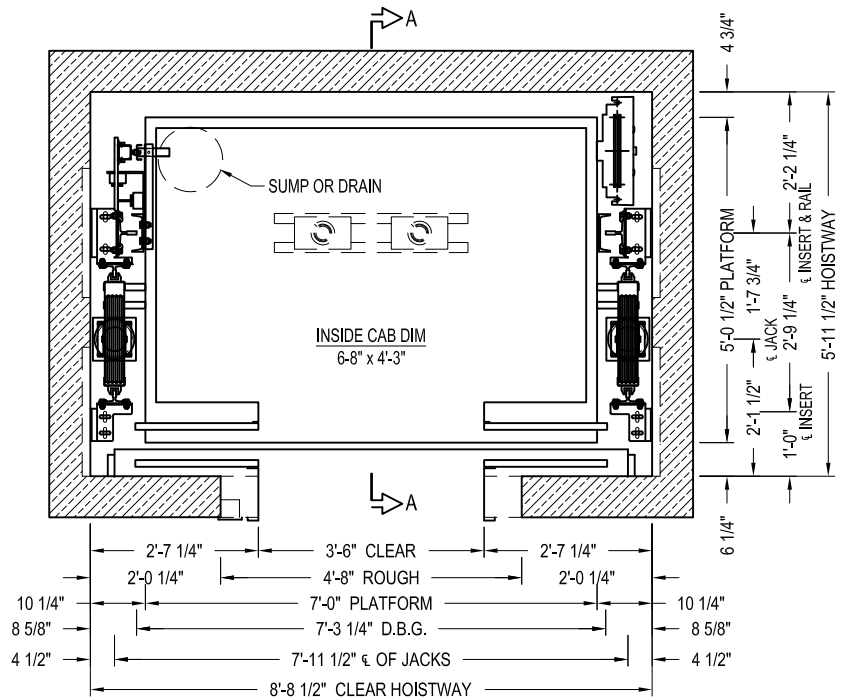
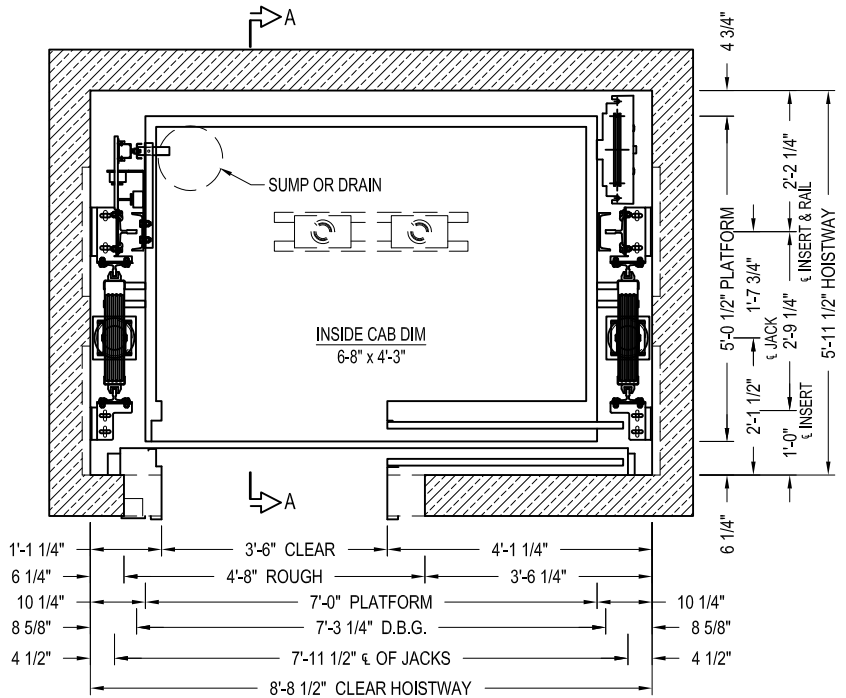


SECTION A-A
NOT TO SCALE



CENTER PARTING HOISTWAY PLAN



SINGLE SPEED HOISTWAY PLAN

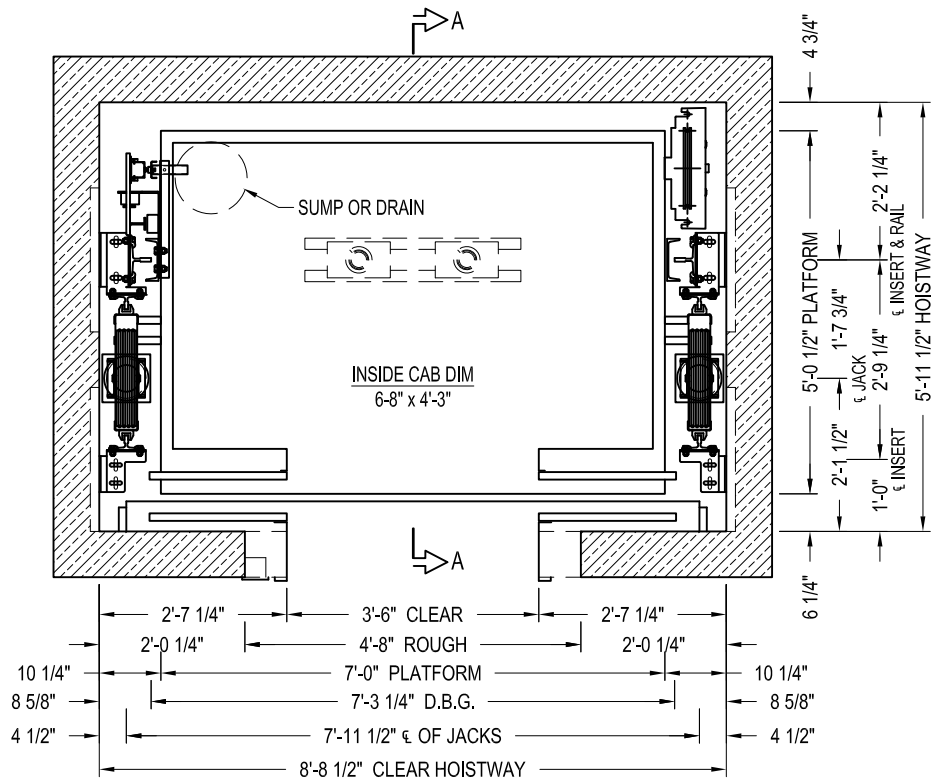


PASSENGER ROPED HYDRO
ELEVATION & PLAN VIEW

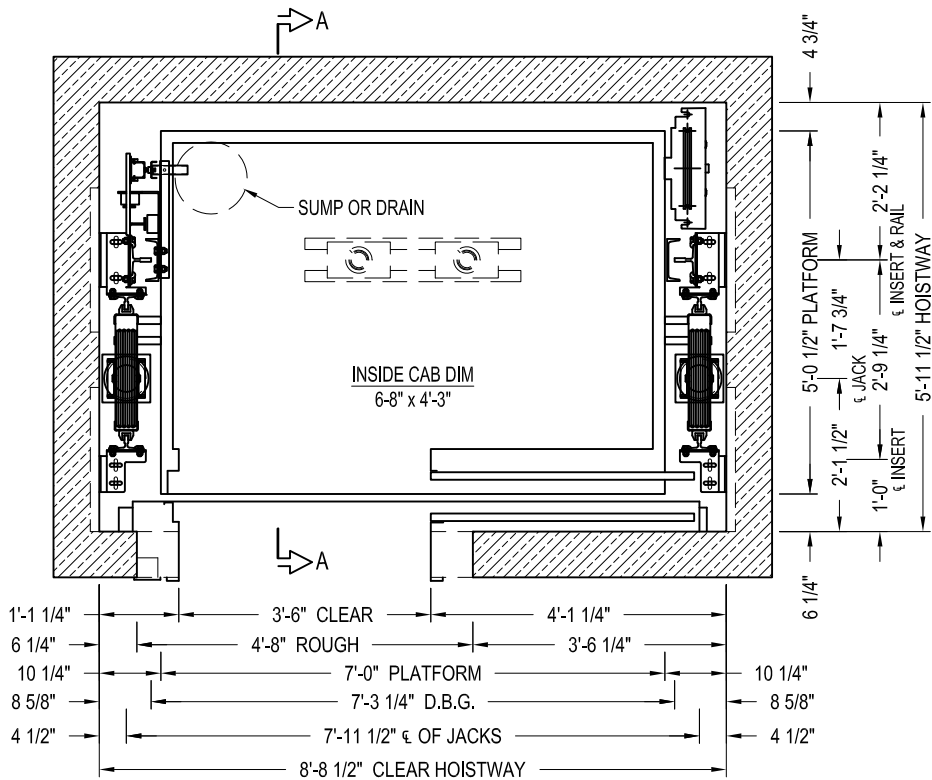
CAPACITY 2500 lbs.

25RHSS1E14

SINGLE SLIDE & CENTER PARTING



CENTER PARTING HOISTWAY PLAN



SINGLE SPEED HOISTWAY PLAN

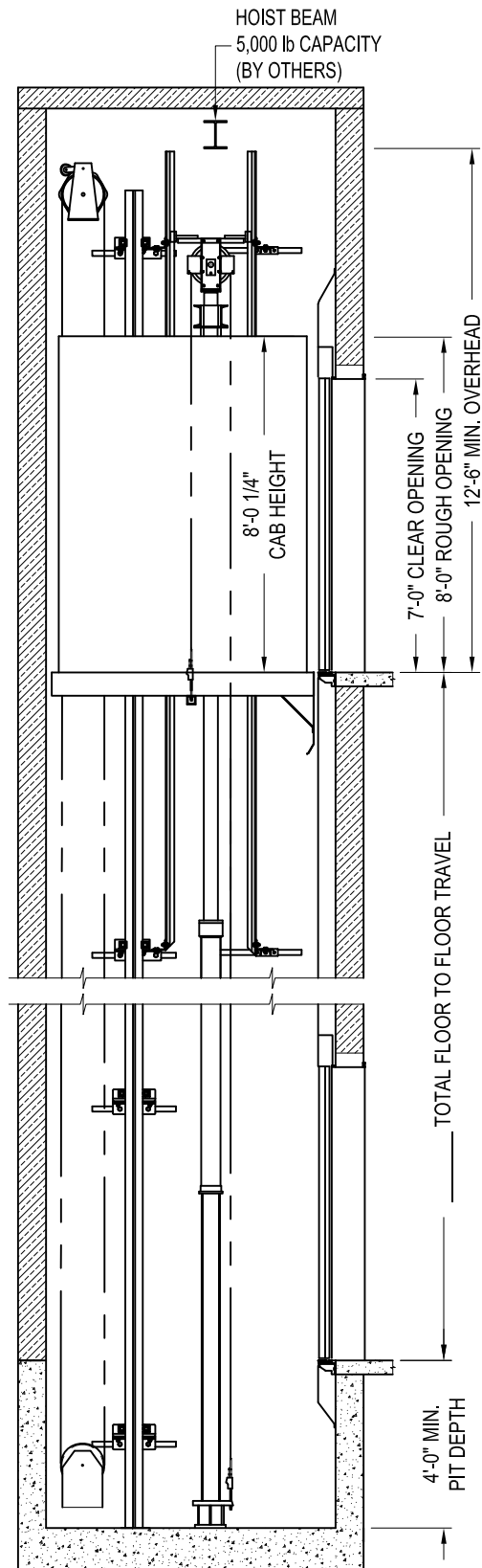


PASSENGER ROPED HYDRO
PLAN VIEW

CAPACITY 2500 lbs.

25RHSS1E14

SINGLE SLIDE & CENTER PARTING



SECTION A-A
NOT TO SCALE



PASSENGER ROPED HYDRO
ELEVATION VIEW

CAPACITY 2500 lbs.

25RHSS1E14

SINGLE SLIDE & CENTER PARTING