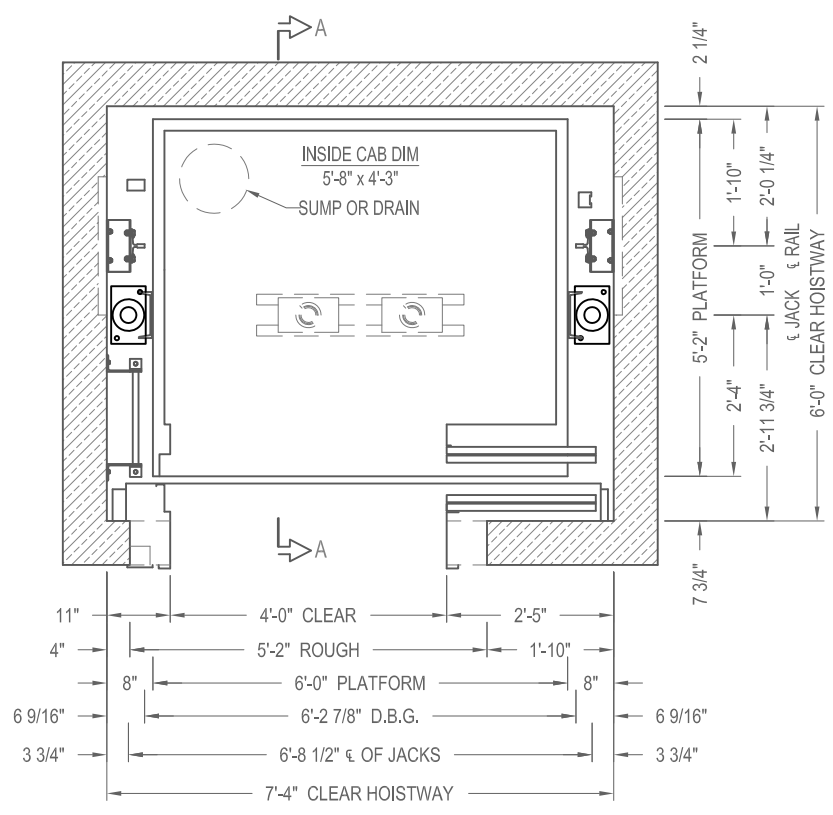


SECTION A-A  
NOT TO SCALE

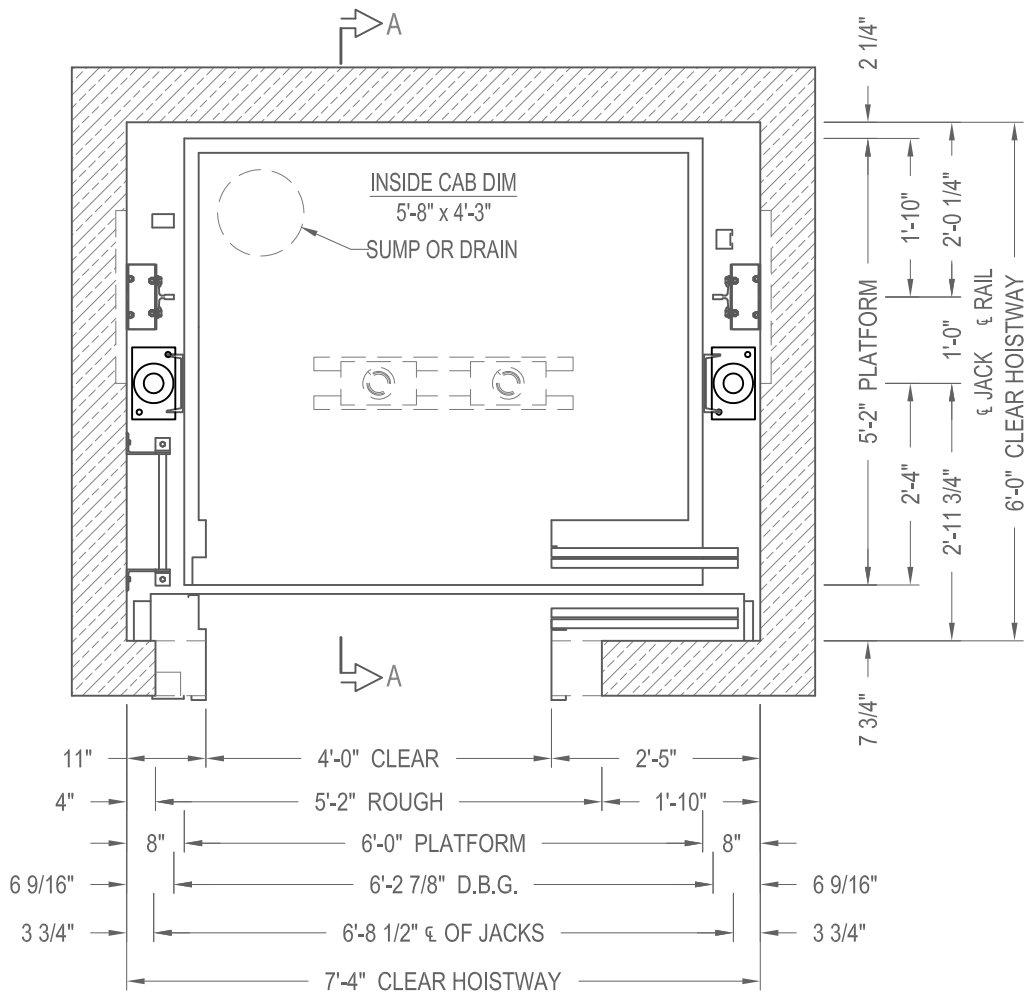


TWO SPEED HOISTWAY PLAN



PASSENGER HOLELESS  
ELEVATION & PLAN VIEW

CAPACITY 2000 lbs.	20HLTS1E14
TWO SPEED	



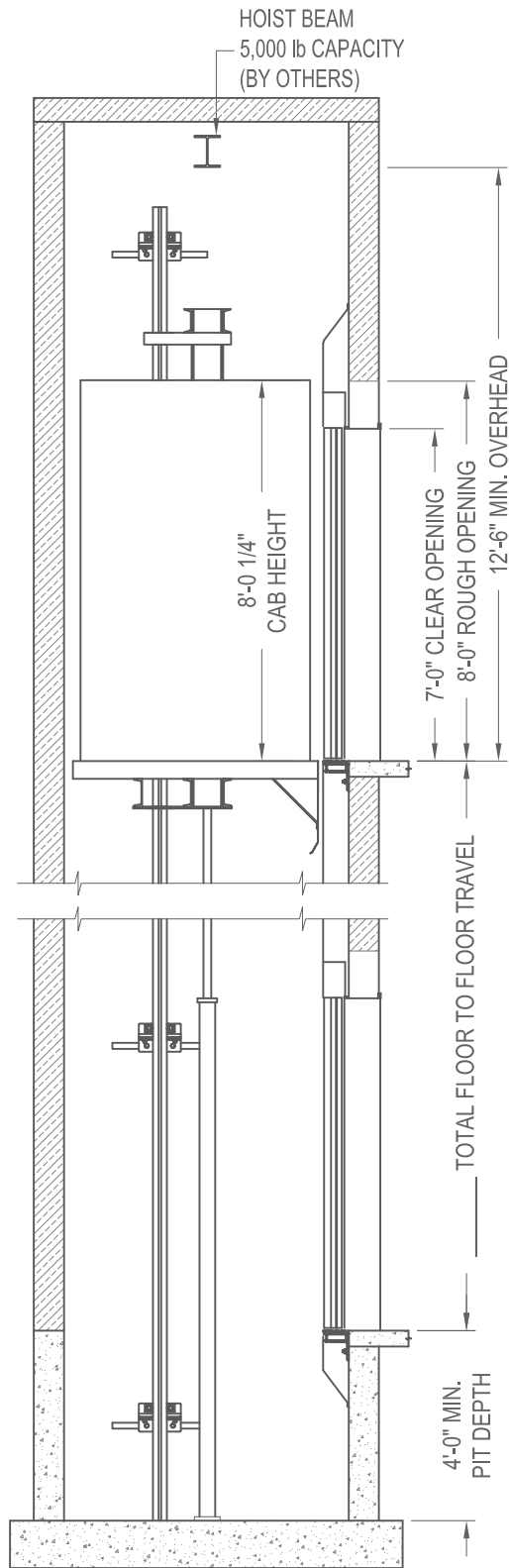
TWO SPEED HOISTWAY PLAN



PASSENGER HOLELESS  
PLAN VIEW

CAPACITY 2000 lbs.  
TWO SPEED

20HLTS1E14



SECTION A-A  
NOT TO SCALE



PASSENGER HOLELESS  
ELEVATION VIEW

CAPACITY 2000 lbs.

20HLTS1E14

TWO SPEED