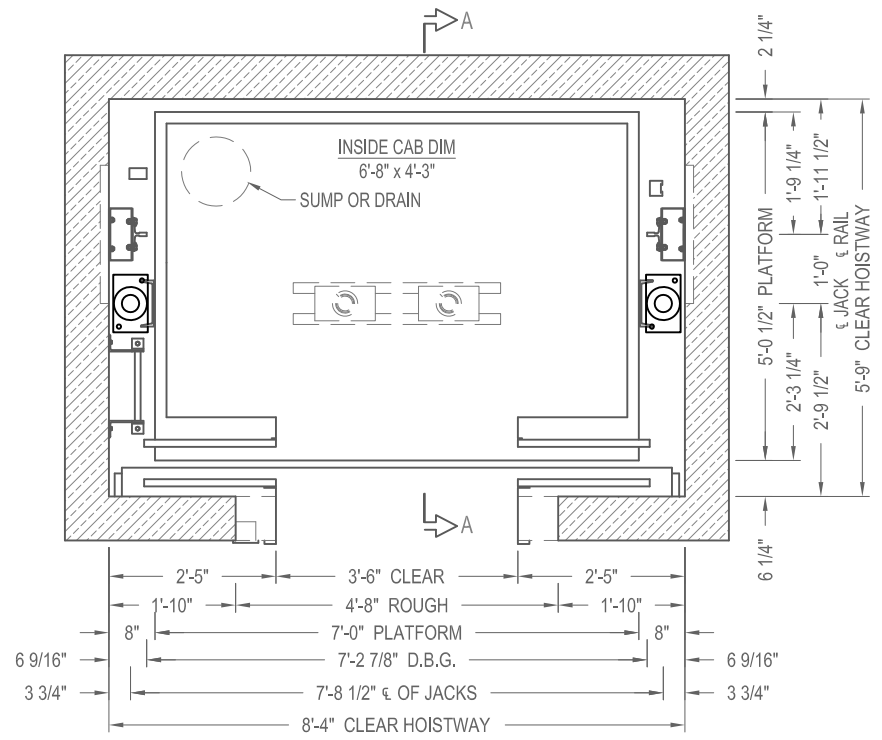
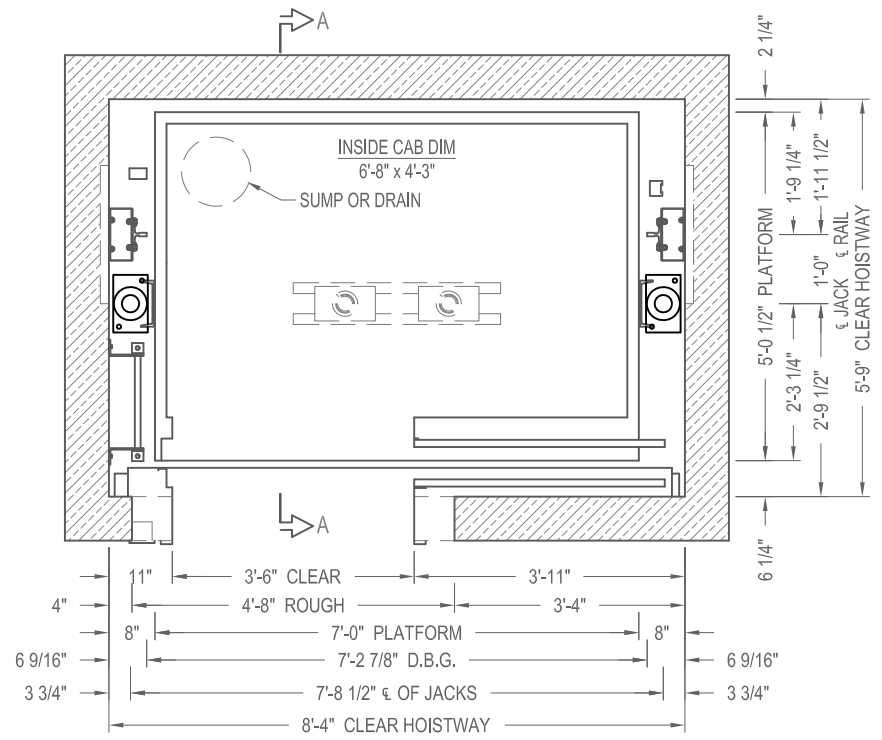


SECTION A-A  
NOT TO SCALE



CENTER PARTING HOISTWAY PLAN

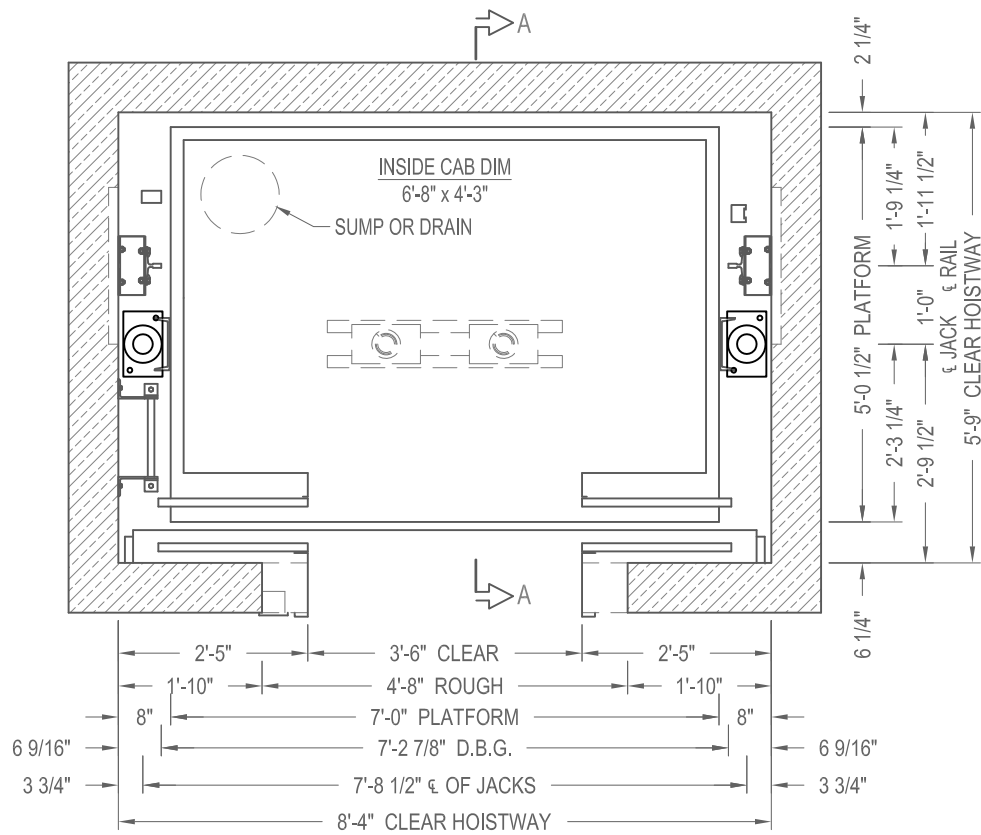


SINGLE SPEED HOISTWAY PLAN

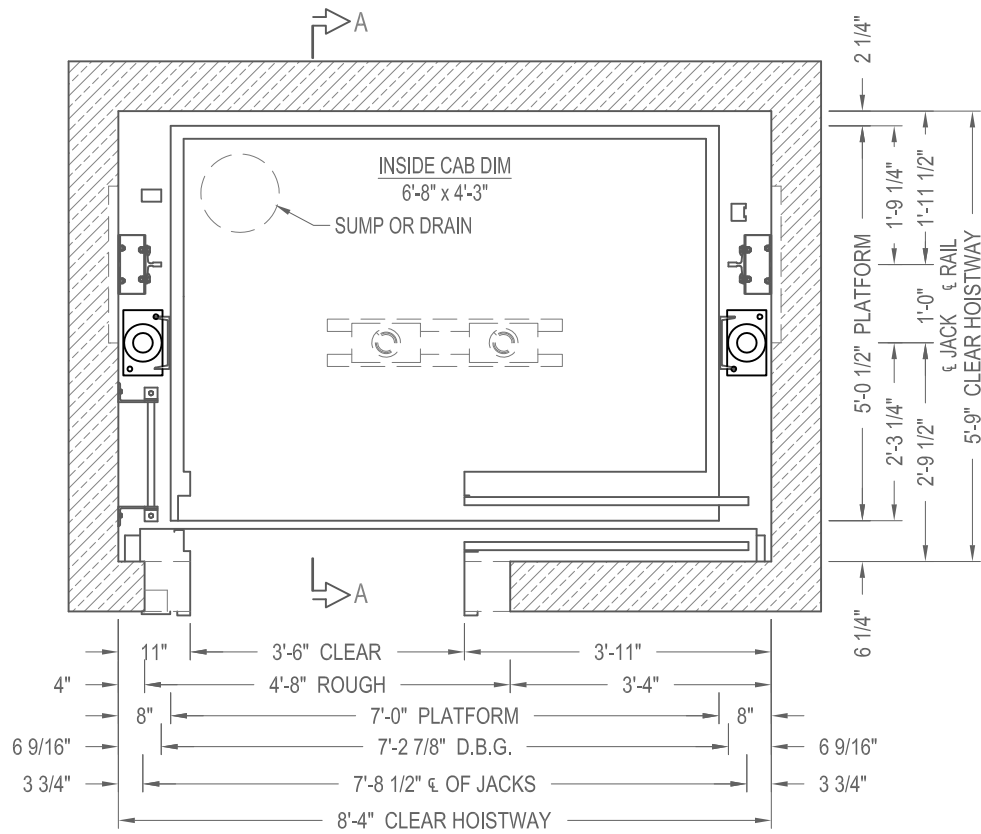


PASSENGER HOLELESS  
ELEVATION & PLAN VIEW

CAPACITY 2500 lbs. 25HLSS1E14  
SINGLE SLIDE & CENTER PARTING



CENTER PARTING HOISTWAY PLAN



SINGLE SPEED HOISTWAY PLAN

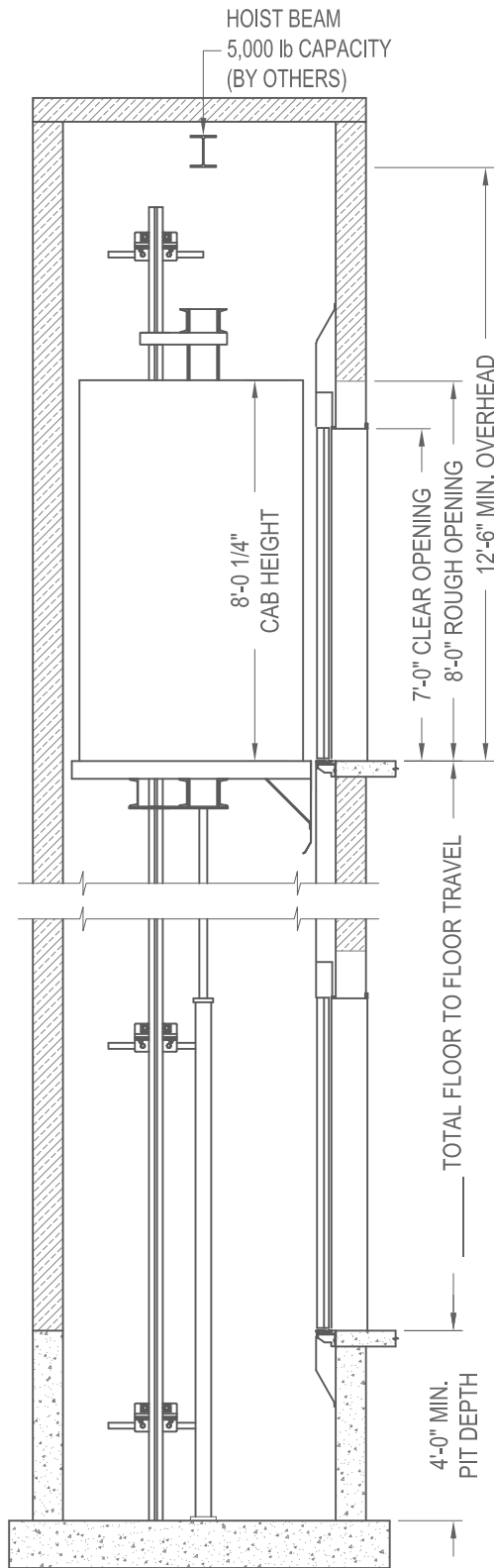


PASSENGER HOLELESS  
PLAN VIEW

CAPACITY 2500 lbs.

25HLSS1E14

SINGLE SLIDE & CENTER PARTING



SECTION A-A  
NOT TO SCALE



PASSENGER HOLELESS  
ELEVATION VIEW

CAPACITY 2500 lbs.

25HLSS1E14

SINGLE SLIDE & CENTER PARTING