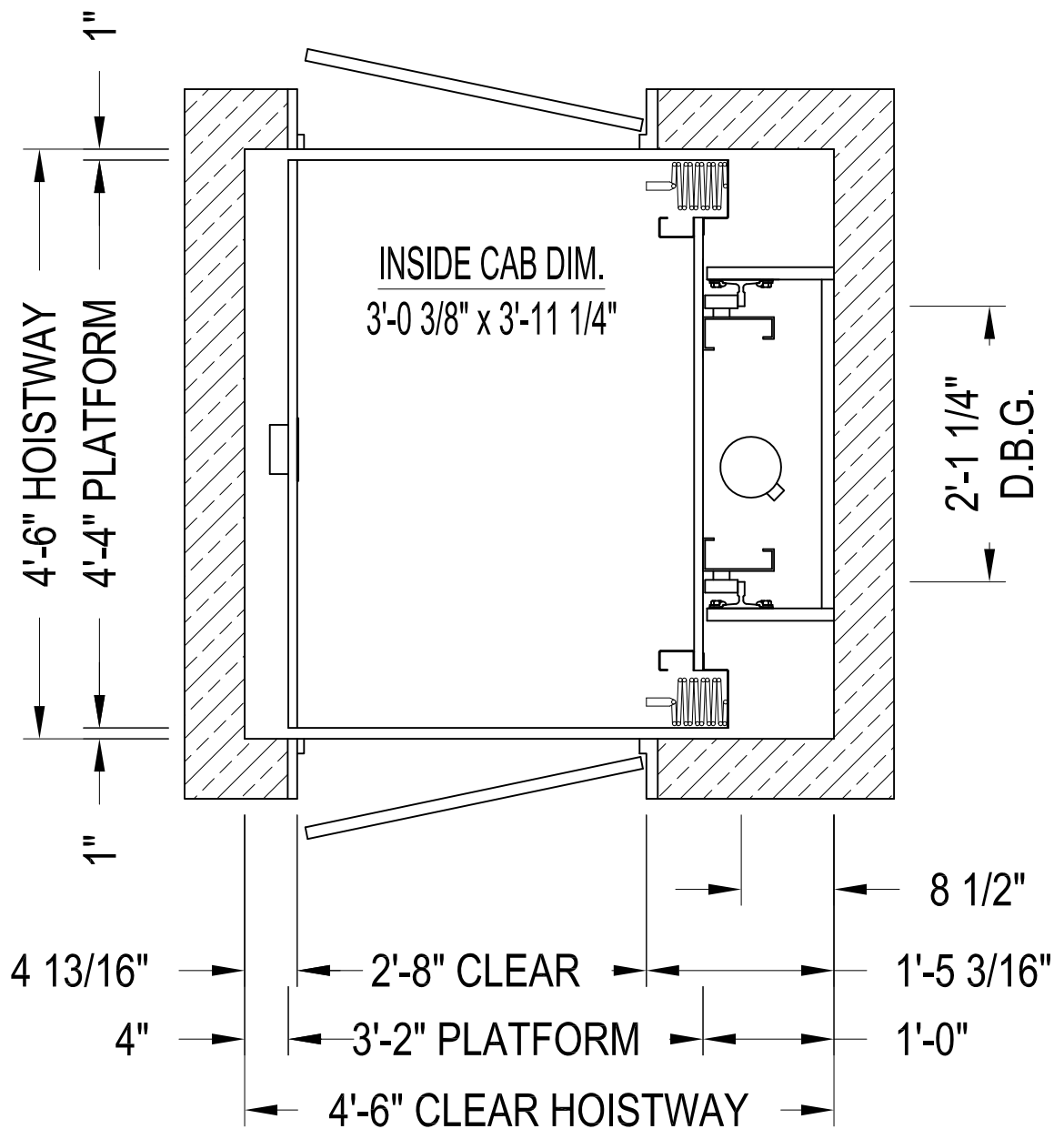


HOME ELEVATOR
ELEVATION & PLAN VIEW

CAPACITY 700 lbs.

7RHW2E14

WOODFOLD



HOISTWAY PLAN



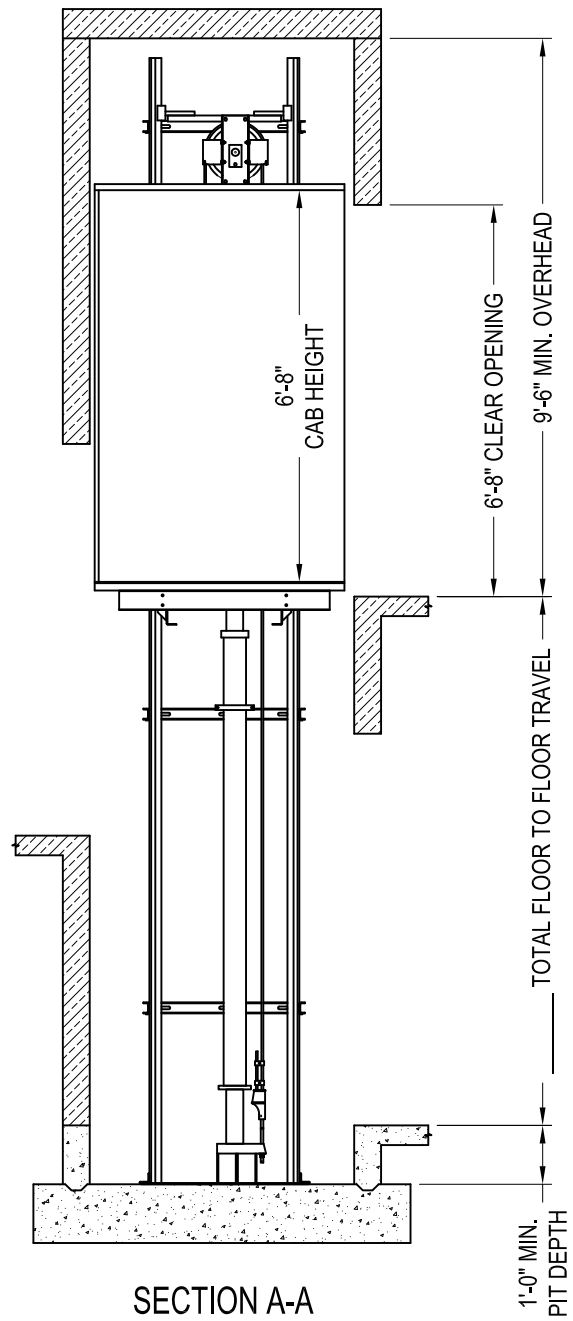
HOME ELEVATOR

PLAN VIEW

CAPACITY 700 lbs.

7RHW2E14

WOODFOLD



SECTION A-A



HOME ELEVATOR
ELEVATION VIEW

CAPACITY 700 lbs.
WOODFOLD

7RHW2E14