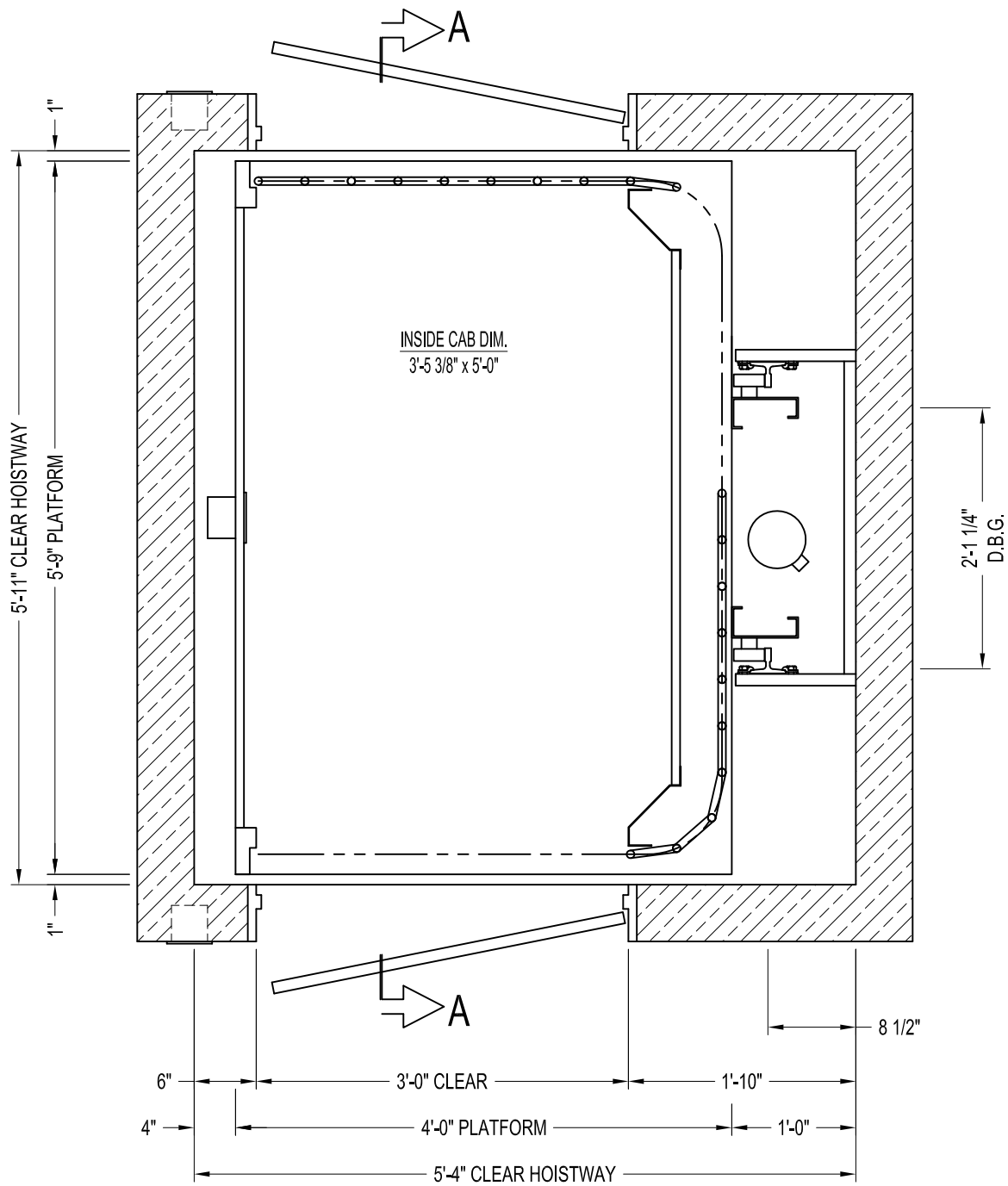


HOME ROPED HYDRAULIC  
ELEVATION & PLAN VIEW

CAPACITY 900 lbs.

9RHEP2E14

ENTERPRISE



HOISTWAY PLAN

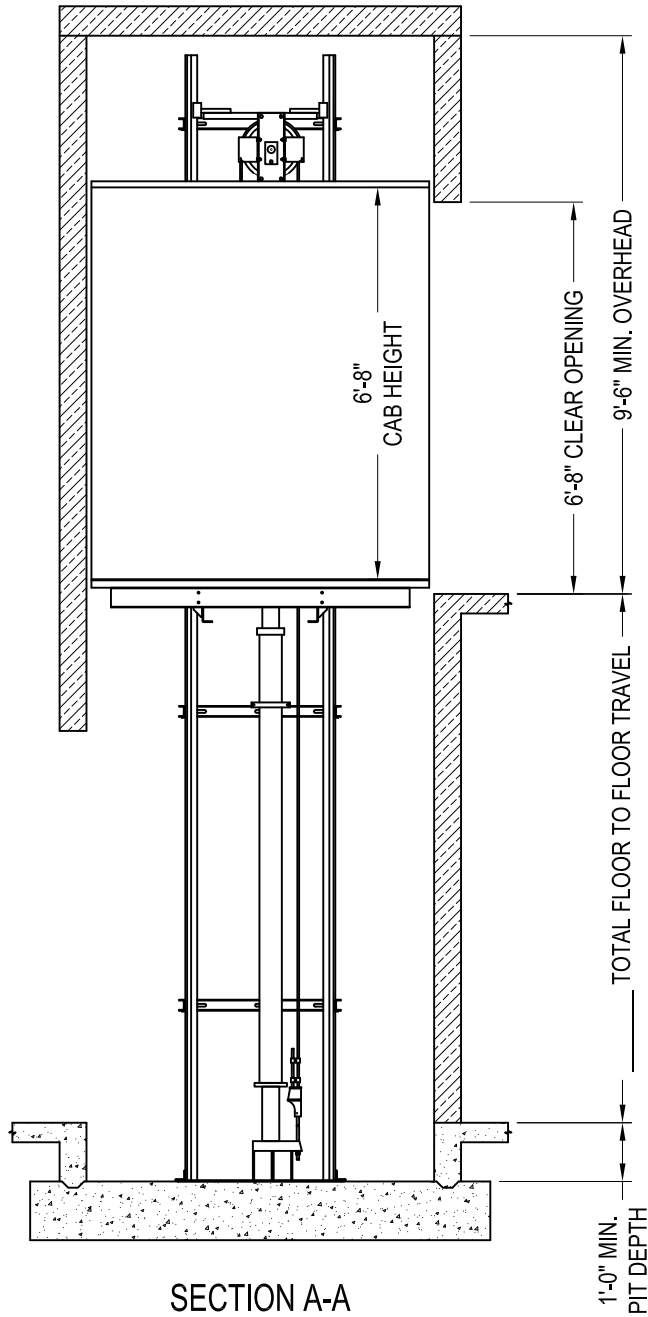


HOME ROPED HYDRAULIC  
PLAN VIEW

CAPACITY 900 lbs.

9RHEP2E14

ENTERPRISE



HOME ROPED HYDRAULIC  
ELEVATION VIEW

CAPACITY 900 lbs.	9RHEP2E14
ENTERPRISE	