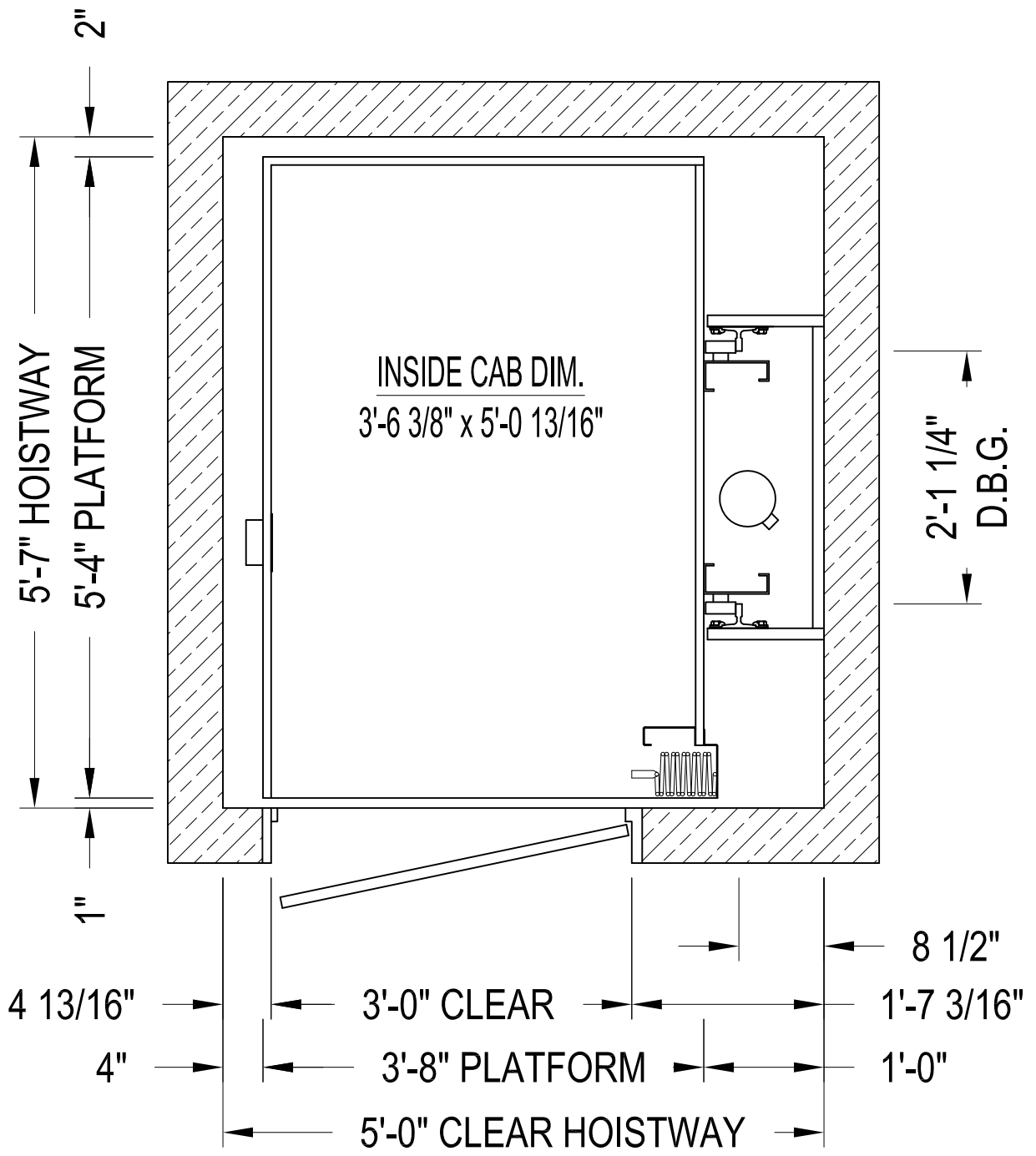


HOME ELEVATOR  
ELEVATION & PLAN VIEW

CAPACITY 900 lbs.

9RHW1E14

WOODFOLD

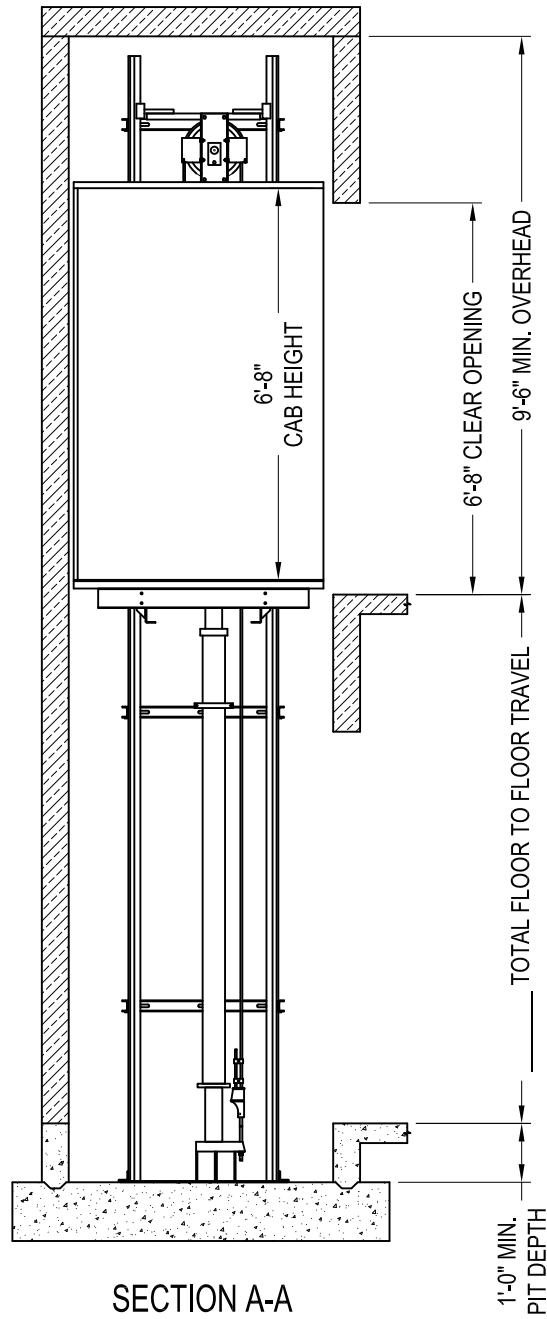


# HOISTWAY PLAN



HOME ELEVATOR  
PLAN VIEW

CAPACITY 900 lbs.    9RHW1E14  
WOODFOLD



HOME ELEVATOR  
ELEVATION VIEW

CAPACITY 900 lbs.

9RHW1E14

WOODFOLD