

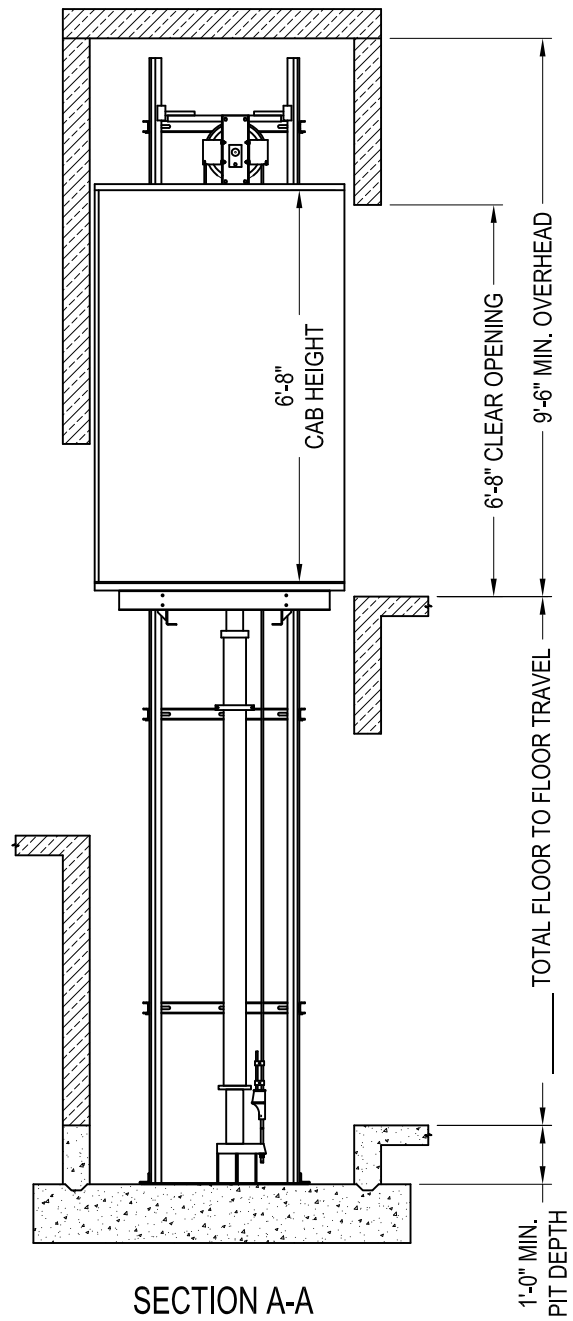
HOISTWAY PLAN



HOME ELEVATOR
PLAN VIEW

CAPACITY 900 lbs.
WOODFOLD

9RHW2E14



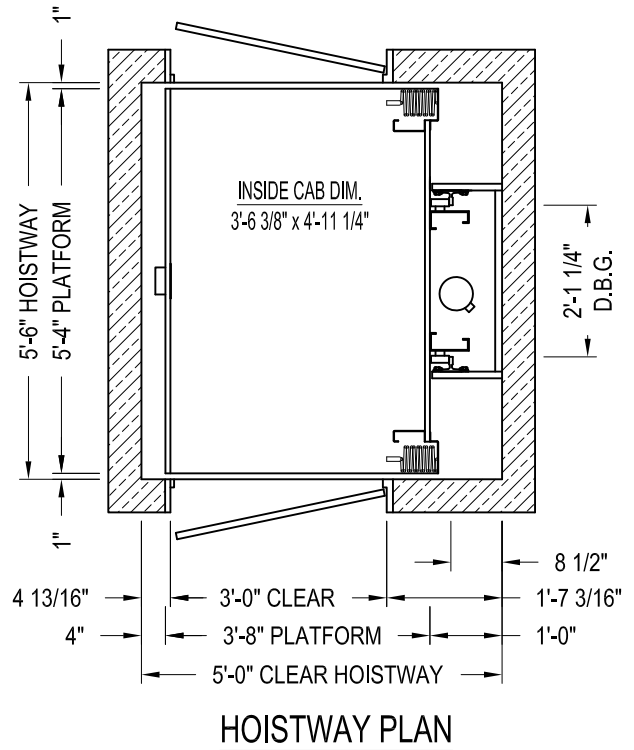
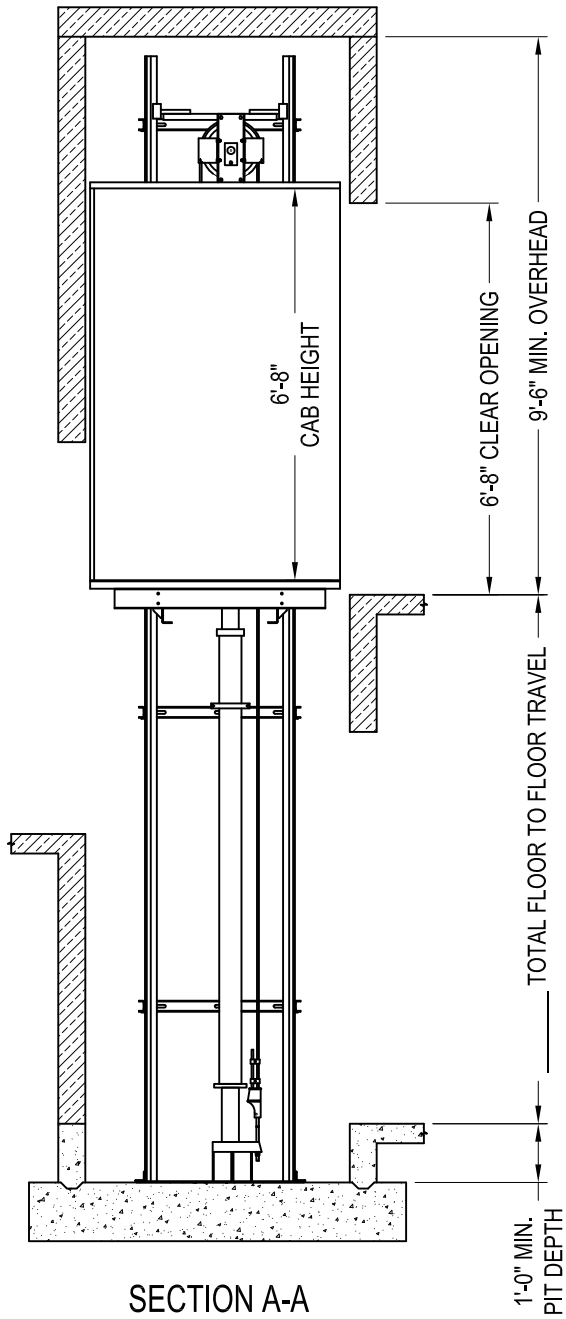
SECTION A-A



HOME ELEVATOR
ELEVATION VIEW

CAPACITY 900 lbs.
WOODFOLD

9RHW2E14



HOME ELEVATOR
ELEVATION & PLAN VIEW

CAPACITY 900 lbs. 9RHW2E14
WOODFOLD