

*- DIMENSIONS VARY FOR DOOR SIZE, GATE TYPE, SPEED, ETC. DIMENSIONS GIVEN ARE BASED ON 7'-8" INSIDE CAB.

SECTION A-A
NOT TO SCALE

HOISTWAY PLAN

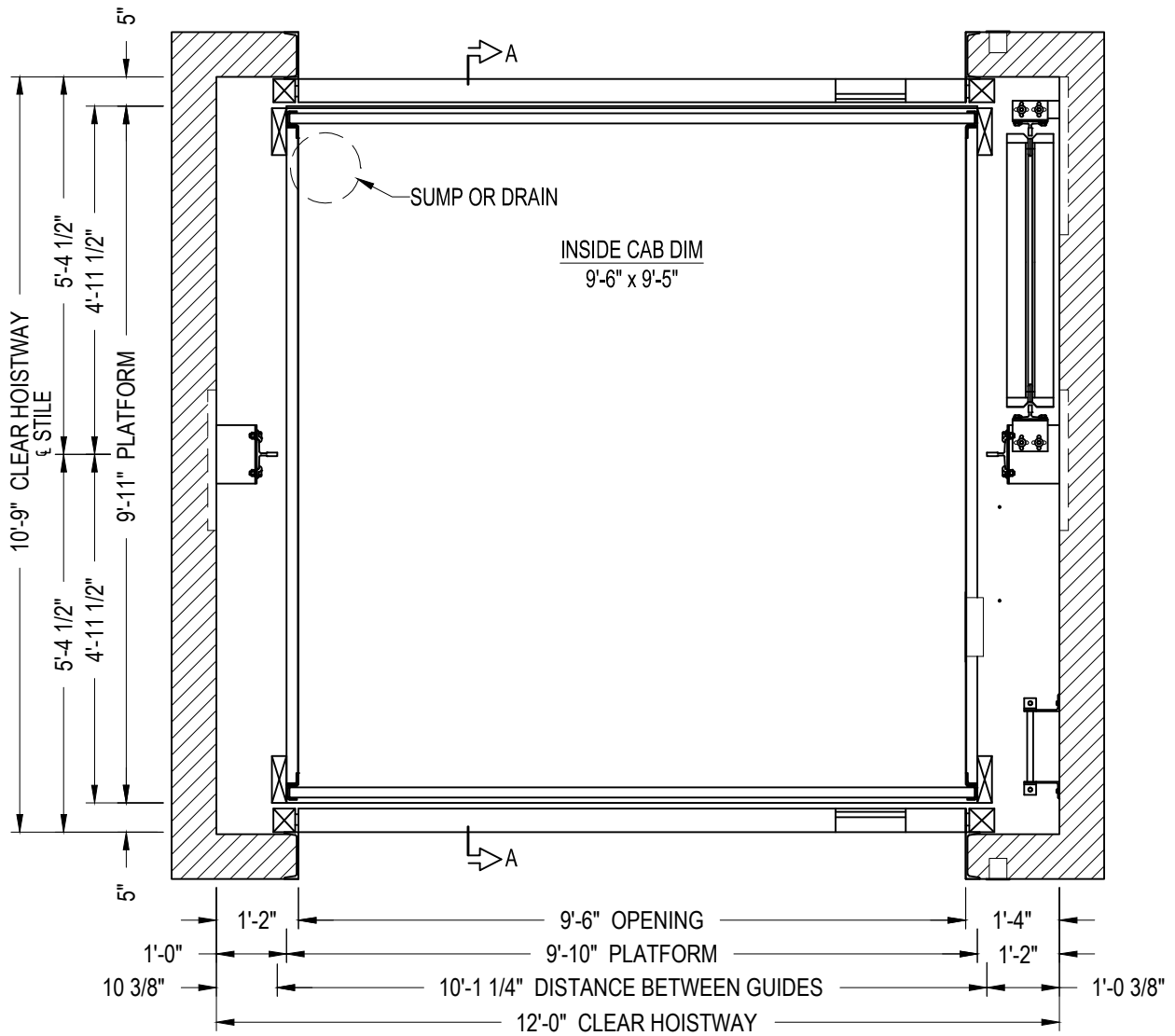


TRACTION FREIGHT
ELEVATION & PLAN VIEW

CAPACITY 6000 lbs.

60.TF.C.2E.14

VERTICAL BI-PARTING



HOISTWAY PLAN

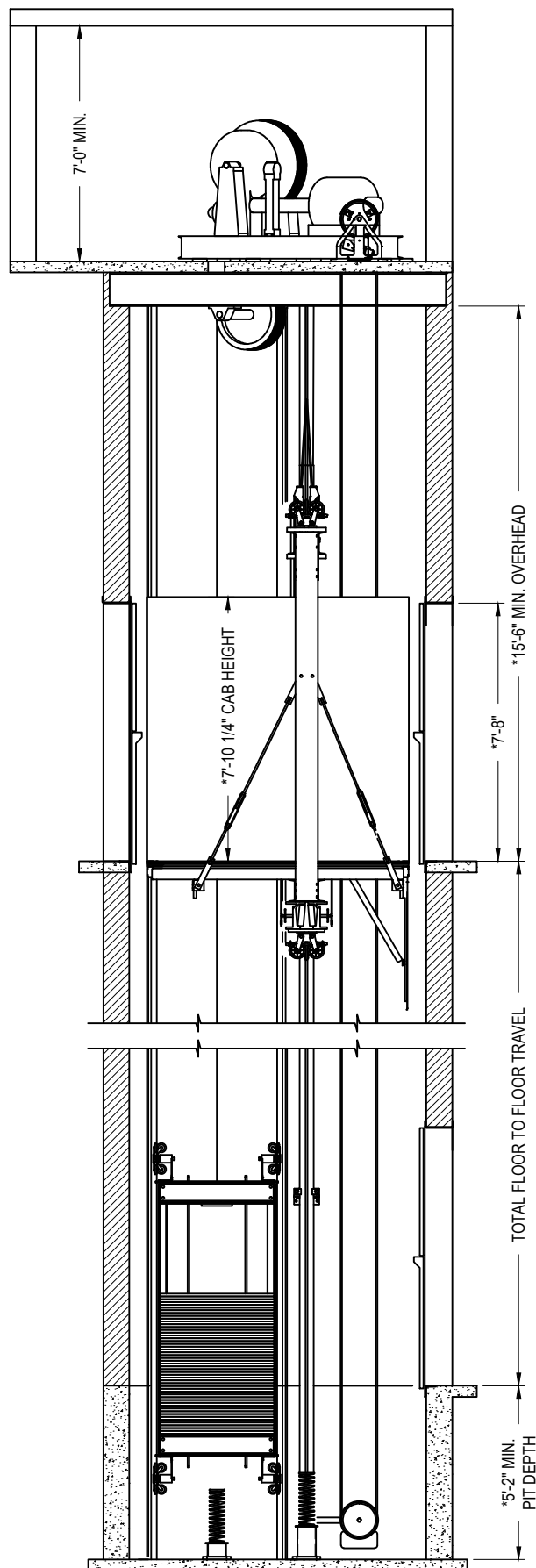


TRACTION FREIGHT
 PLAN VIEW

CAPACITY 6000 lbs.

60.TF.C.2E.14

VERTICAL BI-PARTING



*- DIMENSIONS VARY FOR DOOR SIZE,
GATE TYPE, SPEED, ETC. DIMENSIONS
GIVEN ARE BASED ON 7'-8" INSIDE CAB.

SECTION A-A
NOT TO SCALE

TRACTION FREIGHT
ELEVATION VIEW

CAPACITY 6000 lbs.

60.TF.C.2E.14

VERTICAL BI-PARTING

