

*- DIMENSIONS VARY FOR DOOR SIZE, GATE TYPE, SPEED, ETC. DIMENSIONS GIVEN ARE BASED ON 7'-8" INSIDE CAB.

SECTION A-A
NOT TO SCALE

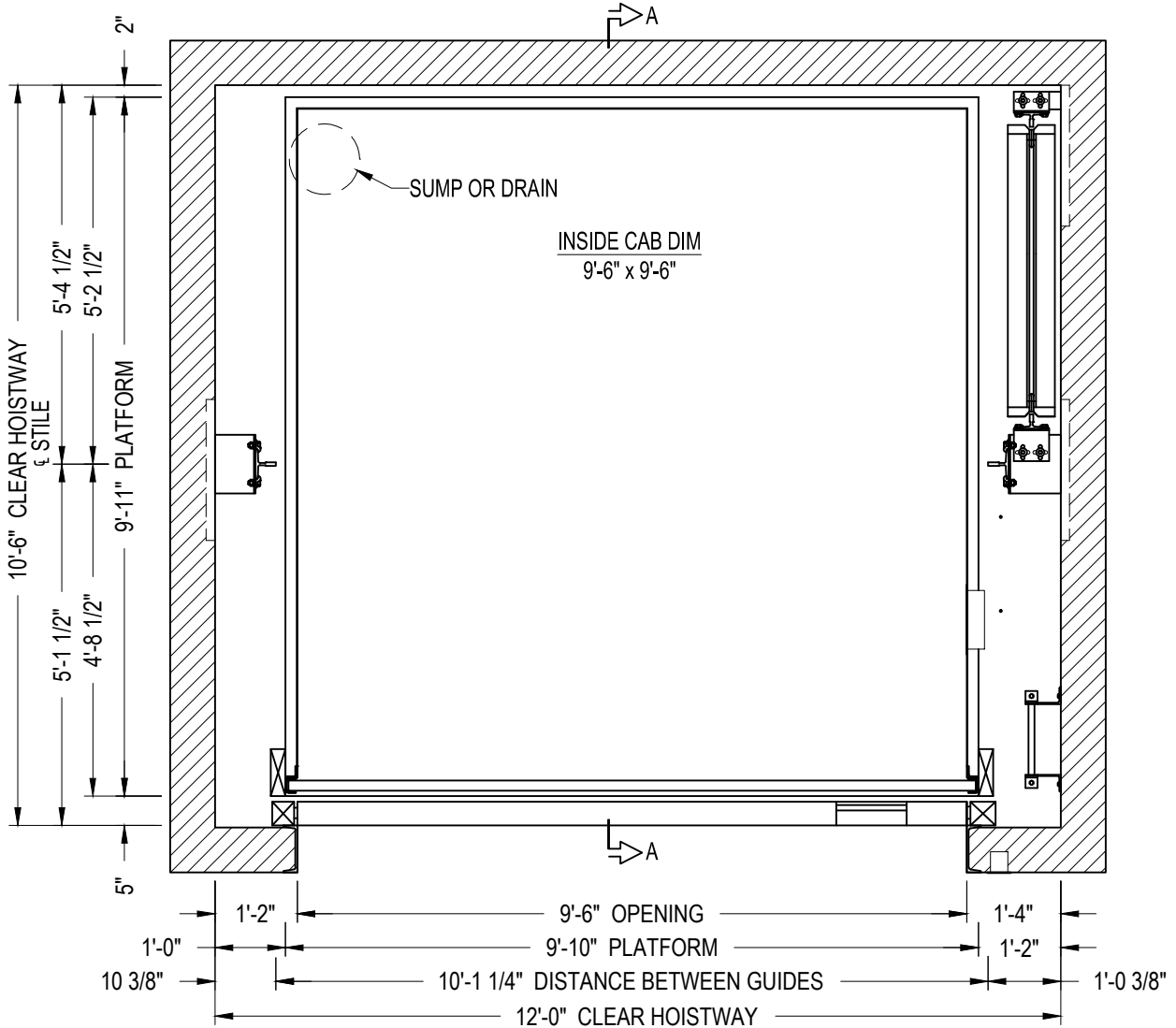


TRACTION FREIGHT
ELEVATION & PLAN VIEW

CAPACITY 6000 lbs.

60.TF.C.1E.14

VERTICAL BI-PARTING

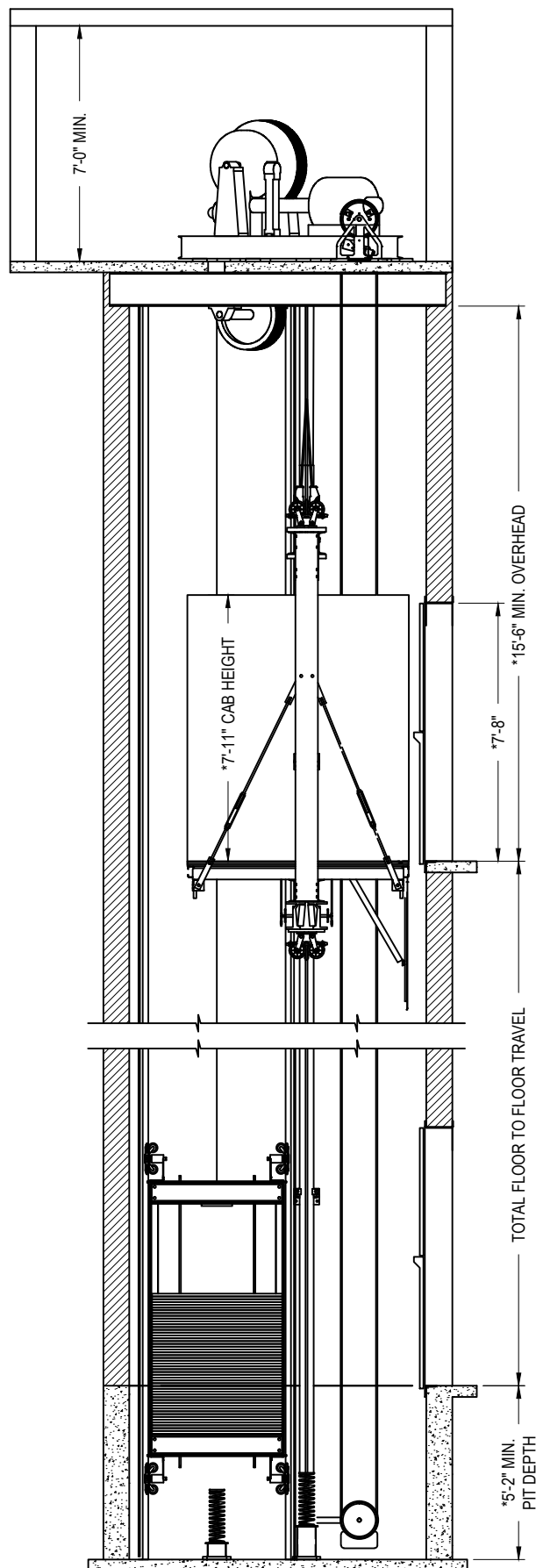


HOISTWAY PLAN



TRACTION FREIGHT
PLAN VIEW

CAPACITY 6000 lbs.	60.TF.C.1E.14
VERTICAL BI-PARTING	



*- DIMENSIONS VARY FOR DOOR SIZE,
GATE TYPE, SPEED, ETC. DIMENSIONS
GIVEN ARE BASED ON 7'-8" INSIDE CAB.

SECTION A-A
NOT TO SCALE



TRACTION FREIGHT
ELEVATION VIEW

CAPACITY 6000 lbs.

60.TF.C.1E.14

VERTICAL BI-PARTING