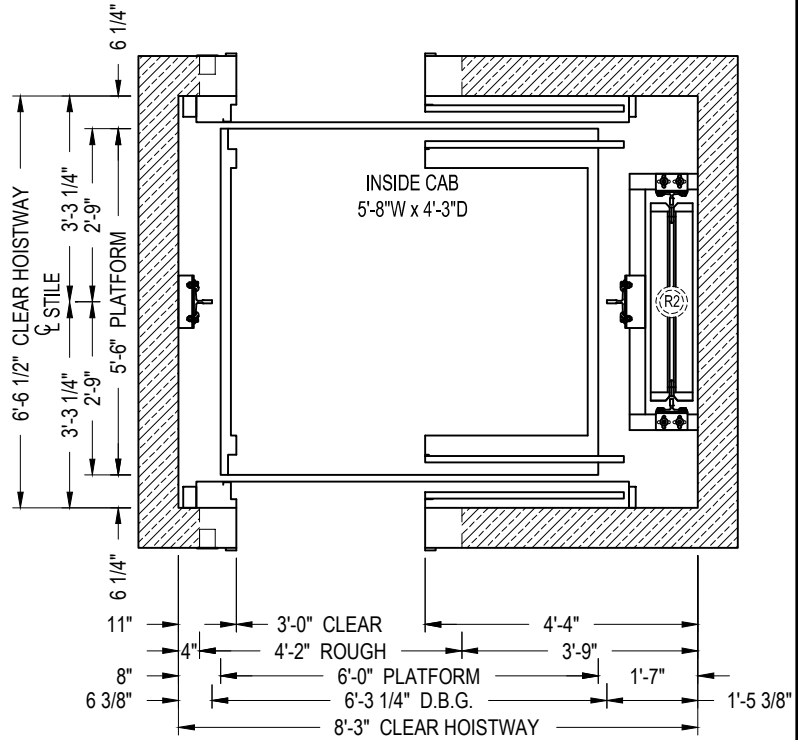


SECTION A-A  
NOT TO SCALE

\* CONSULT LITERATURE FOR SPEEDS EXCEEDING 200 fpm



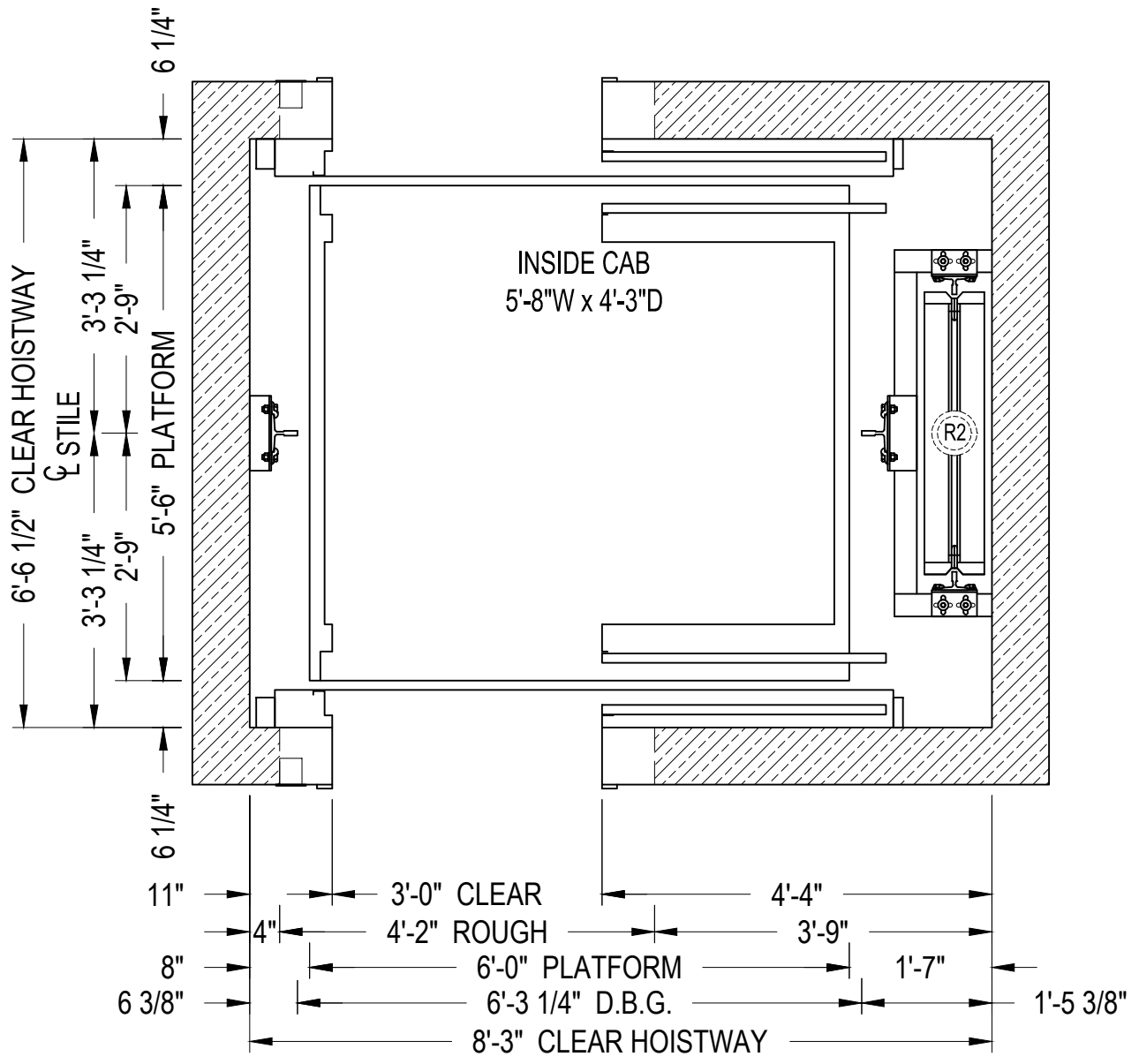
SINGLE SPEED HOISTWAY PLAN



GEARED TRACTION  
ELEVATION & PLAN VIEW

CAPACITY 2000 lbs.  
SINGLE SLIDE

20GTSS2E14



SINGLE SPEED HOISTWAY PLAN



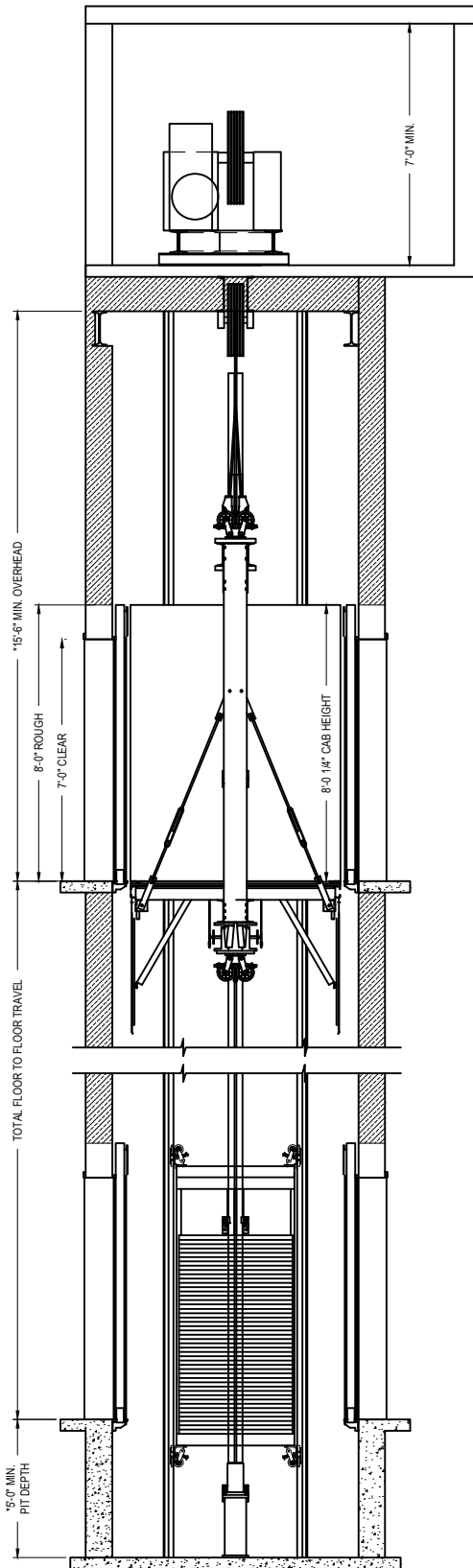
GEARED TRACTION

CAPACITY 2000 lbs.

20GTSS2E14

PLAN VIEW

SINGLE SLIDE



SECTION A-A  
NOT TO SCALE

\* CONSULT LITERATURE FOR SPEEDS EXCEEDING 200 fpm



GEARED TRACTION  
ELEVATION VIEW

CAPACITY 2000 lbs.

20GTSS2E14

SINGLE SLIDE