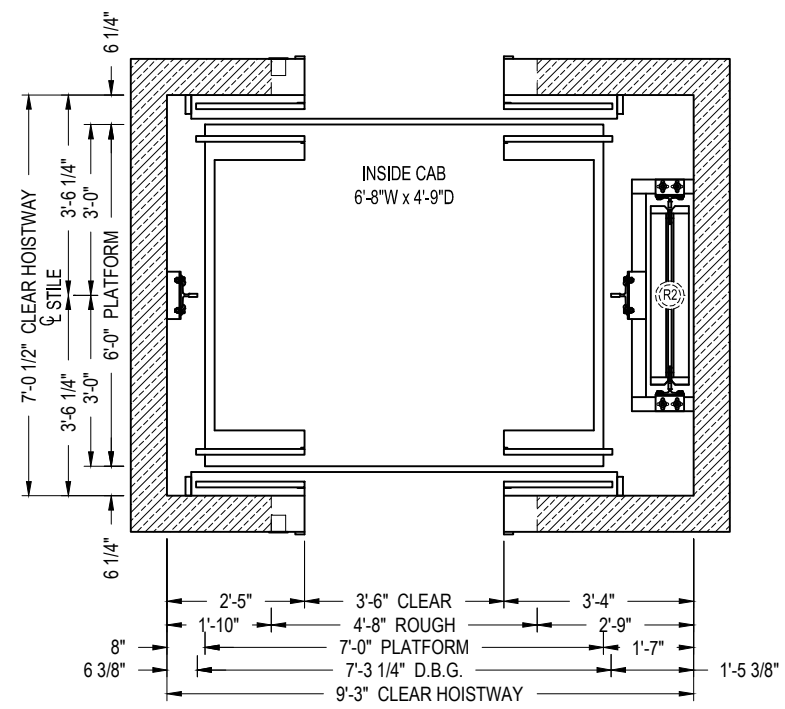
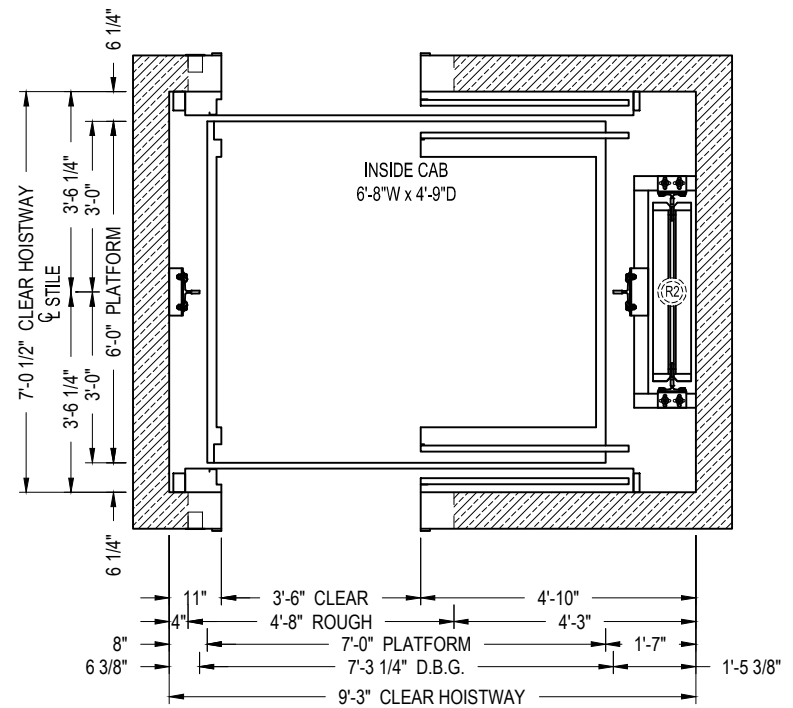


SECTION A-A  
NOT TO SCALE

\* CONSULT LITERATURE FOR SPEEDS EXCEEDING 200 fpm



CENTER PARTING HOISTWAY PLAN



SINGLE SPEED HOISTWAY PLAN

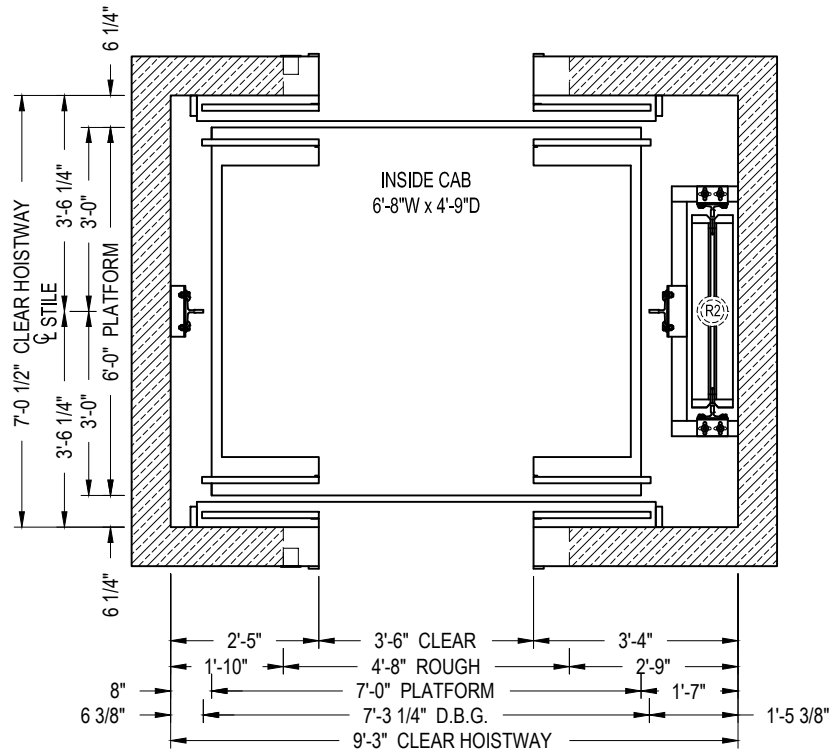


GEARED TRACTION  
ELEVATION & PLAN VIEW

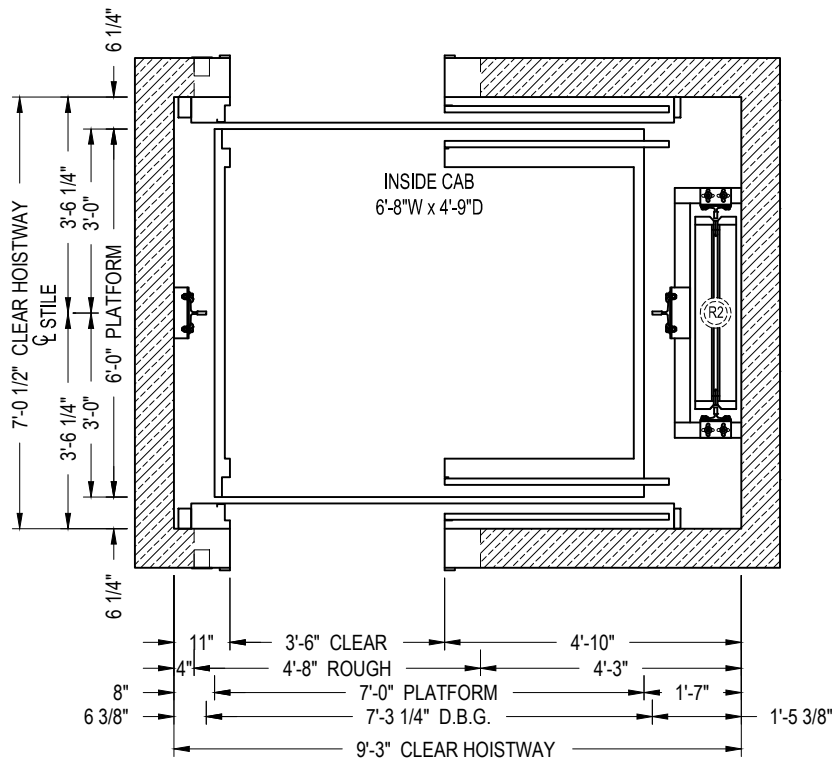
CAPACITY 3000 lbs.

30GTSS2E14

SINGLE SLIDE & CENTER PARTING



CENTER PARTING HOISTWAY PLAN



SINGLE SPEED HOISTWAY PLAN

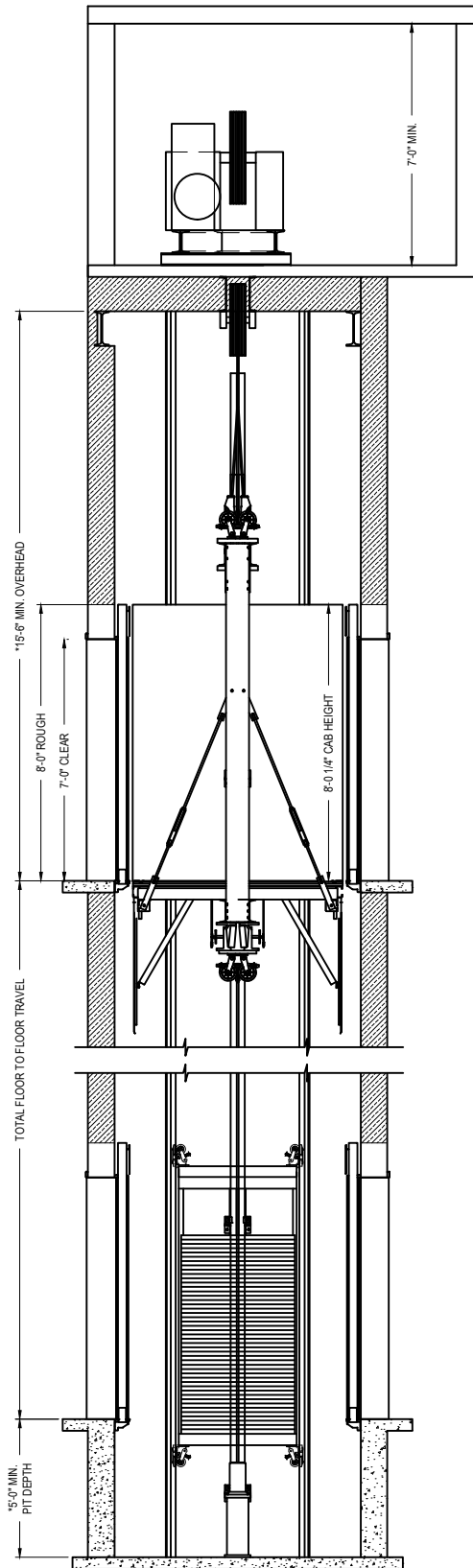


**GEARED TRACTION**  
**PLAN VIEW**

**CAPACITY 3000 lbs.**

**30GTSS2E14**

**SINGLE SLIDE & CENTER PARTING**



SECTION A-A  
NOT TO SCALE

\*- CONSULT LITERATURE FOR SPEEDS EXCEEDING 200 fpm



GEARED TRACTION  
ELEVATION VIEW

CAPACITY 3000 lbs.

30GTSS2E14

SINGLE SLIDE & CENTER PARTING