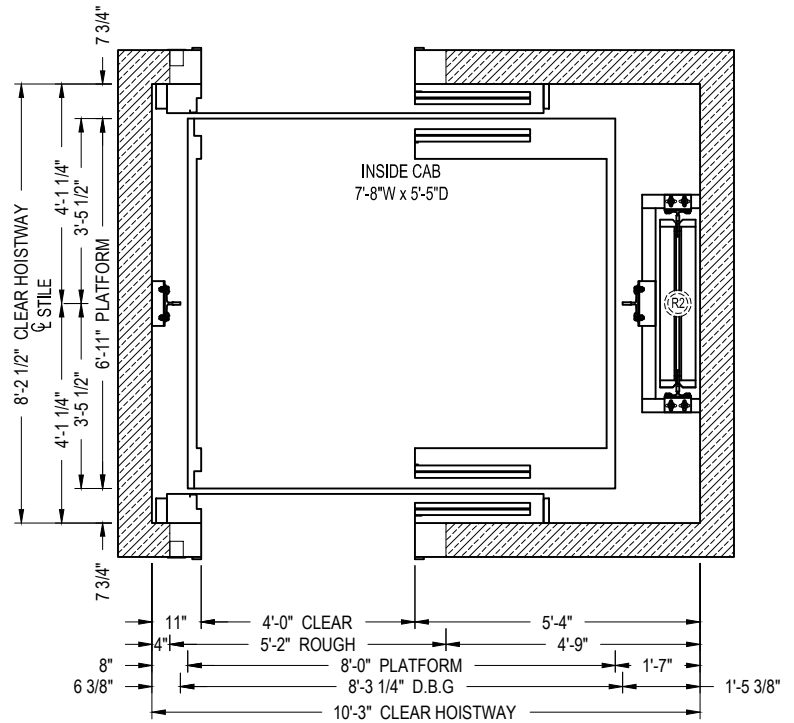


SECTION A-A  
NOT TO SCALE

\* CONSULT LITERATURE FOR SPEEDS EXCEEDING 200 fpm



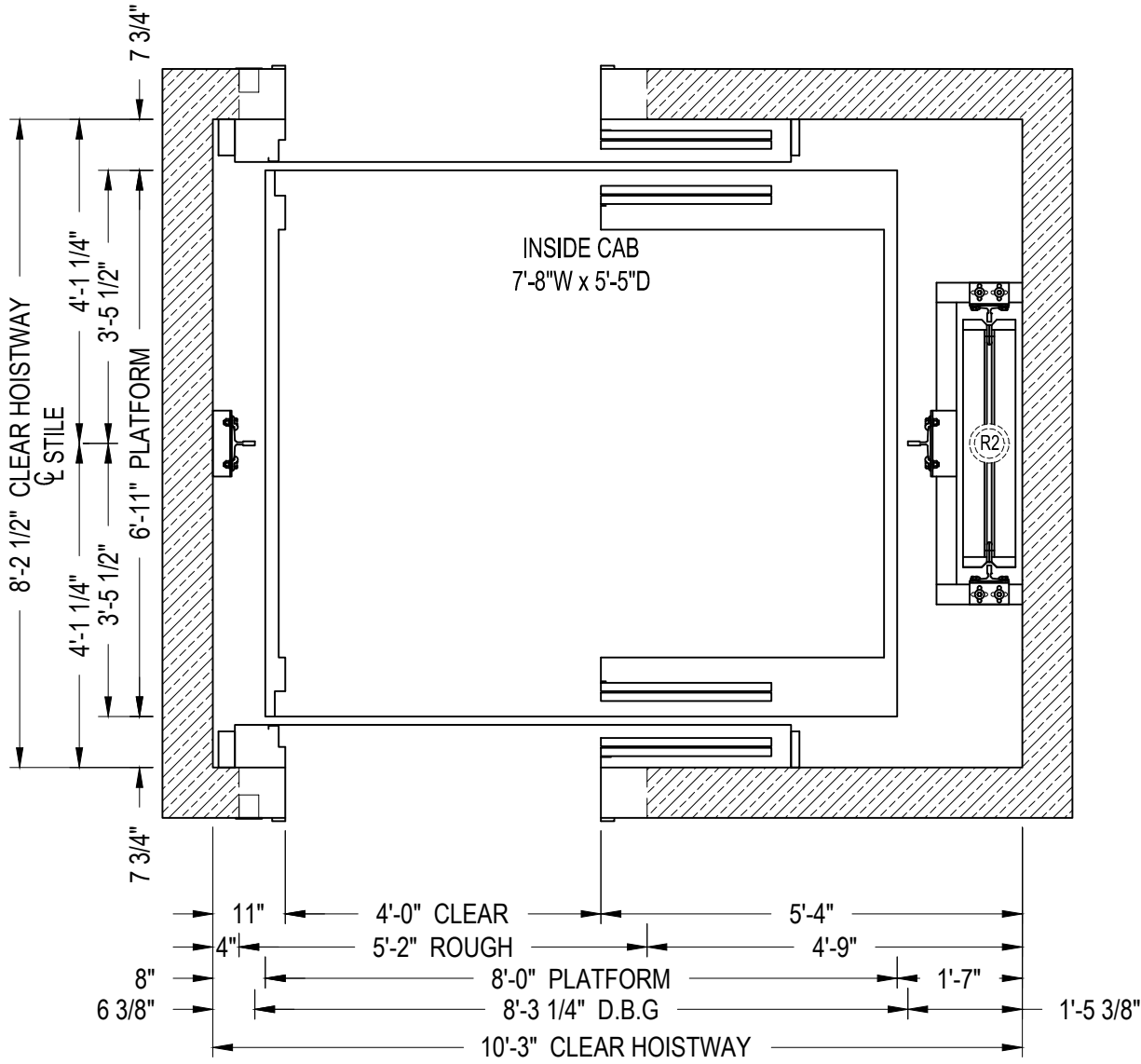
TWO SPEED HOISTWAY PLAN



GEARED TRACTION  
ELEVATION & PLAN VIEW

CAPACITY 4000 lbs.  
TWO SPEED

40GTTS2E14



TWO SPEED HOISTWAY PLAN



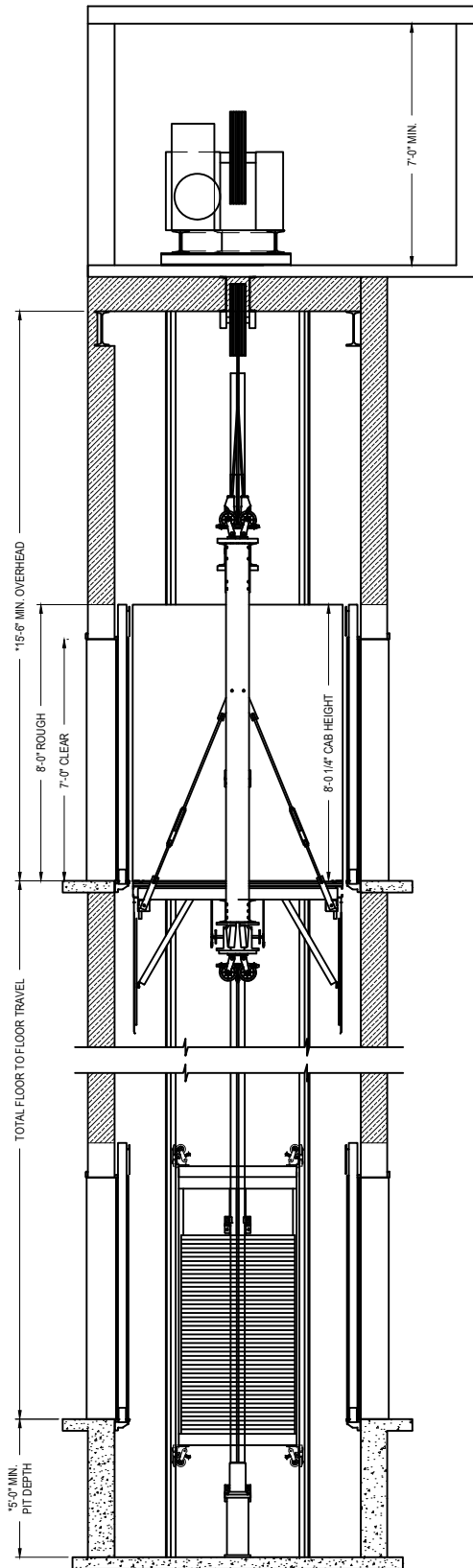
GEARED TRACTION

CAPACITY 4000 lbs.

40GTTS2E14

PLAN VIEW

TWO SPEED



SECTION A-A  
NOT TO SCALE

\*- CONSULT LITERATURE FOR SPEEDS EXCEEDING 200 fpm



GEARED TRACTION  
ELEVATION VIEW

CAPACITY 4000 lbs.

40GTTS2E14

TWO SPEED