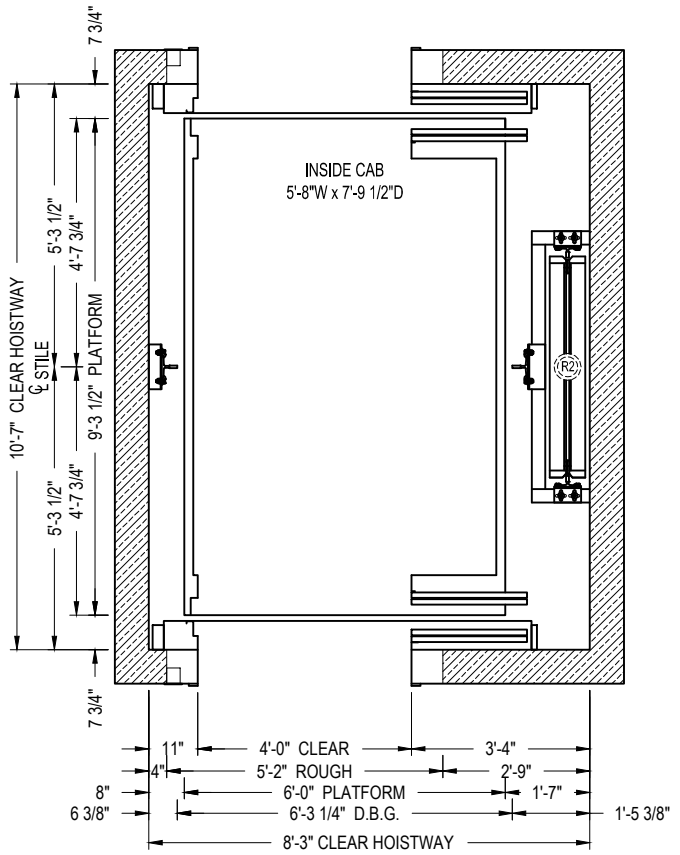


SECTION A-A  
NOT TO SCALE

\* CONSULT LITERATURE FOR SPEEDS EXCEEDING 200 fpm



TWO SPEED HOISTWAY PLAN

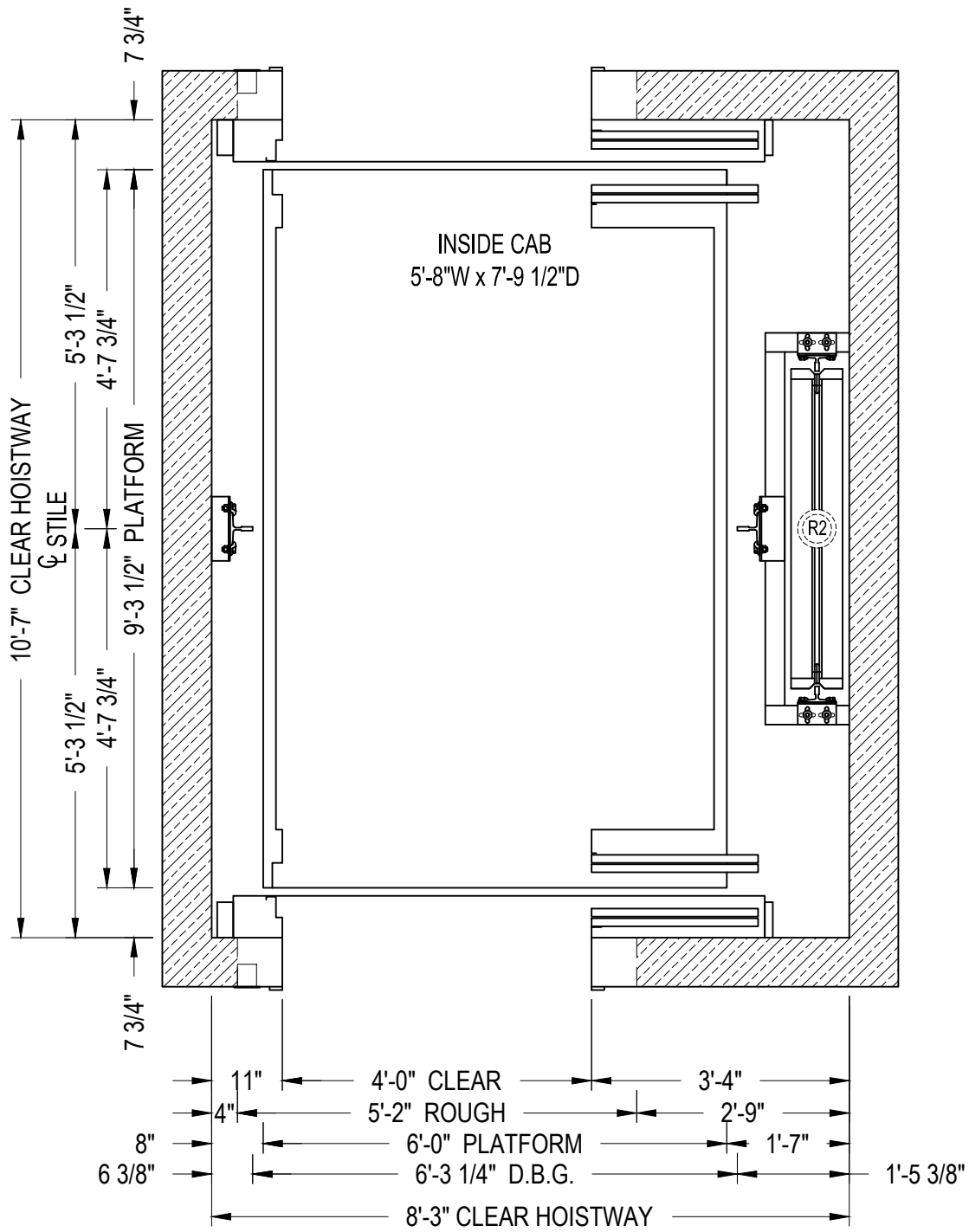


GEARED TRACTION  
ELEVATION & PLAN VIEW

CAPACITY 4500 lbs.

45HGTT2E14

TWO SPEED



TWO SPEED HOISTWAY PLAN



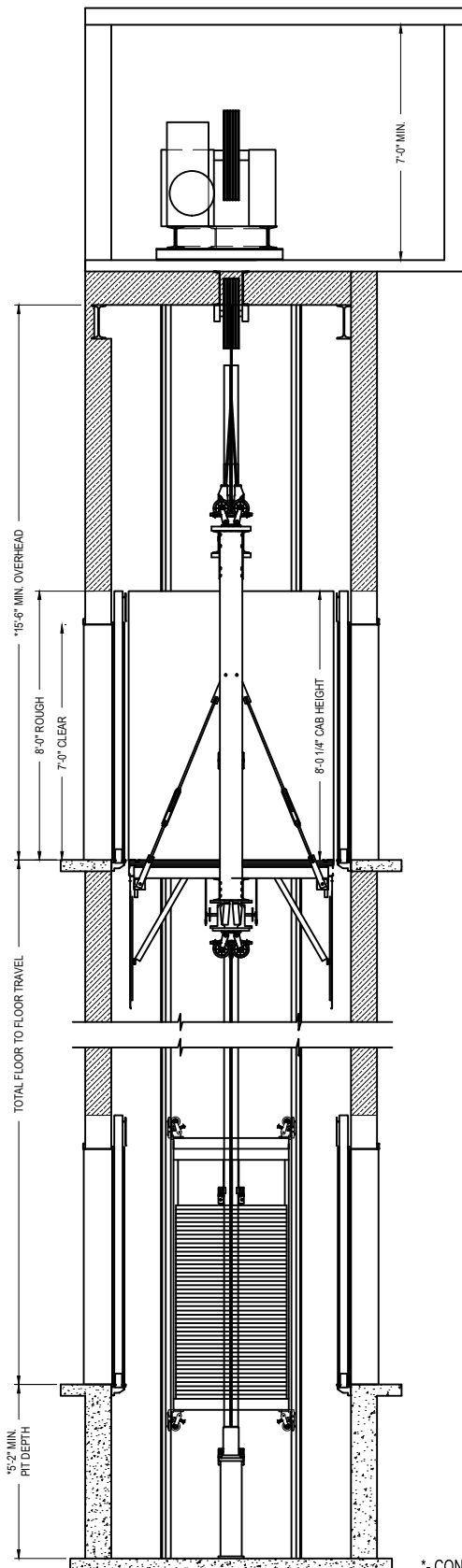
GEARED TRACTION

CAPACITY 4500 lbs.

45HGTT2E14

PLAN VIEW

TWO SPEED



SECTION A-A  
NOT TO SCALE

\* - CONSULT LITERATURE FOR SPEEDS EXCEEDING 200 fpm



GEARED TRACTION  
ELEVATION VIEW

CAPACITY 4500 lbs.

45HGTT2E14

TWO SPEED