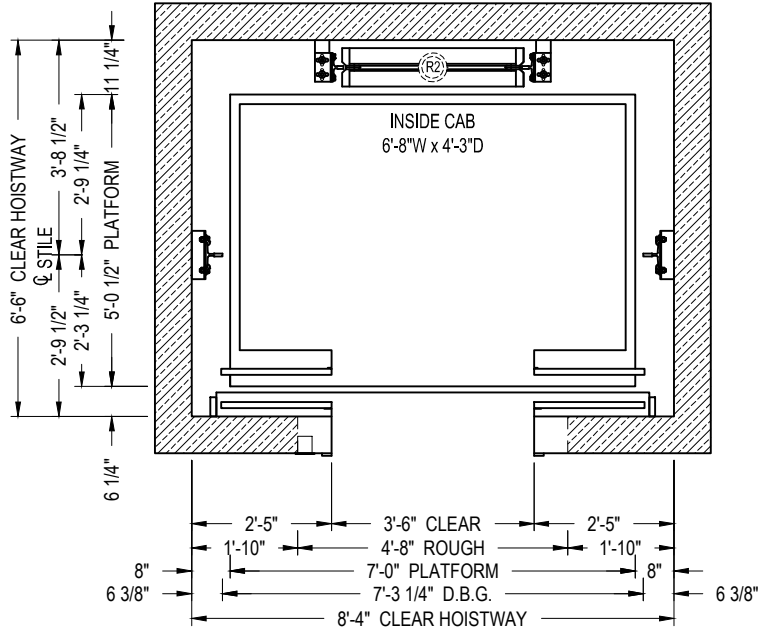
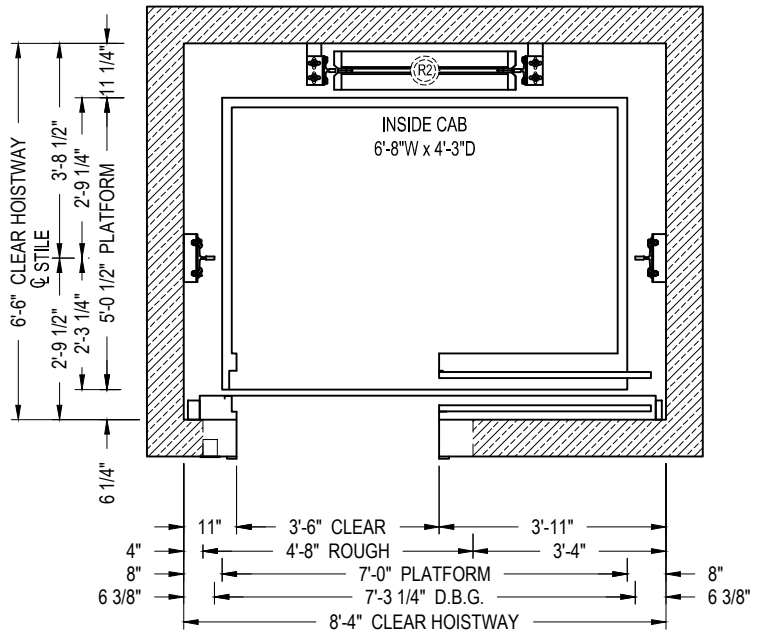


SECTION A-A
NOT TO SCALE

* CONSULT LITERATURE FOR SPEEDS EXCEEDING 200 fpm



CENTER PARTING HOISTWAY PLAN



SINGLE SPEED HOISTWAY PLAN

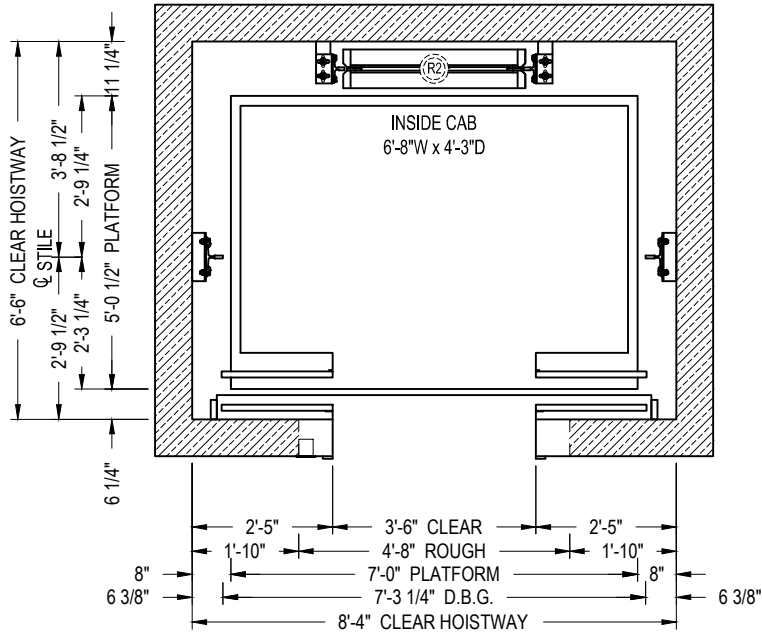


GEARED TRACTION
ELEVATION & PLAN VIEW

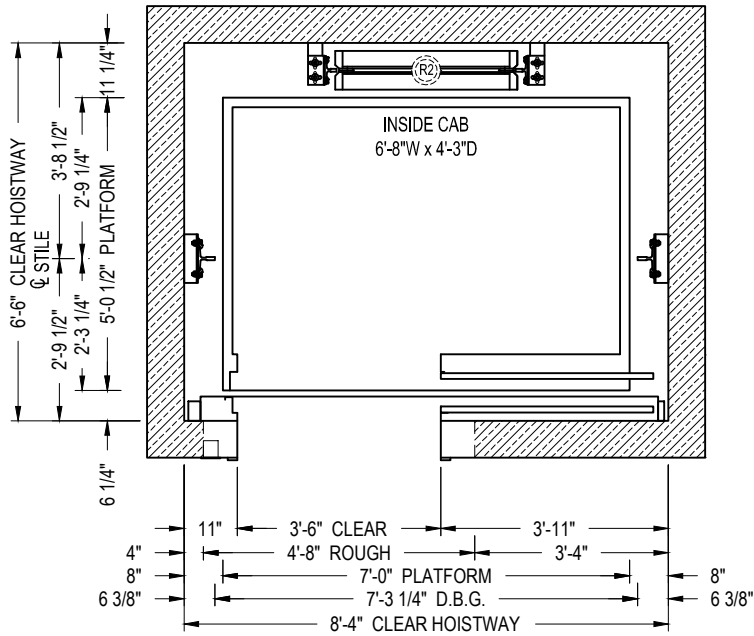
CAPACITY 2500 lbs.

25GTSS1E14

SINGLE SLIDE & CENTER PARTING



CENTER PARTING HOISTWAY PLAN



SINGLE SPEED HOISTWAY PLAN

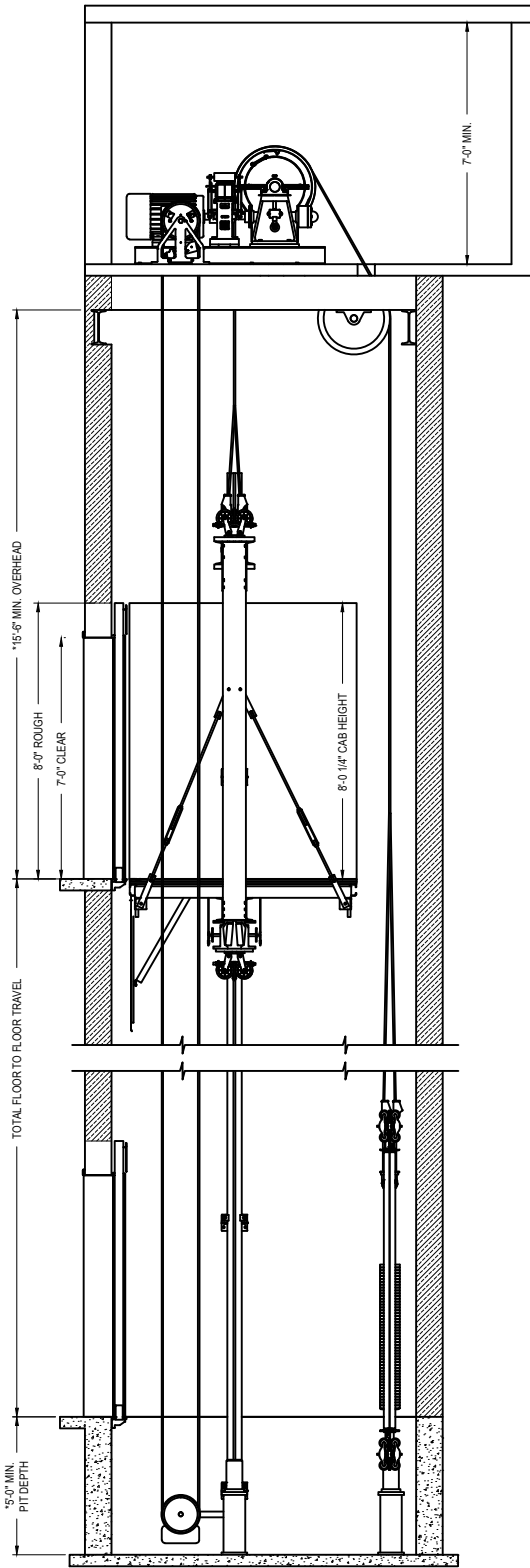


GEARED TRACTION
 PLAN VIEW

CAPACITY 2500 lbs.

25GTSS1E14

SINGLE SLIDE & CENTER PARTING



SECTION A-A
NOT TO SCALE

* CONSULT LITERATURE FOR SPEEDS EXCEEDING 200 fpm



GEARED TRACTION
ELEVATION VIEW

CAPACITY 2500 lbs.

25GTSS1E14

SINGLE SLIDE & CENTER PARTING