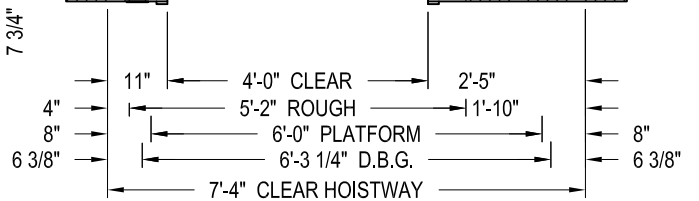
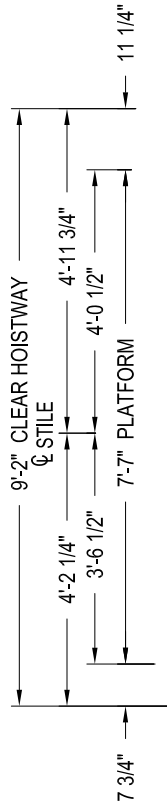


SECTION A-A
NOT TO SCALE

* CONSULT LITERATURE FOR
SPEEDS EXCEEDING 200 fpm



TWO SPEED HOISTWAY PLAN

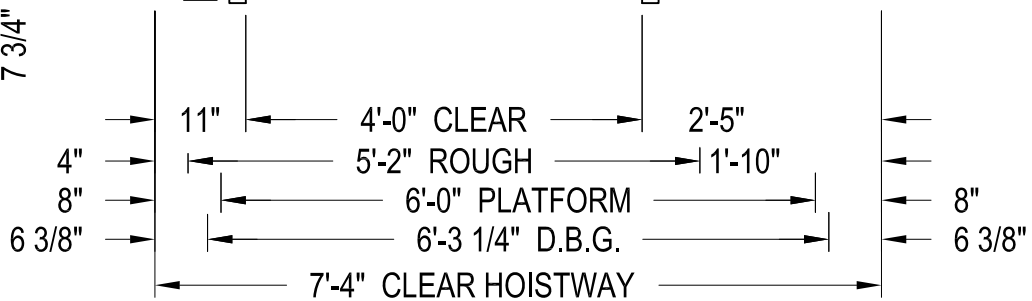
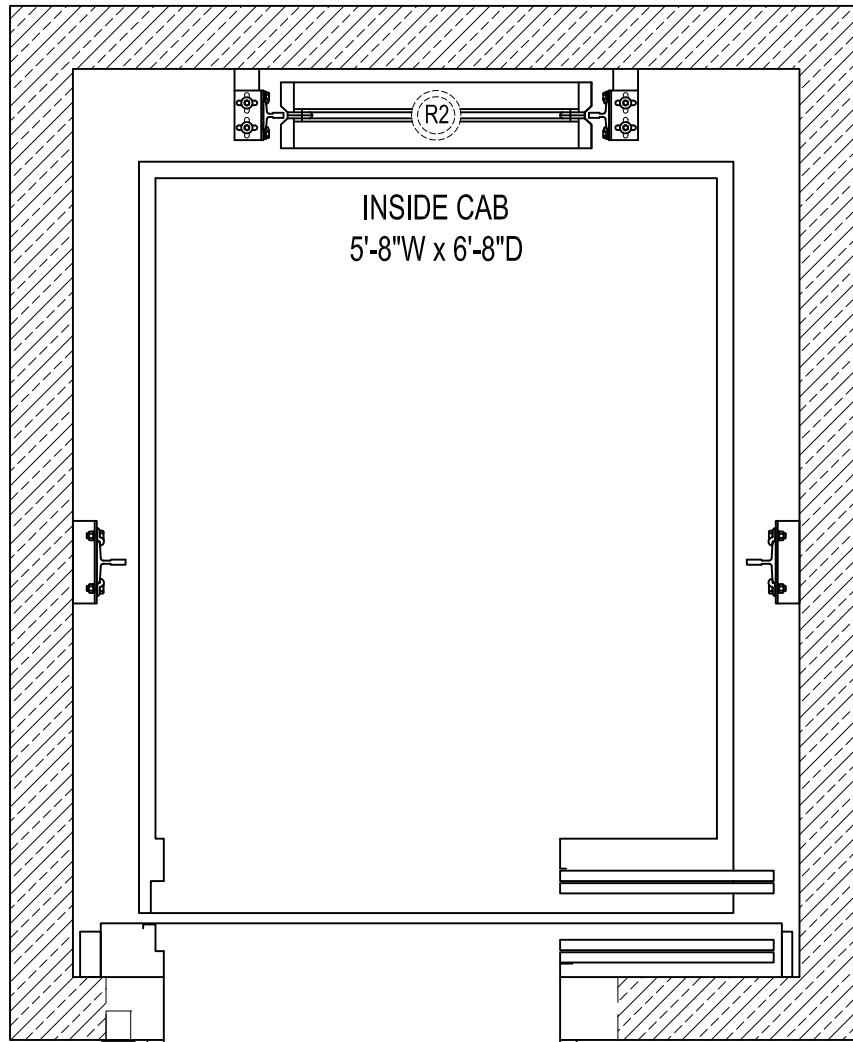
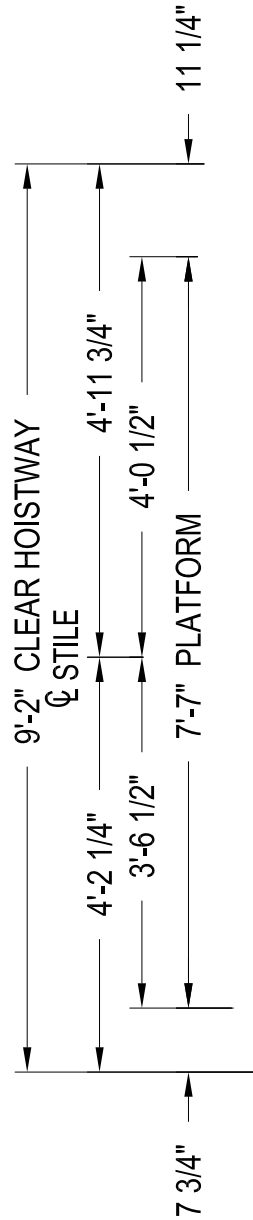


GEARED TRACTION
ELEVATION & PLAN VIEW

CAPACITY 3500 lbs.

35HGTT51E14

TWO SPEED



TWO SPEED HOISTWAY PLAN

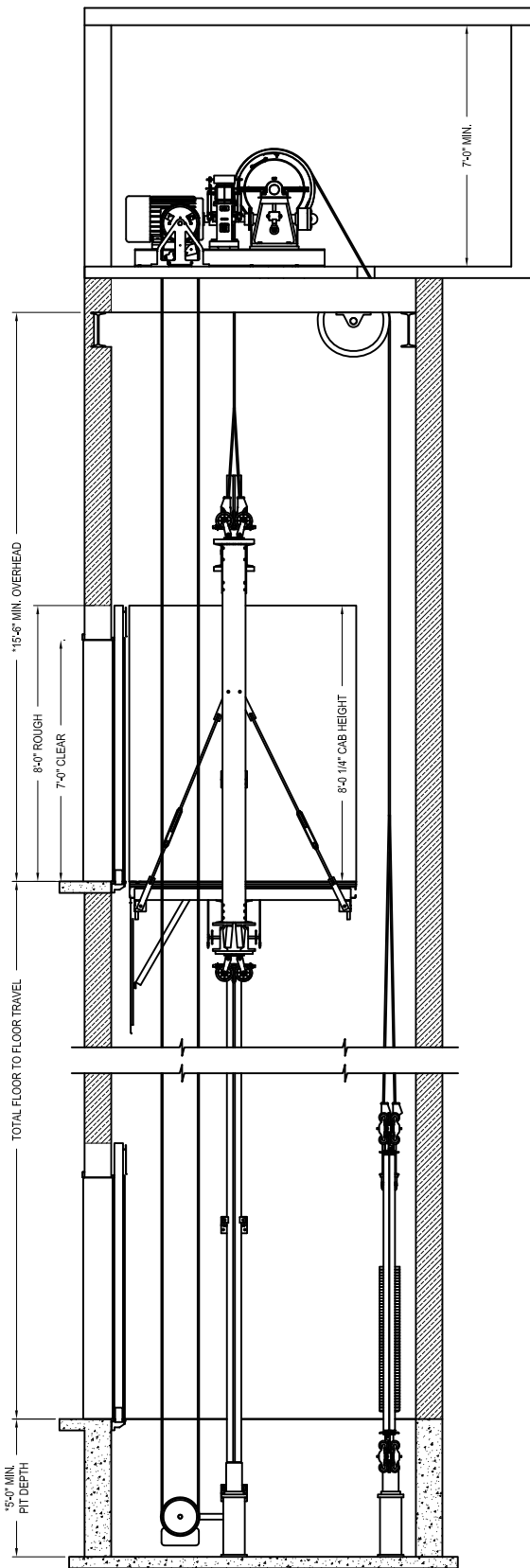


GEARED TRACTION
PLAN VIEW

CAPACITY 3500 lbs.

35HGTT51E14

TWO SPEED



SECTION A-A
NOT TO SCALE

*- CONSULT LITERATURE FOR SPEEDS EXCEEDING 200 fpm



GEARED TRACTION
ELEVATION VIEW

CAPACITY 3500 lbs.

35HGTTTS1E14

TWO SPEED