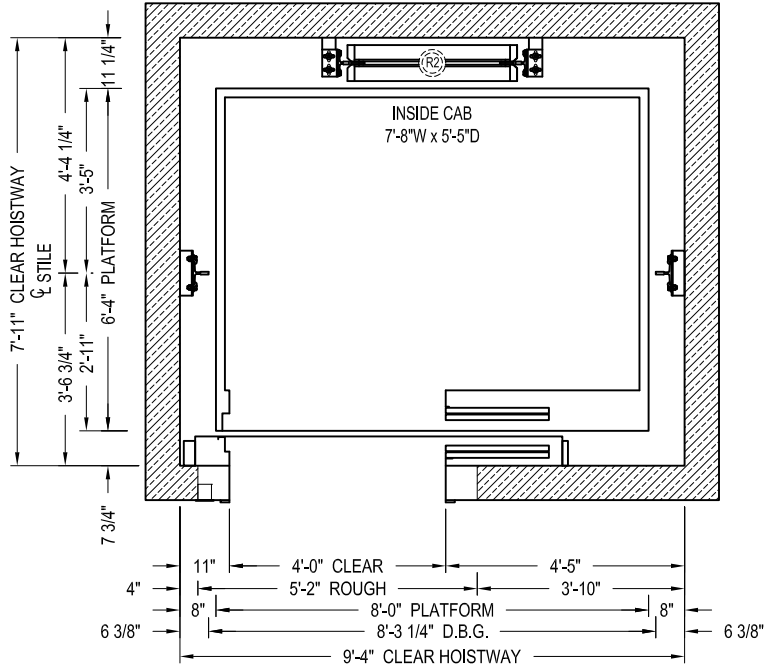


SECTION A-A
NOT TO SCALE

* CONSULT LITERATURE
SPEEDS EXCEEDING 200



TWO SPEED HOISTWAY PLAN

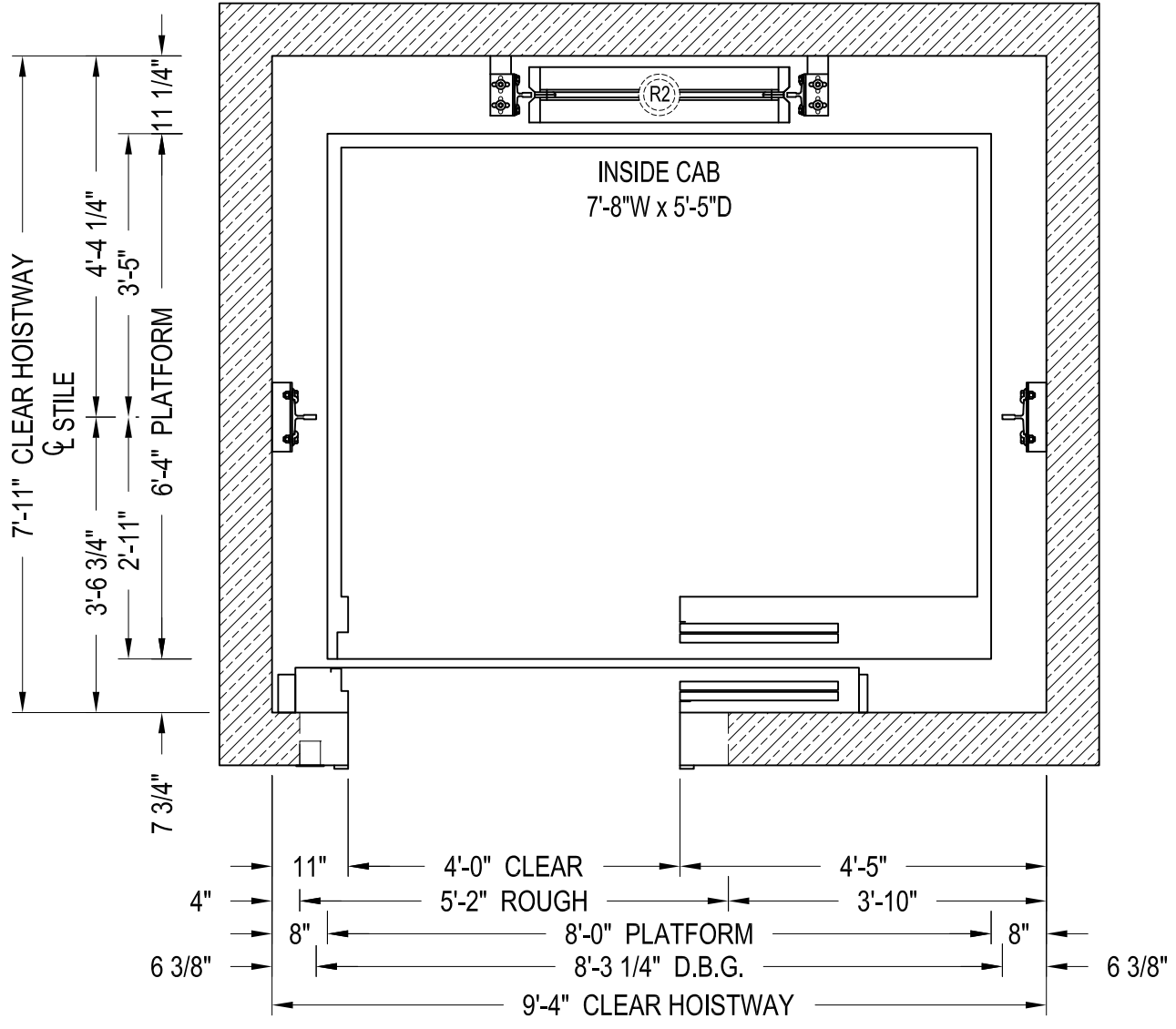


GEARED TRACTION
ELEVATION & PLAN VIEW

CAPACITY 4000 lbs.

40GTTS1E14

TWO SPEED



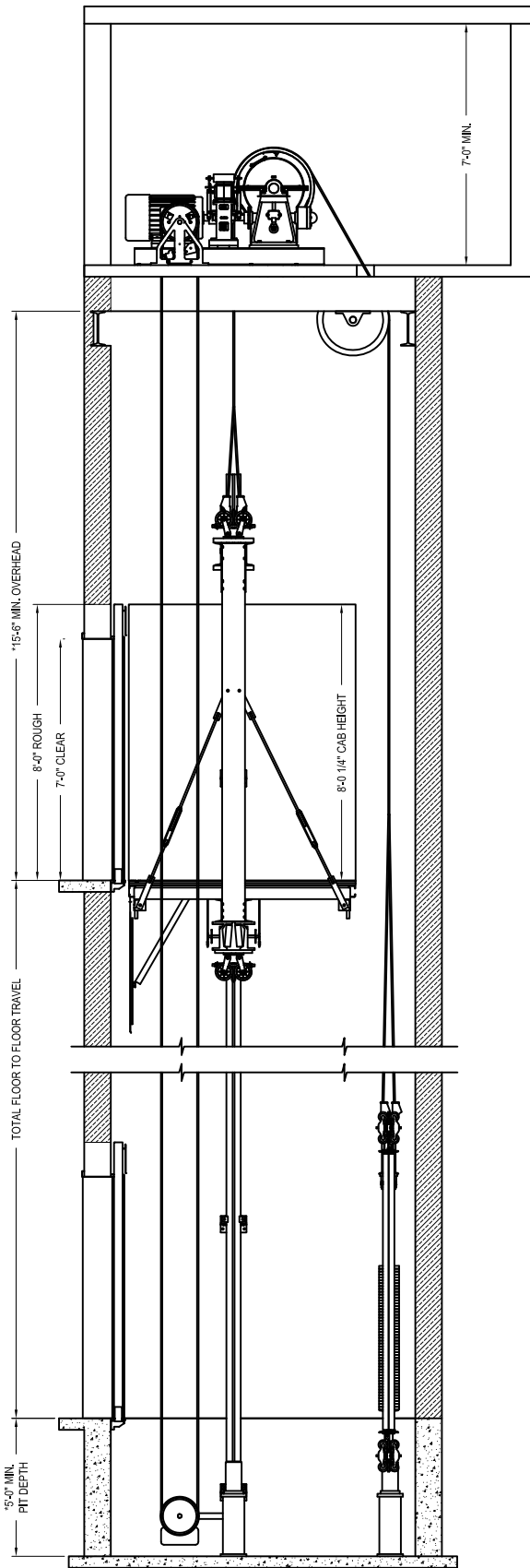
TWO SPEED HOISTWAY PLAN



GEARED TRACTION
PLAN VIEW

CAPACITY 4000 lbs.
TWO SPEED

40GTTs1E14



SECTION A-A
NOT TO SCALE

*- CONSULT LITERATURE FOR SPEEDS EXCEEDING 200 fpm



GEARED TRACTION
ELEVATION VIEW

CAPACITY 4000 lbs.
TWO SPEED

40GTTS1E14