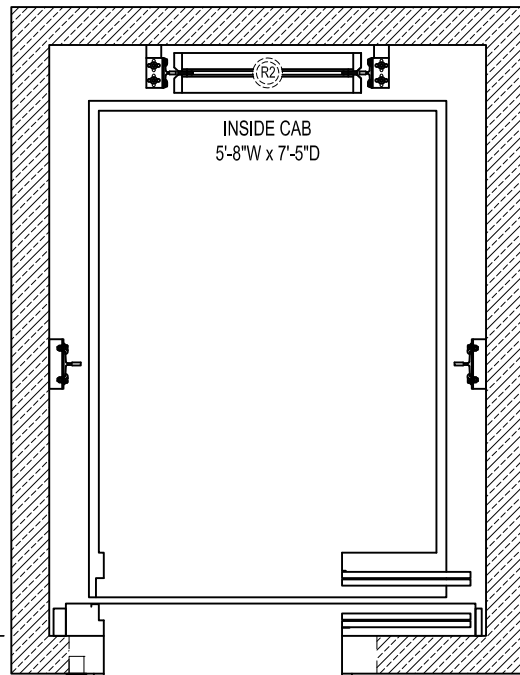
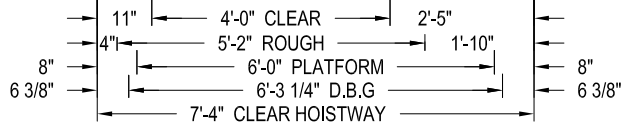
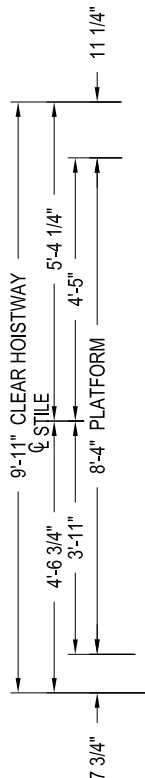


**SECTION A-A**  
NOT TO SCALE



**TWO SPEED HOISTWAY PLAN**

\* CONSULT LITERATURE FOR SPEEDS EXCEEDING 200 fpm

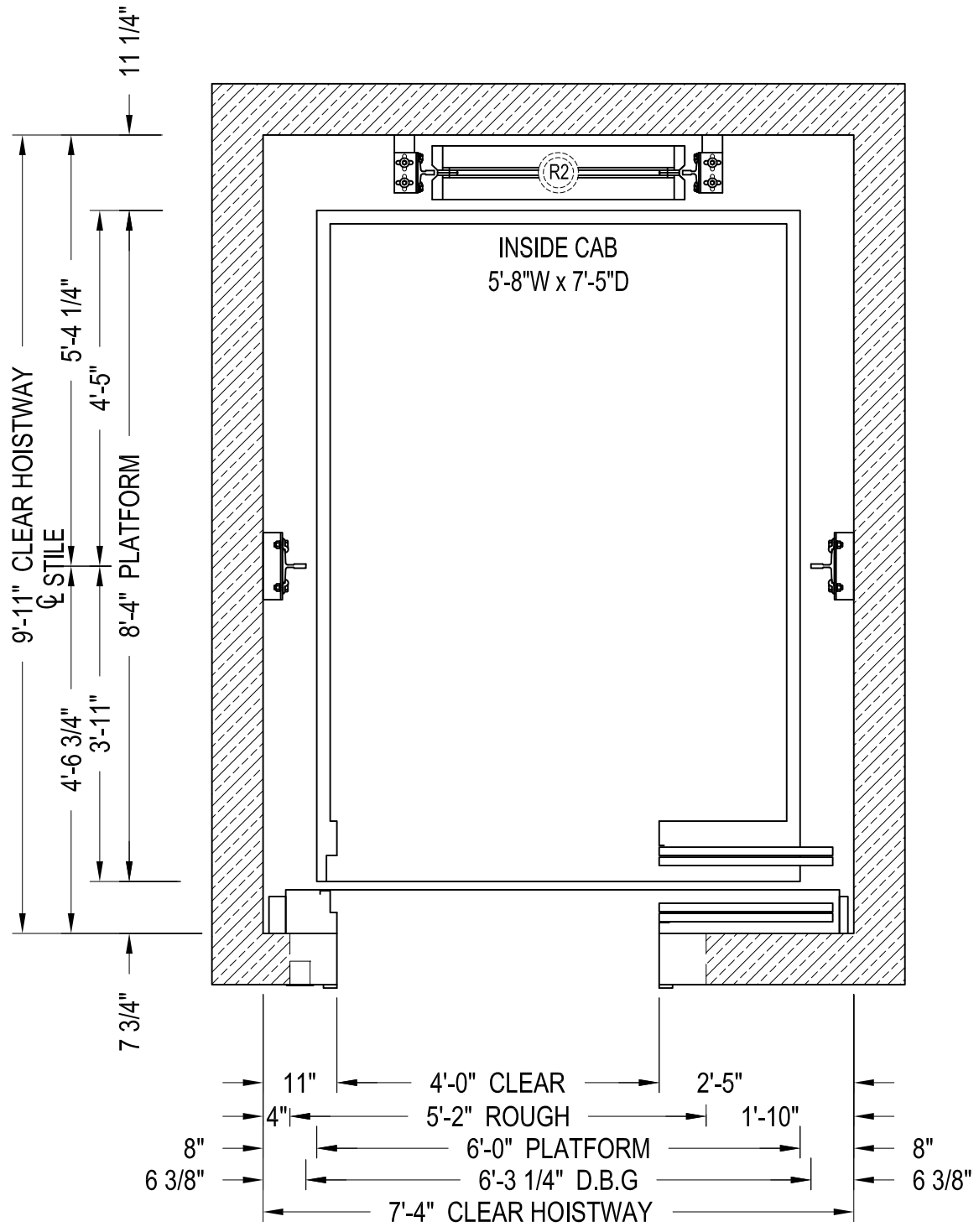


**GEARED TRACTION**  
**ELEVATION & PLAN VIEW**

**CAPACITY 4000 lbs.**

**40HGTT51E14**

**TWO SPEED**



TWO SPEED HOISTWAY PLAN

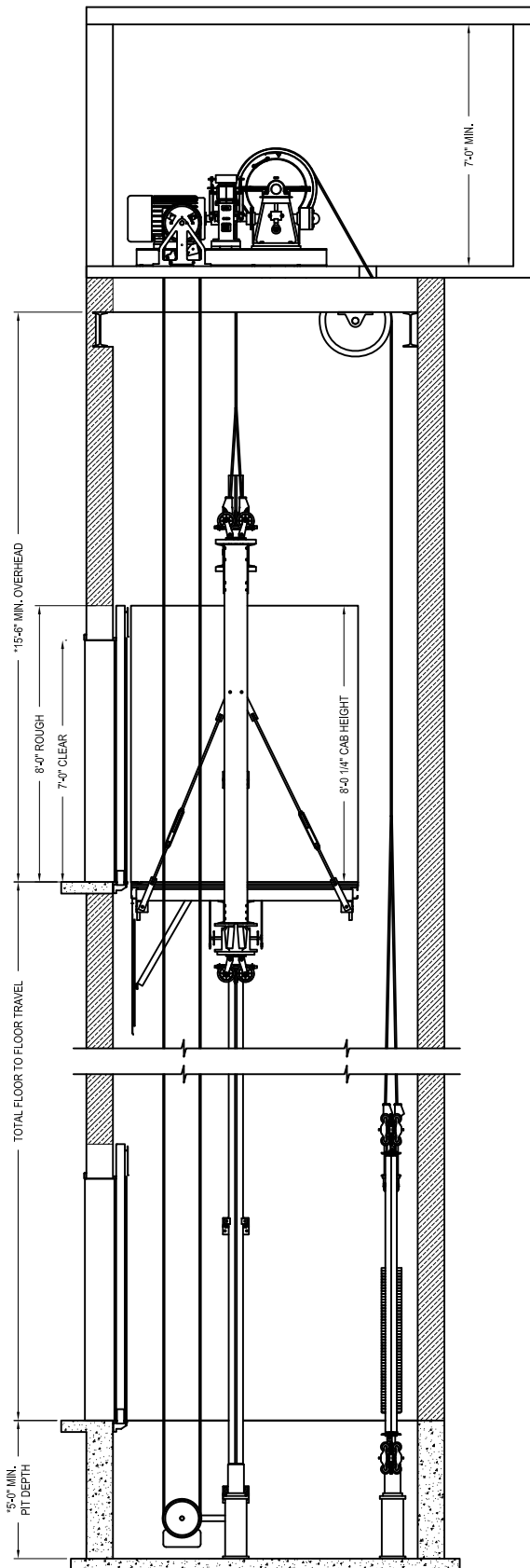


GEARED TRACTION  
 PLAN VIEW

CAPACITY 4000 lbs.

40HGTTs1E14

TWO SPEED



SECTION A-A  
NOT TO SCALE

\*- CONSULT LITERATURE FOR SPEEDS EXCEEDING 200 fpm



GEARED TRACTION  
ELEVATION VIEW

CAPACITY 4000 lbs.

40HGTT51E14

TWO SPEED