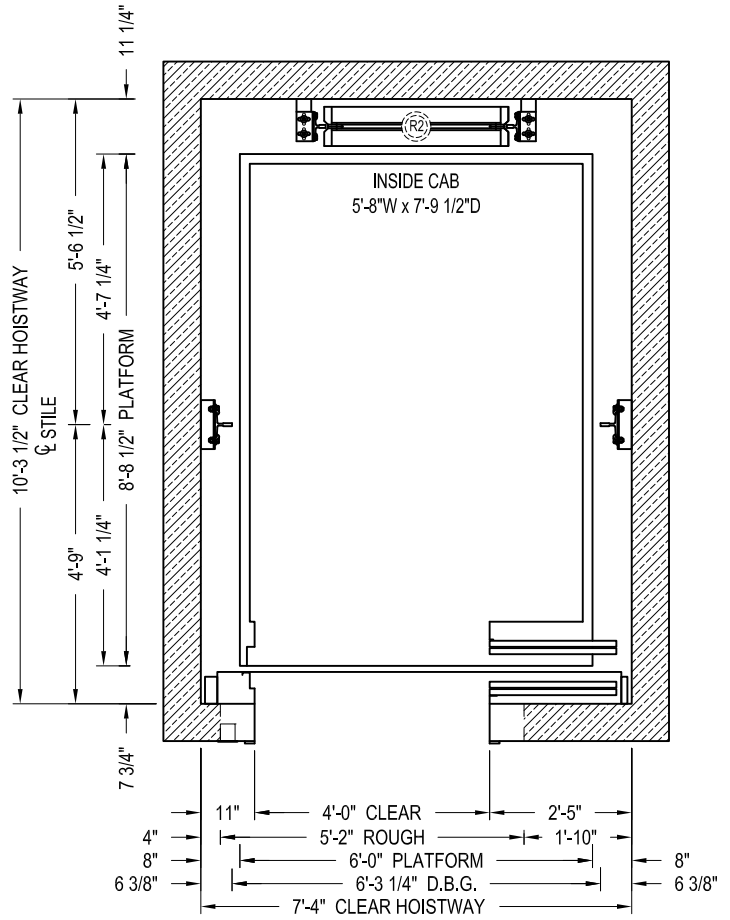


SECTION A-A
NOT TO SCALE

* - CONSULT LITERATURE FOR SPEEDS EXCEEDING 200 fpm



TWO SPEED HOISTWAY PLAN

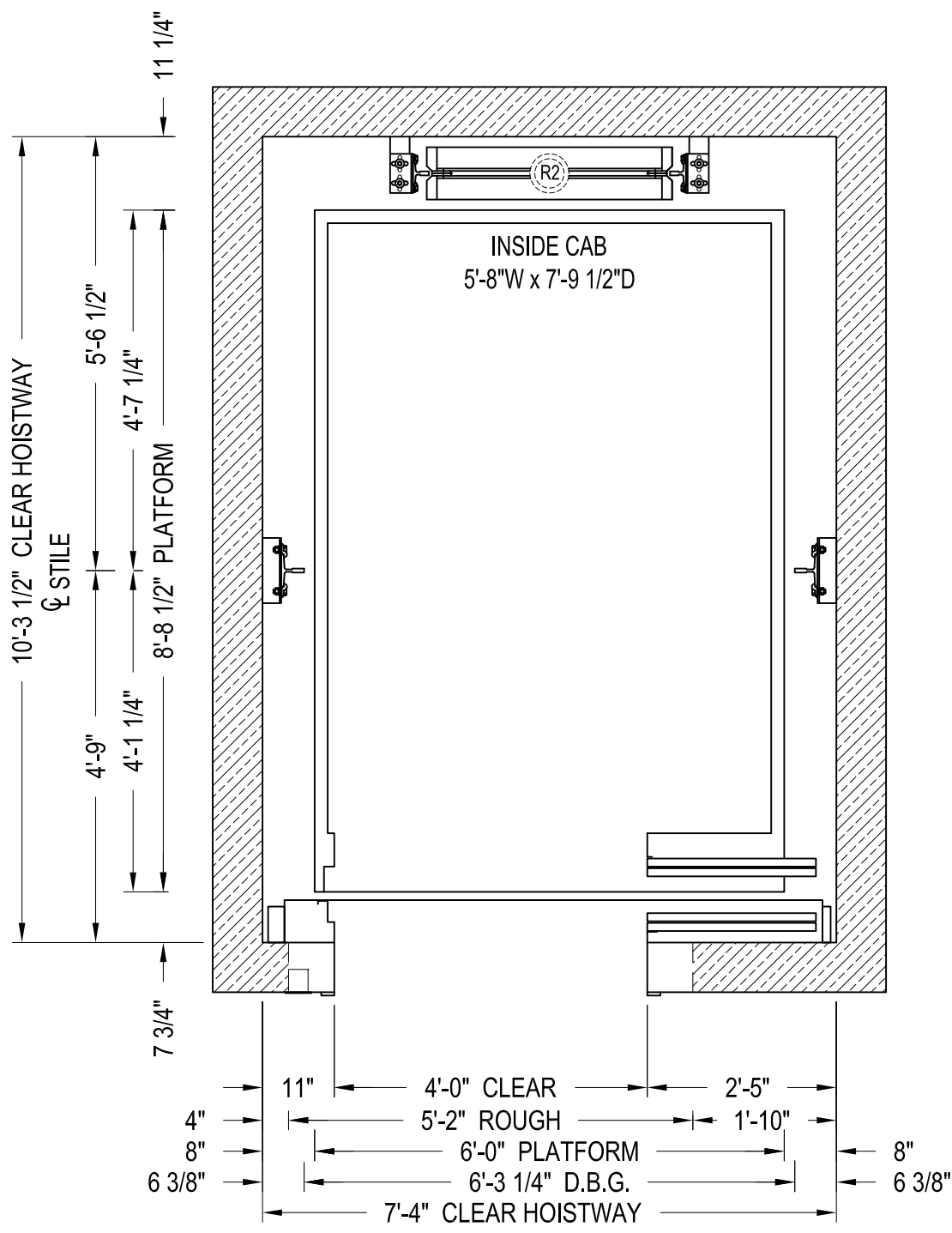


GEARED TRACTION
ELEVATION & PLAN VIEW

CAPACITY 4500 lbs.

45HGTT51E14

TWO SPEED

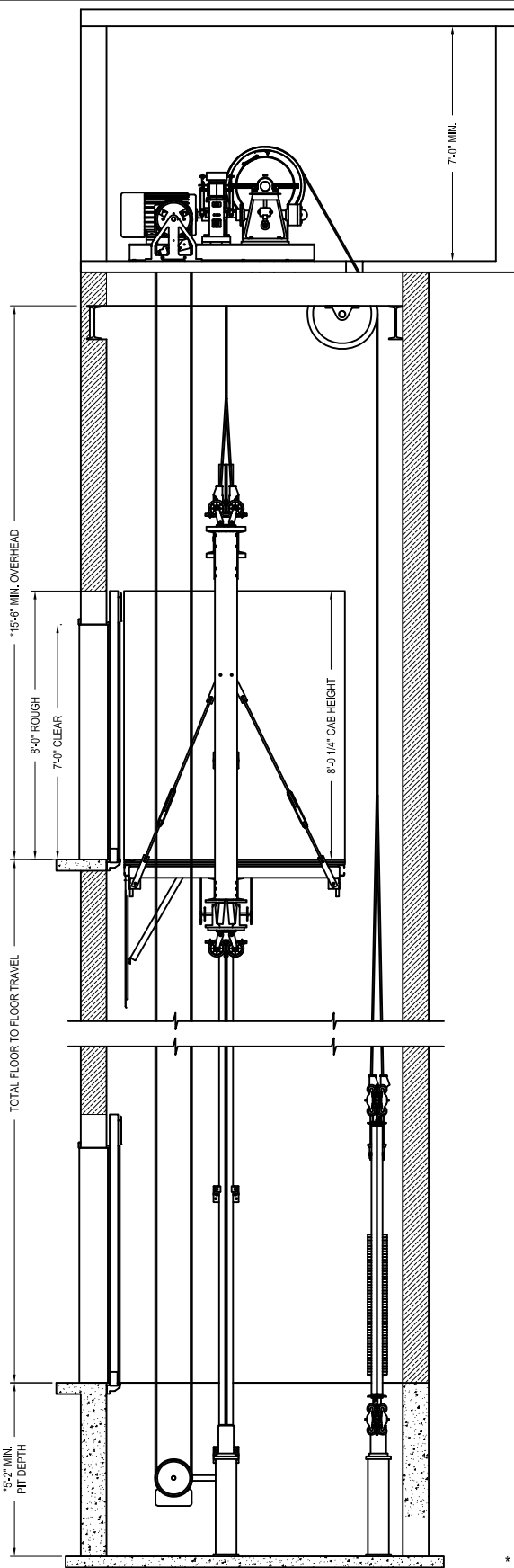


TWO SPEED HOISTWAY PLAN



GEARED TRACTION
 PLAN VIEW

CAPACITY 4500 lbs.	45HGTTTS1E14
TWO SPEED	



SECTION A-A
NOT TO SCALE

* - CONSULT LITERATURE FOR SPEEDS EXCEEDING 200 fpm



GEARED TRACTION
ELEVATION VIEW

CAPACITY 4500 lbs.

45HGTTs1E14

TWO SPEED