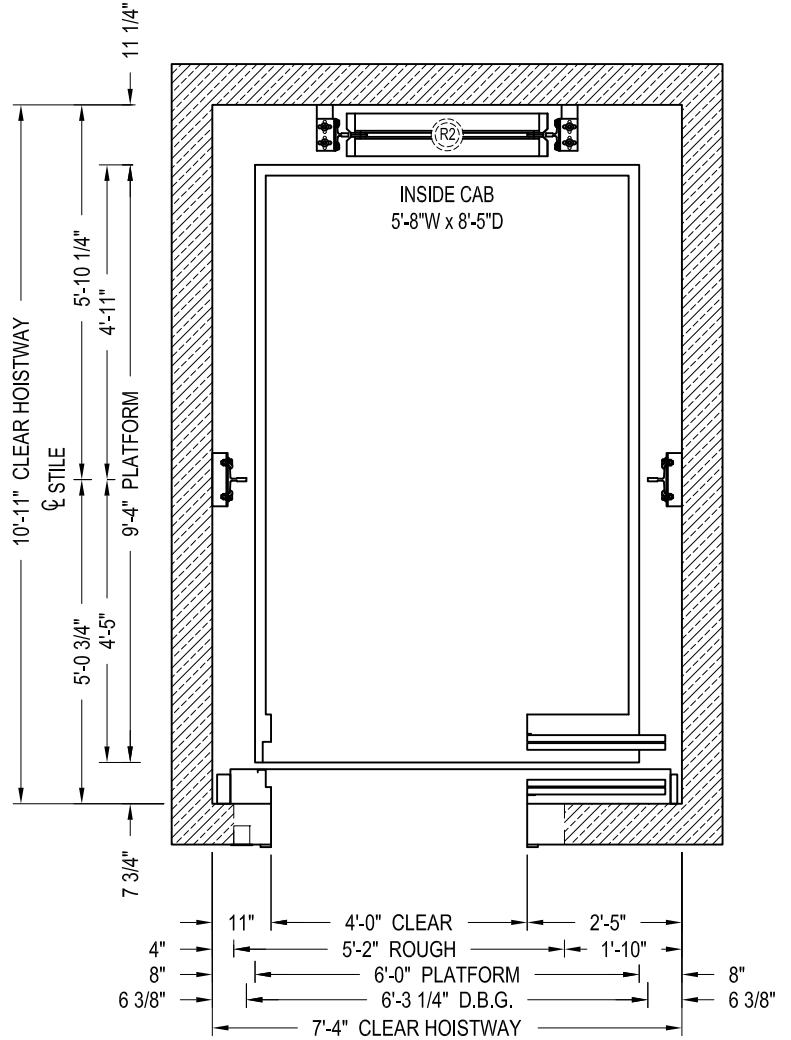


SECTION A-A
NOT TO SCALE

* CONSULT LITERATURE FOR SPEEDS EXCEEDING 200 fpm



TWO SPEED HOISTWAY PLAN

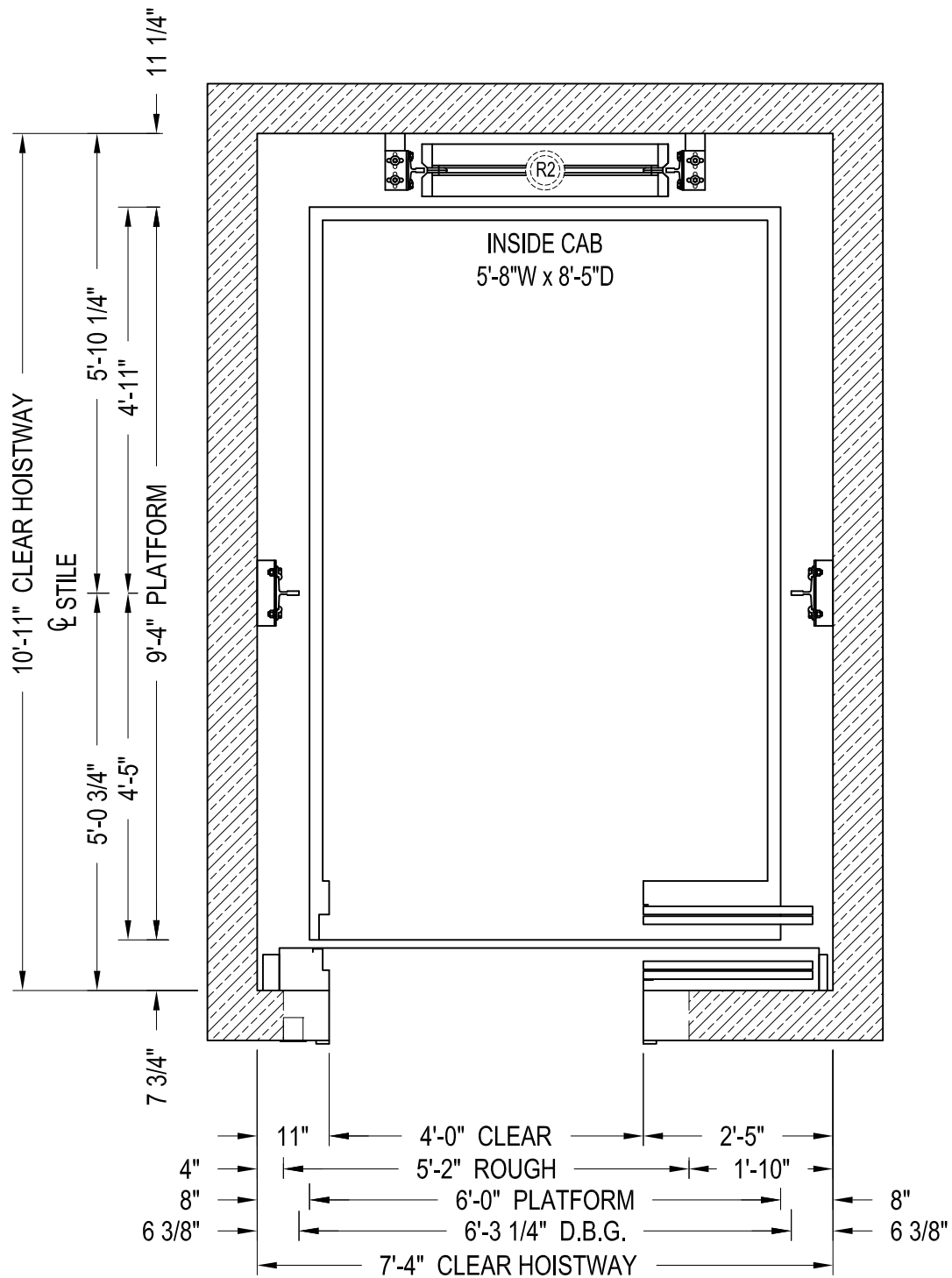


GEARED TRACTION
ELEVATION & PLAN VIEW

CAPACITY 5000 lbs.

50HGTT51E14

TWO SPEED



TWO SPEED HOISTWAY PLAN



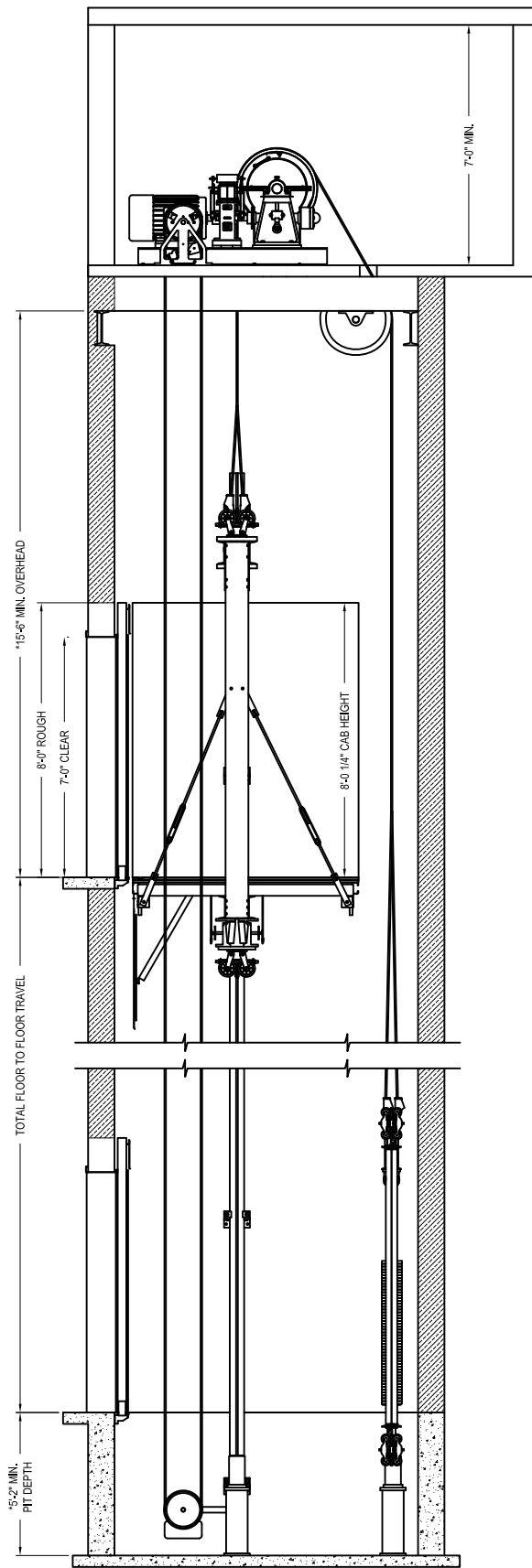
GEARED TRACTION

CAPACITY 5000 lbs.

50HGTT51E14

PLAN VIEW

TWO SPEED



SECTION A-A
NOT TO SCALE

*- CONSULT LITERATURE FOR SPEEDS EXCEEDING 200 fpm



GEARED TRACTION
ELEVATION VIEW

CAPACITY 5000 lbs.
TWO SPEED

50HGTTTS1E14