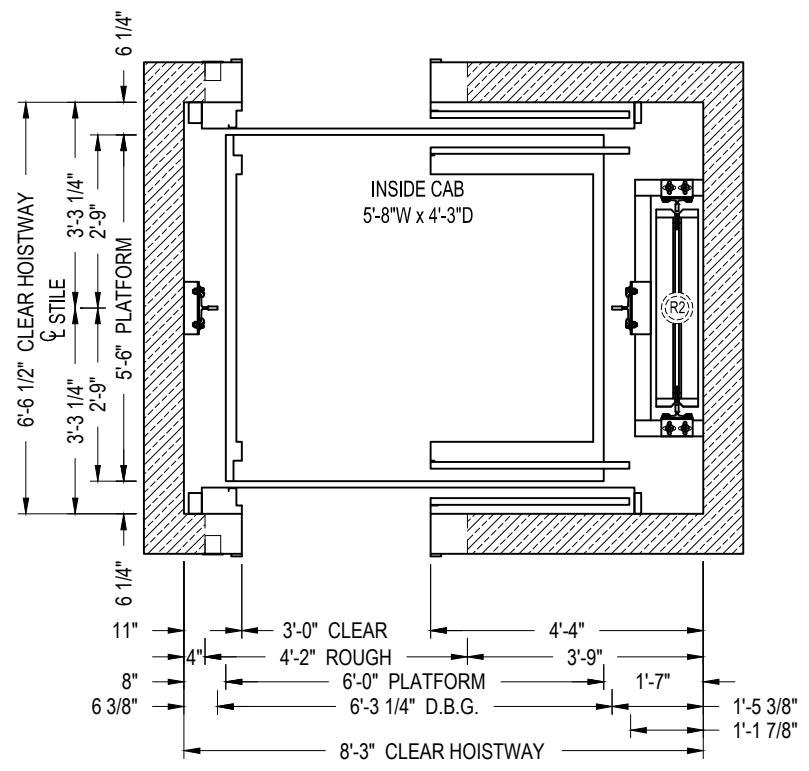


SECTION A-A
NOT TO SCALE

* CONSULT LITERATURE FOR SPEEDS EXCEEDING 200 fpm



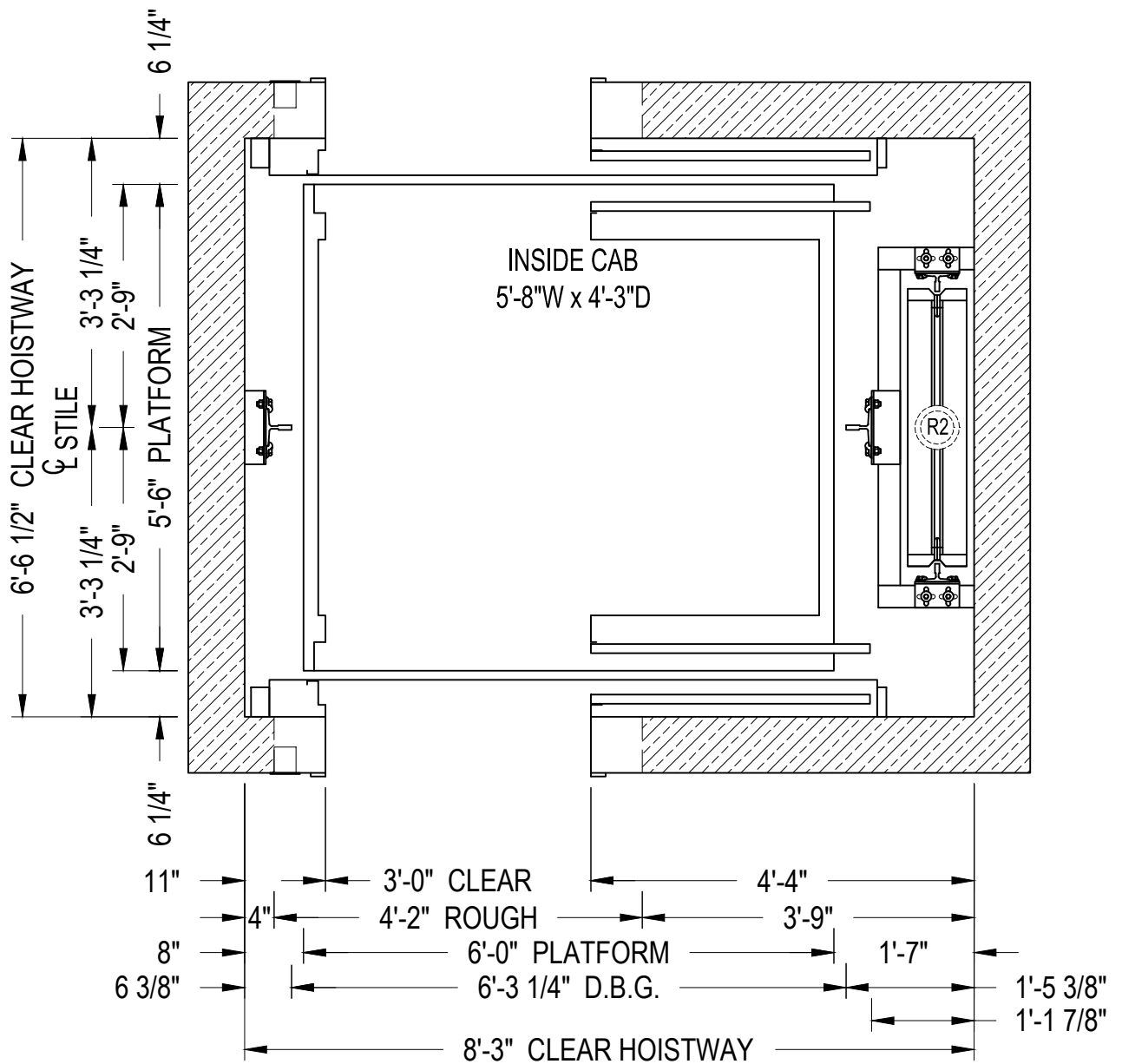
SINGLE SPEED HOISTWAY PLAN



GEARLESS TRACTION
ELEVATION & PLAN VIEW

CAPACITY 2000 lbs.
SINGLE SLIDE

20GLTSS2E14



SINGLE SPEED HOISTWAY PLAN



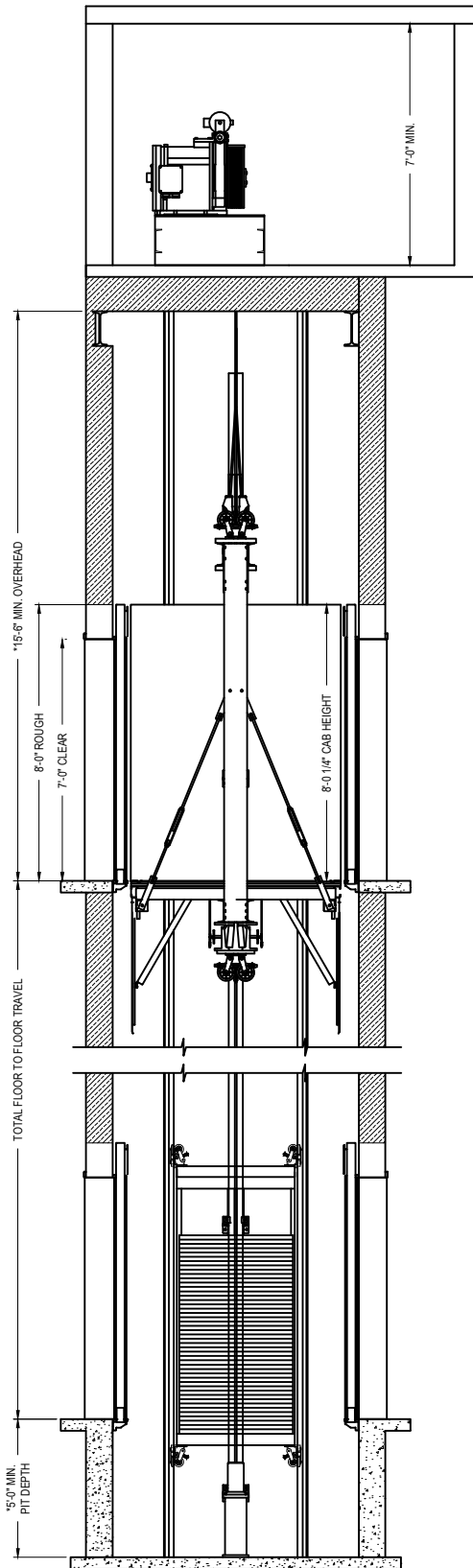
GEARLESS TRACTION

PLAN VIEW

CAPACITY 2000 lbs.

20GLTSS2E14

SINGLE SLIDE



SECTION A-A
NOT TO SCALE

*- CONSULT LITERATURE FOR
SPEEDS EXCEEDING 200 fpm



GEARLESS TRACTION
ELEVATION VIEW

CAPACITY 2000 lbs.
SINGLE SLIDE

20GLTSS2E14