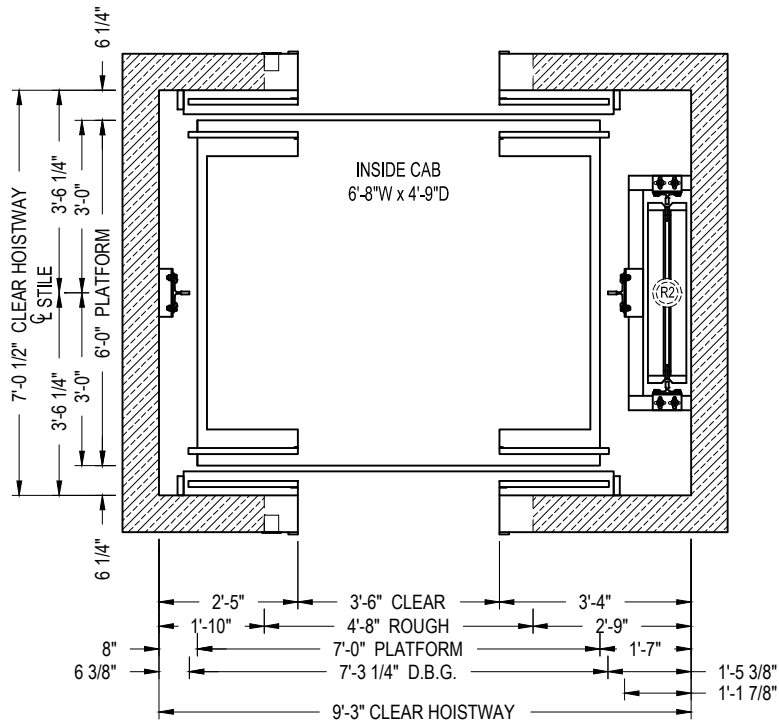
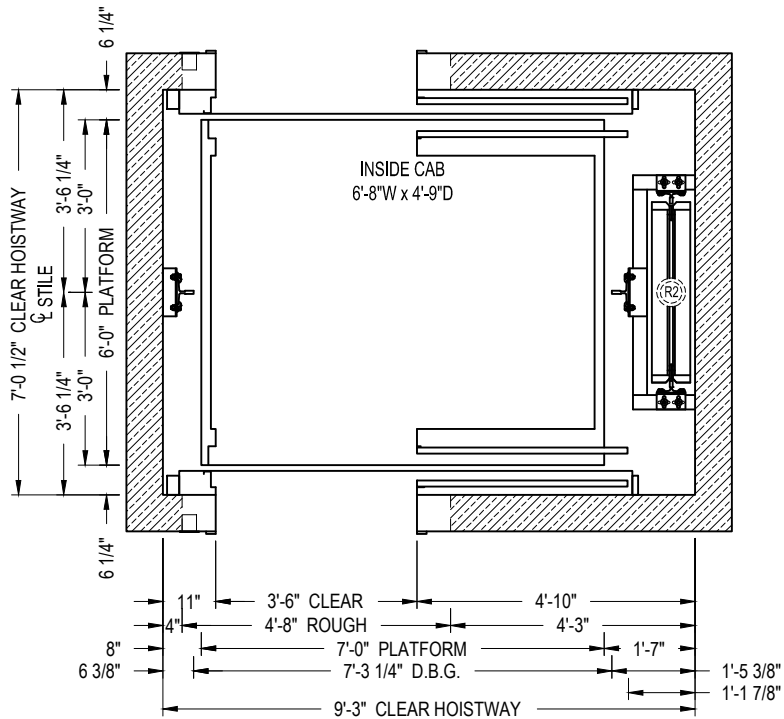


**GEARLESS TRACTION
ELEVATION & PLAN VIEW**

CAPACITY 3000 lbs.	30GLTSS2E14
SINGLE SLIDE & CENTER PARTING	



CENTER PARTING HOISTWAY PLAN



SINGLE SPEED HOISTWAY PLAN

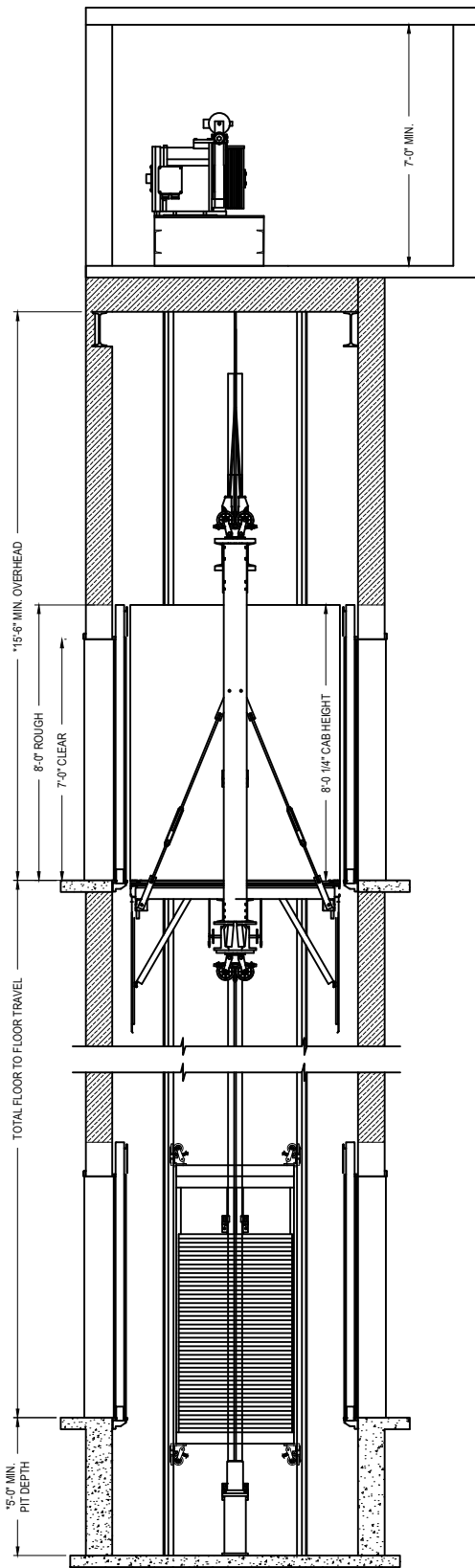


GEARLESS TRACTION
 PLAN VIEW

CAPACITY 3000 lbs.

30GLTSS2E14

SINGLE SLIDE & CENTER PARTING



SECTION A-A
NOT TO SCALE

*- CONSULT LITERATURE FOR SPEEDS EXCEEDING 200 fpm



**GEARLESS TRACTION
ELEVATION VIEW**

CAPACITY 3000 lbs.

30GLTSS2E14

SINGLE SLIDE & CENTER PARTING