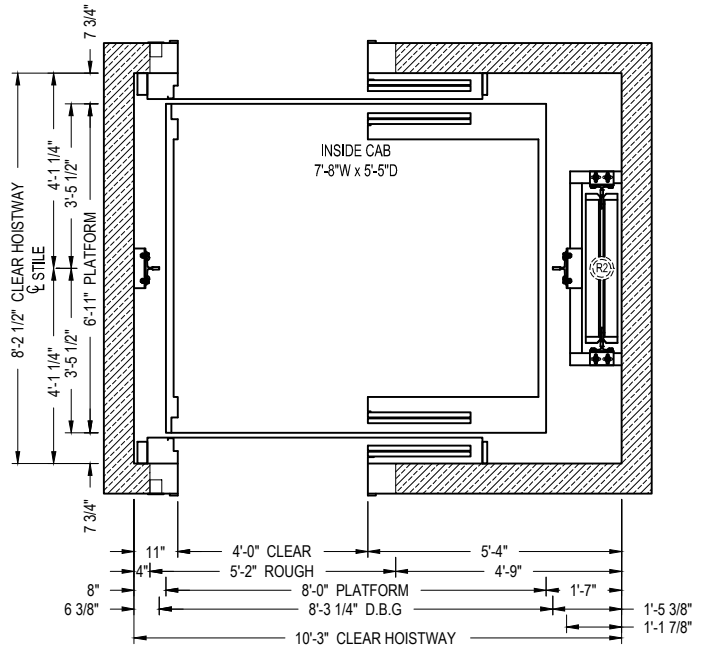


SECTION A-A  
NOT TO SCALE

\* CONSULT LITERATURE FOR  
SPEEDS EXCEEDING 200 fpm



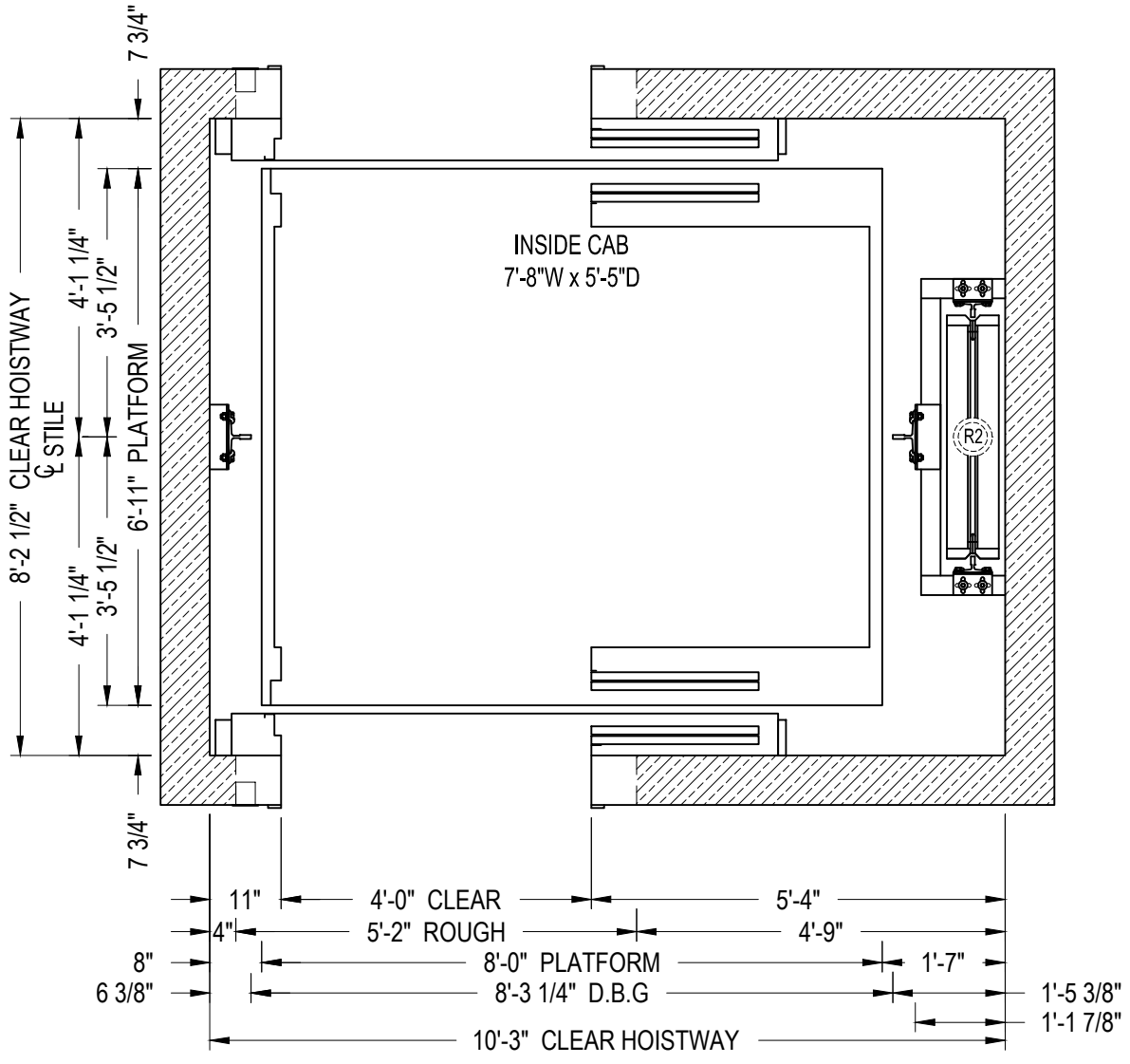
TWO SPEED HOISTWAY PLAN



GEARLESS TRACTION  
ELEVATION & PLAN VIEW

CAPACITY 4000 lbs.  
TWO SPEED

40GLTTS2E14



TWO SPEED HOISTWAY PLAN



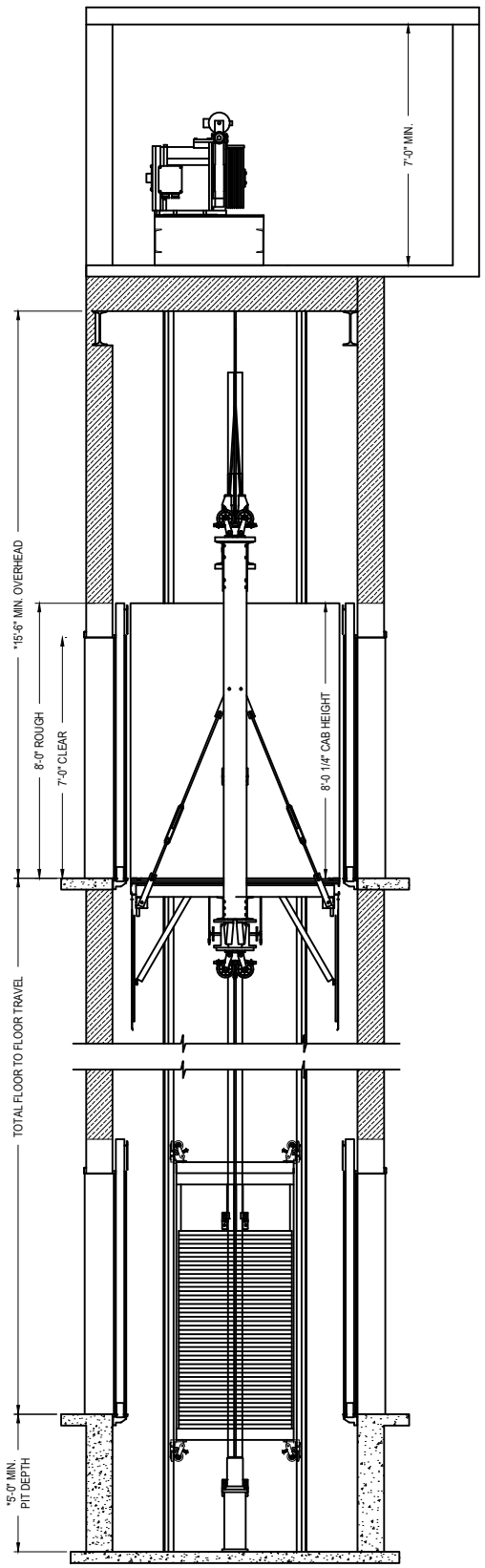
GEARLESS TRACTION

PLAN VIEW

CAPACITY 4000 lbs.

40GLTTS2E14

TWO SPEED



SECTION A-A  
NOT TO SCALE

\*- CONSULT LITERATURE FOR SPEEDS EXCEEDING 200 fpm



**GEARLESS TRACTION**  
**ELEVATION VIEW**

**CAPACITY 4000 lbs.**  
**TWO SPEED**

**40GLTTS2E14**