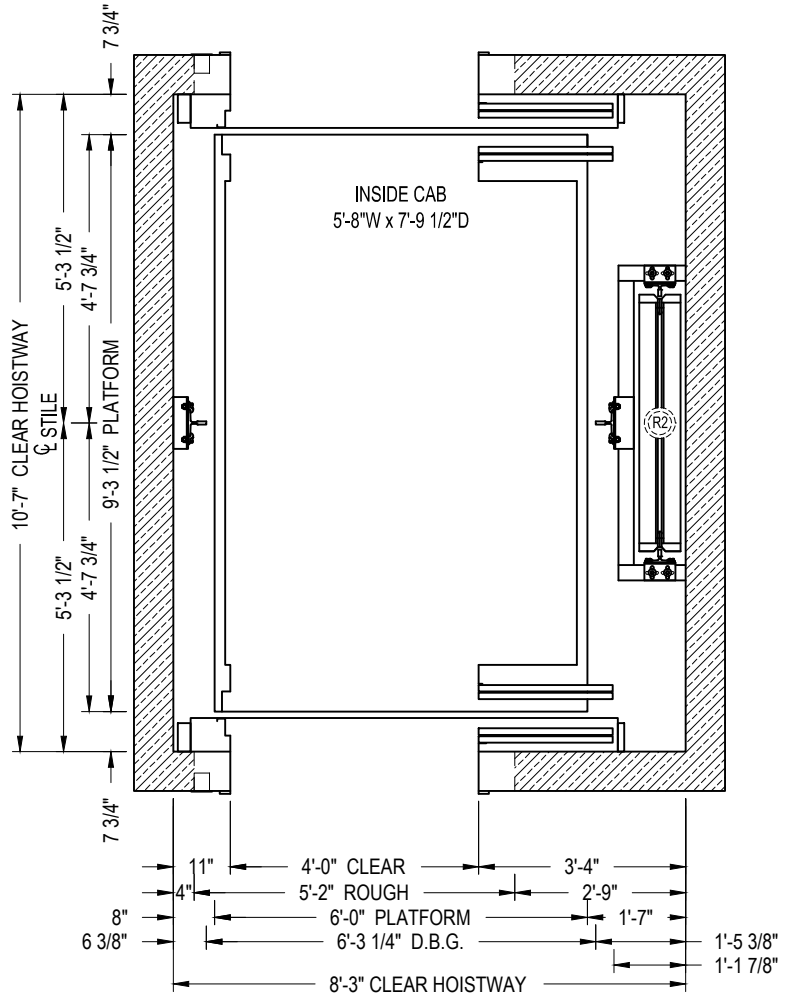


SECTION A-A  
NOT TO SCALE

\* CONSULT LITERATURE FOR SPEEDS EXCEEDING 200 fpm



TWO SPEED HOISTWAY PLAN

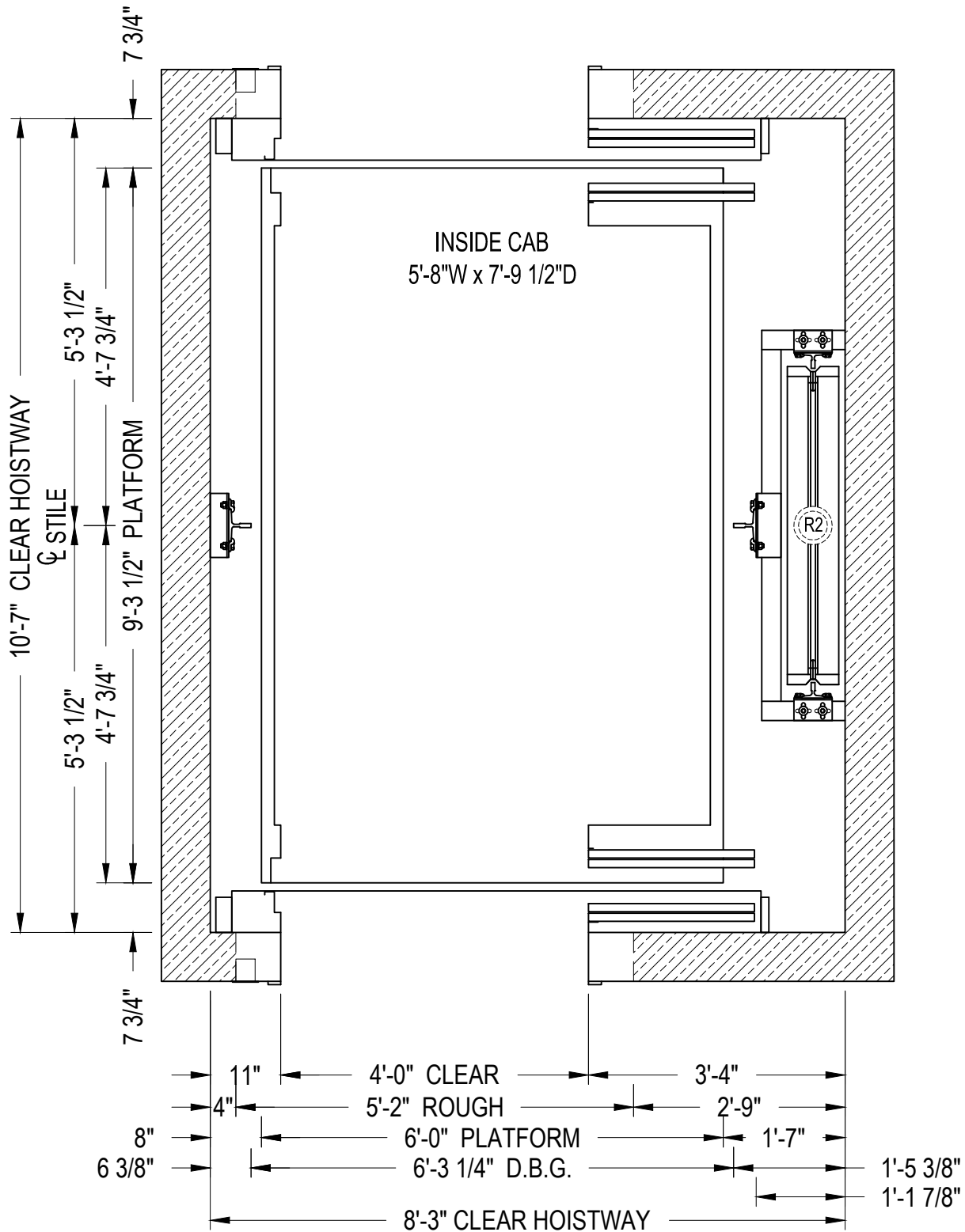


GEARLESS TRACTION  
ELEVATION & PLAN VIEW

CAPACITY 4500 lbs.

45HGLTTS2E14

TWO SPEED



TWO SPEED HOISTWAY PLAN



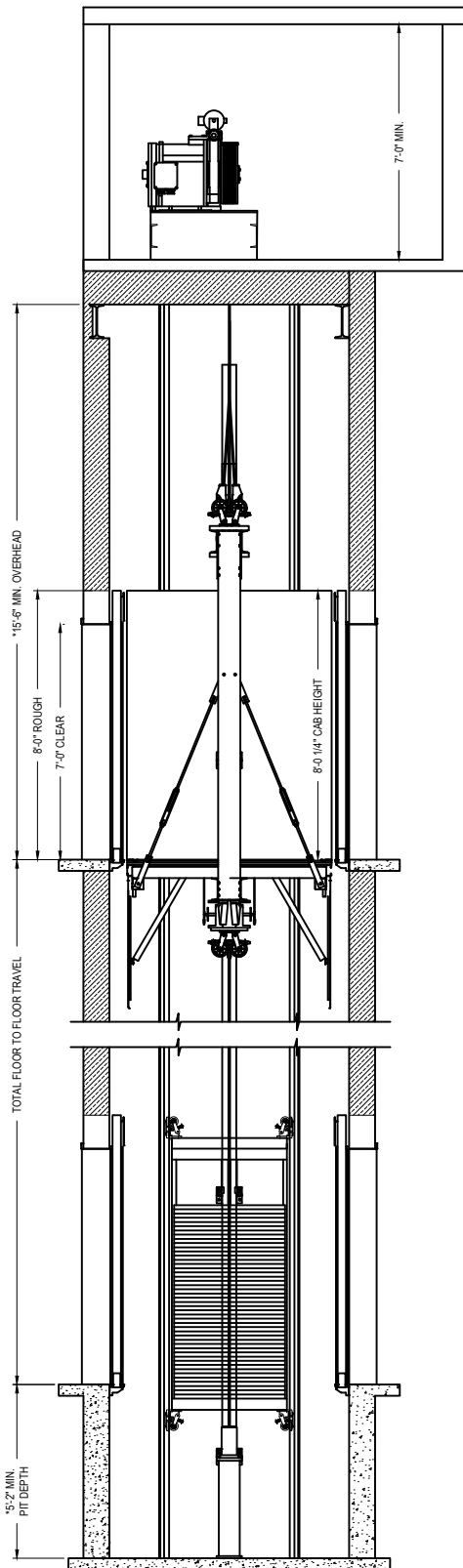
GEARLESS TRACTION

PLAN VIEW

CAPACITY 4500 lbs.

45HGLTTS2E14

TWO SPEED



SECTION A-A  
NOT TO SCALE

\*- CONSULT LITERATURE FOR SPEEDS EXCEEDING 200 fpm



GEARLESS TRACTION  
ELEVATION VIEW

CAPACITY 4500 lbs.

45HGLTTS2E14

TWO SPEED