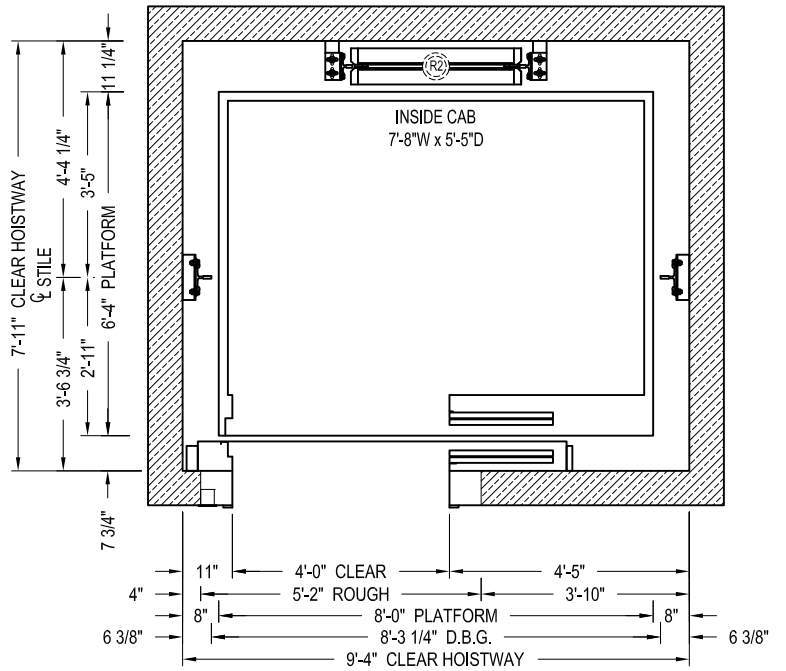


SECTION A-A  
NOT TO SCALE

\* CONSULT LITERATURE FOR  
SPEEDS EXCEEDING 200 fpm



TWO SPEED HOISTWAY PLAN

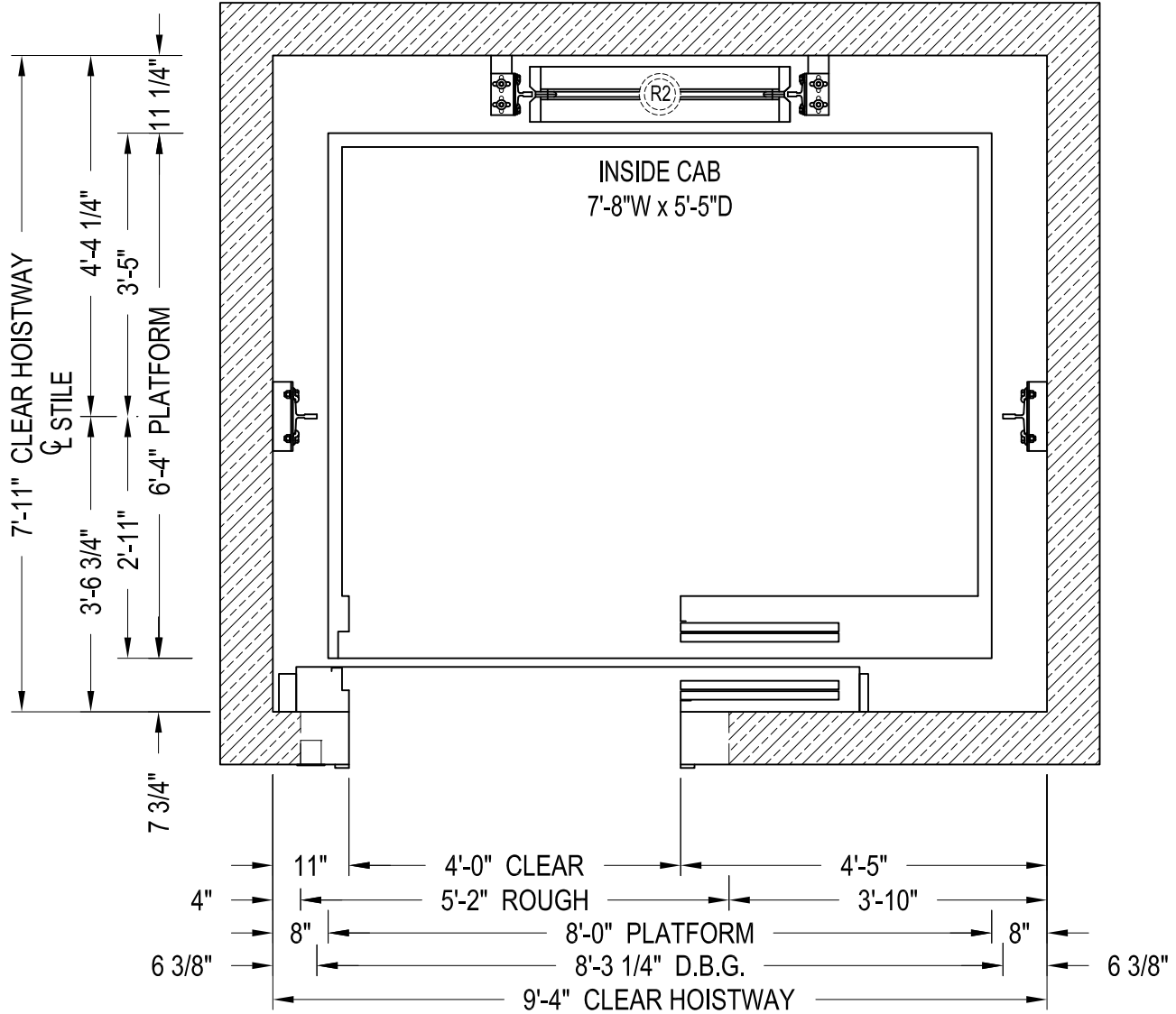


GEARLESS TRACTION  
ELEVATION & PLAN VIEW

CAPACITY 4000 lbs.

40GLTTS1E14

TWO SPEED



TWO SPEED HOISTWAY PLAN



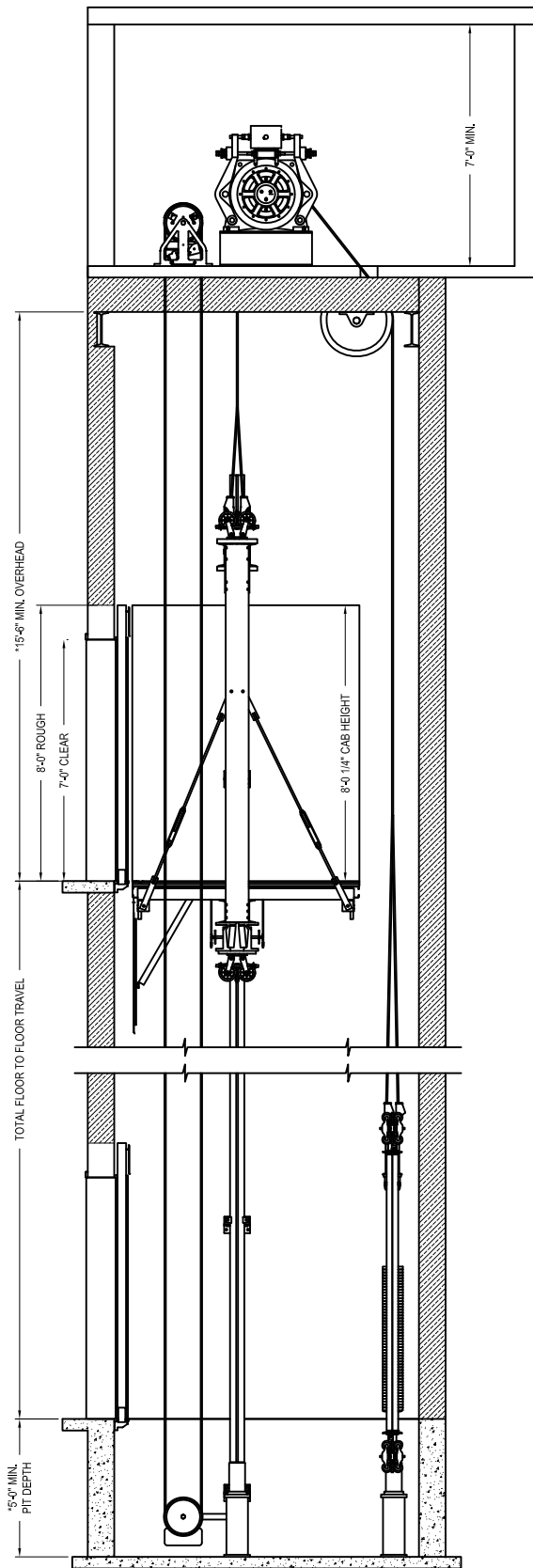
GEARLESS TRACTION

PLAN VIEW

CAPACITY 4000 lbs.

TWO SPEED

40GLTTS1E14



SECTION A-A  
NOT TO SCALE

\*- CONSULT LITERATURE FOR SPEEDS EXCEEDING 200 fpm



GEARLESS TRACTION  
ELEVATION VIEW

CAPACITY 4000 lbs.  
TWO SPEED

40GLTTS1E14