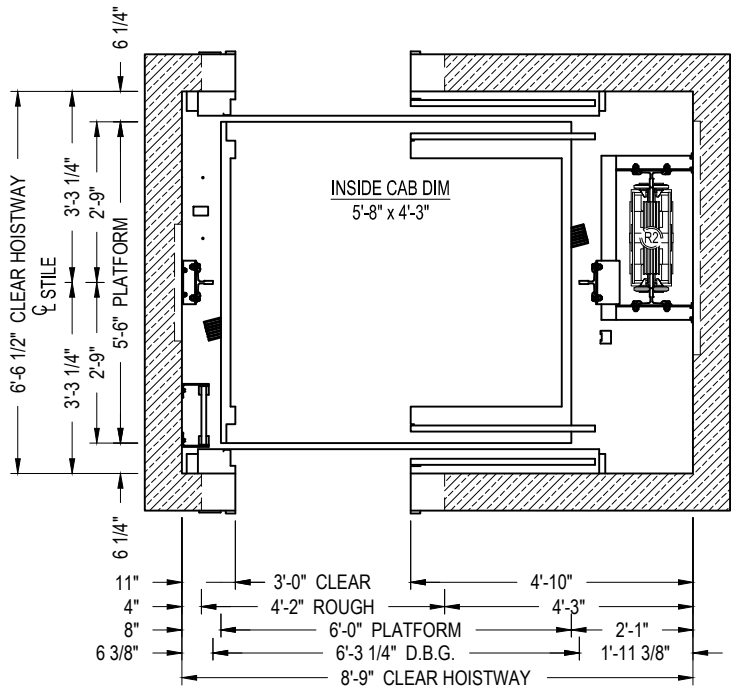


SECTION A-A
NOT TO SCALE

*- CONSULT LITERATURE FOR SPEEDS EXCEEDING 200 fpm



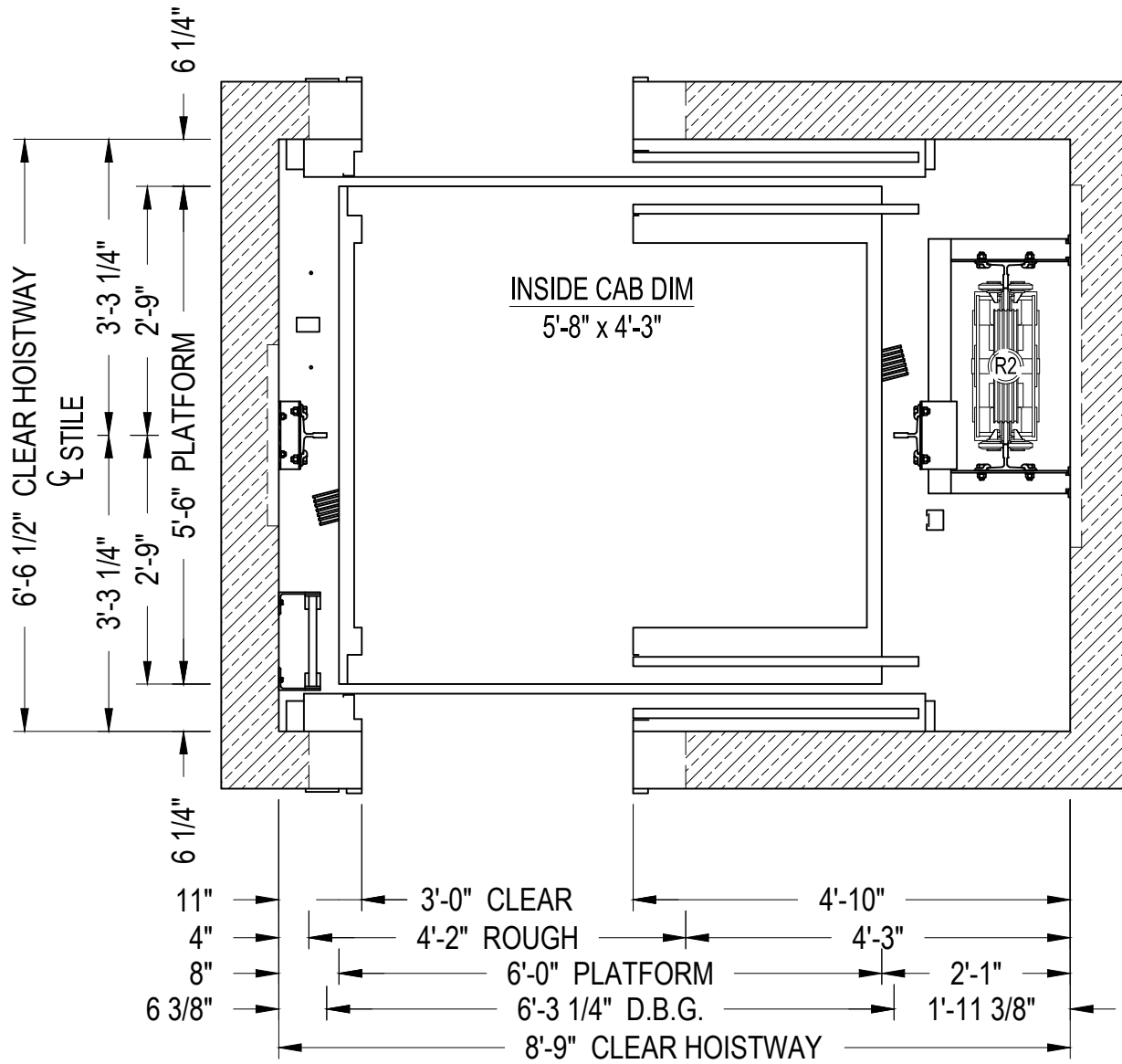
SINGLE SPEED HOISTWAY PLAN



MRL TRACTION
ELEVATION & PLAN VIEW

CAPACITY 2000 lbs.
SINGLE SLIDE

20MRLSS2E14



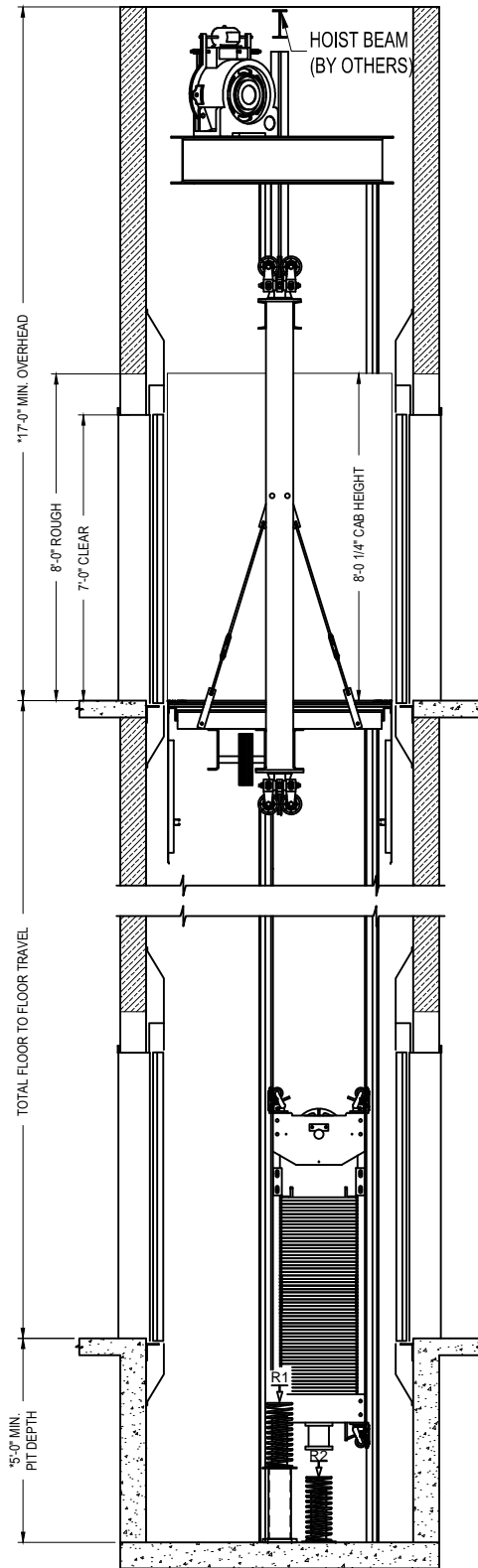
SINGLE SPEED HOISTWAY PLAN



MRL TRACTION
PLAN VIEW

CAPACITY 2000 lbs.
SINGLE SLIDE

20MRLSS2E14



SECTION A-A
NOT TO SCALE

*- CONSULT LITERATURE FOR SPEEDS EXCEEDING 200 fpm



MRL TRACTION
ELEVATION VIEW

CAPACITY 2000 lbs.
SINGLE SLIDE

20MRLSS2E14