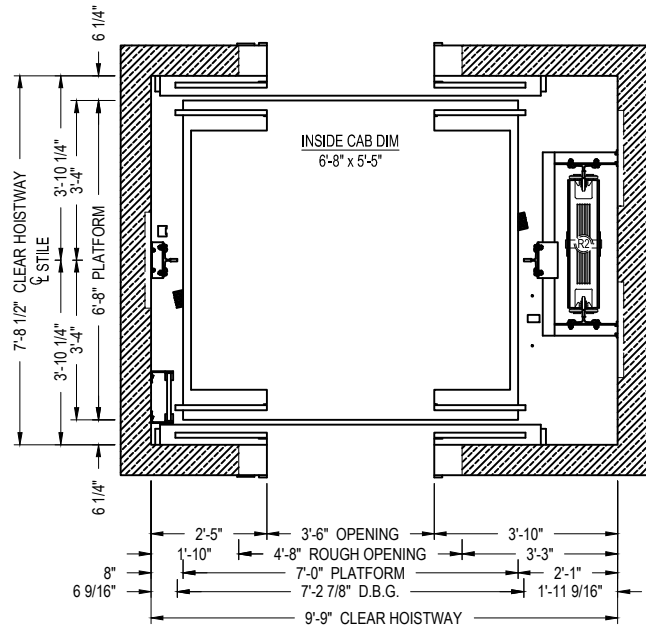
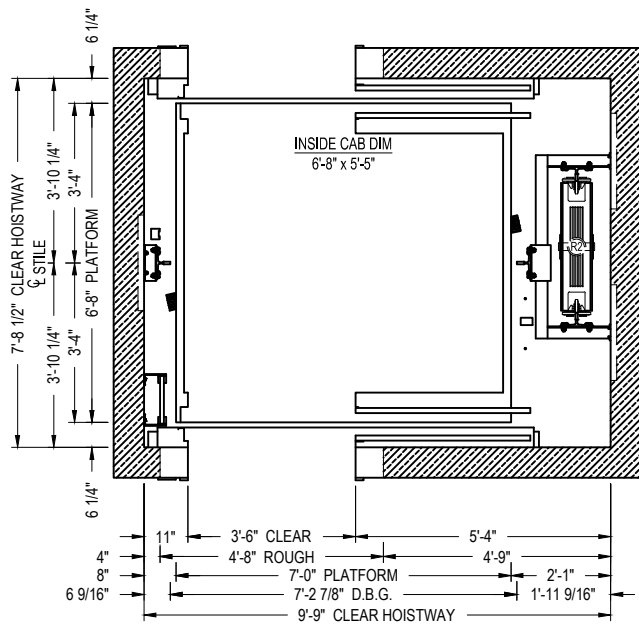


SECTION A-A
NOT TO SCALE

*. CONSULT LITERATUR
SPEEDS EXCEEDING 20



CENTER PARTING HOISTWAY PLAN



SINGLE SPEED HOISTWAY PLAN

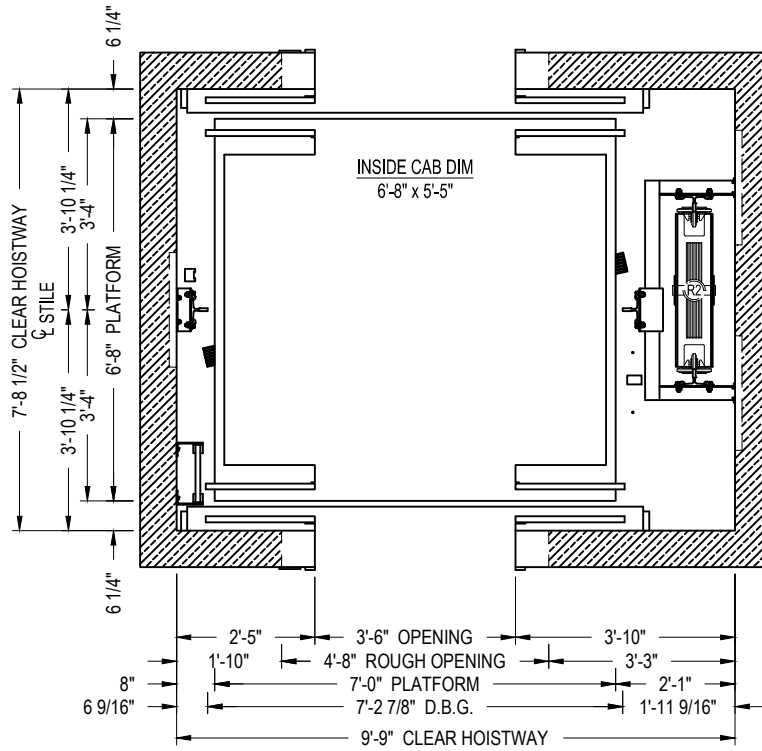


MRL TRACTION
ELEVATION & PLAN VIEW

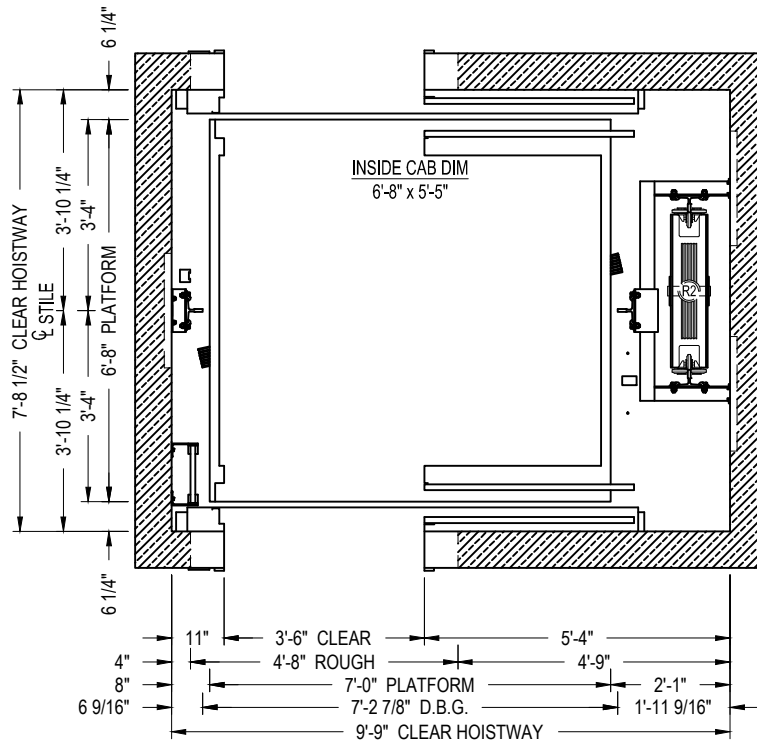
CAPACITY 3500 lbs.

35MRLSS2E14

SINGLE SLIDE & CENTER PARTING



CENTER PARTING HOISTWAY PLAN



SINGLE SPEED HOISTWAY PLAN

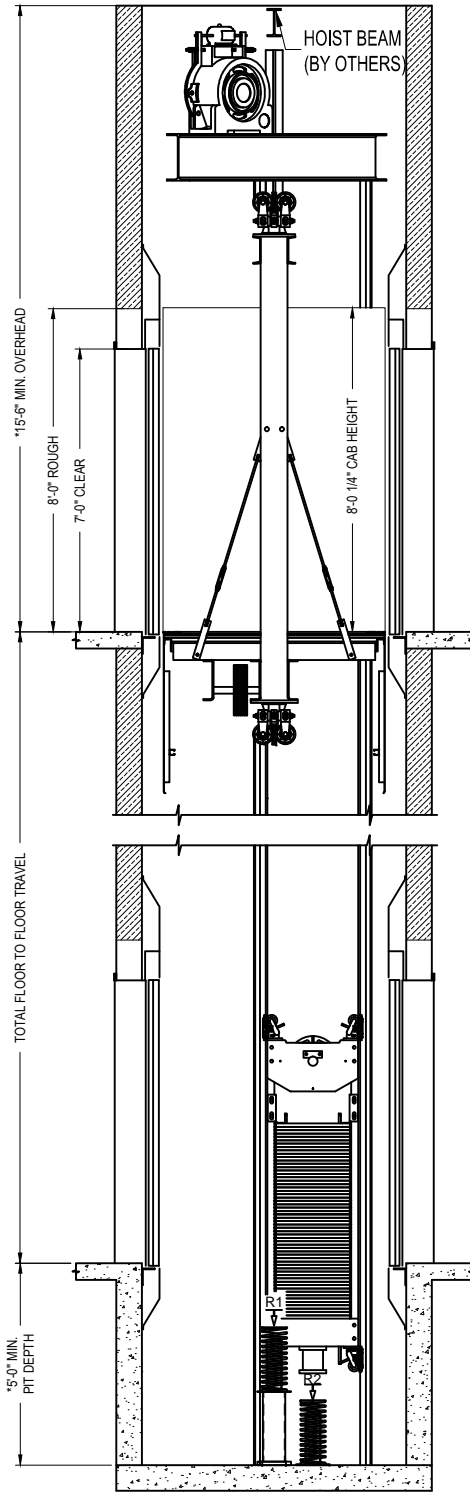


**MRL TRACTION
PLAN VIEW**

CAPACITY 3500 lbs.

35MRLSS2E14

SINGLE SLIDE & CENTER PARTING



SECTION A-A
NOT TO SCALE

*- CONSULT LITERATURE FOR SPEEDS EXCEEDING 200 fpm



MRL TRACTION
ELEVATION VIEW

CAPACITY 3500 lbs.

35MRLSS2E14

SINGLE SLIDE & CENTER PARTING