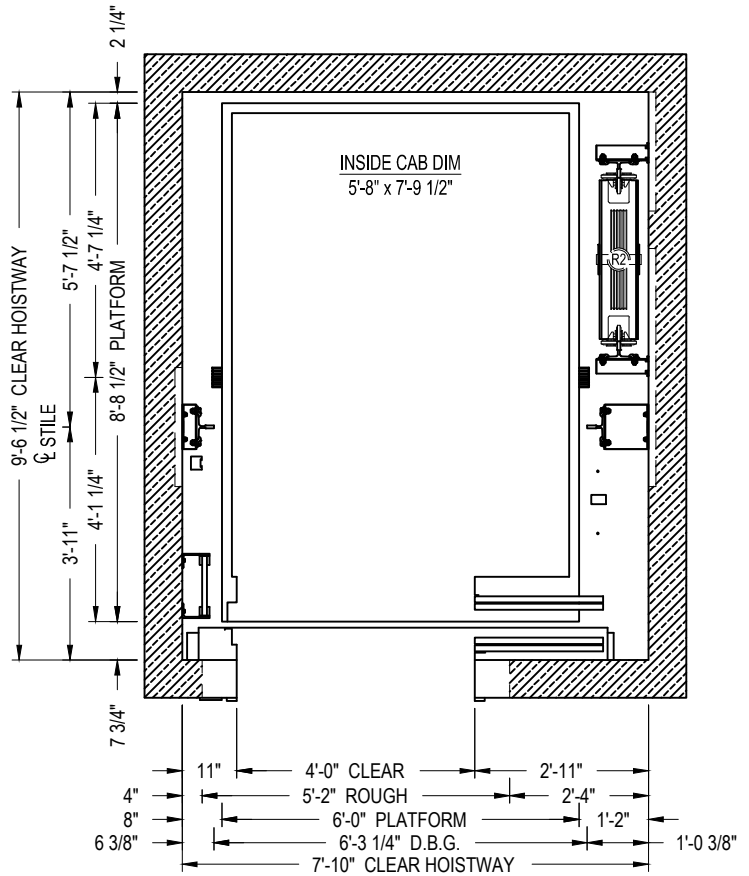


SECTION A-A
NOT TO SCALE

* CONSULT LITERATURE FOR SPEEDS EXCEEDING 200 fpm



TWO SPEED HOISTWAY PLAN

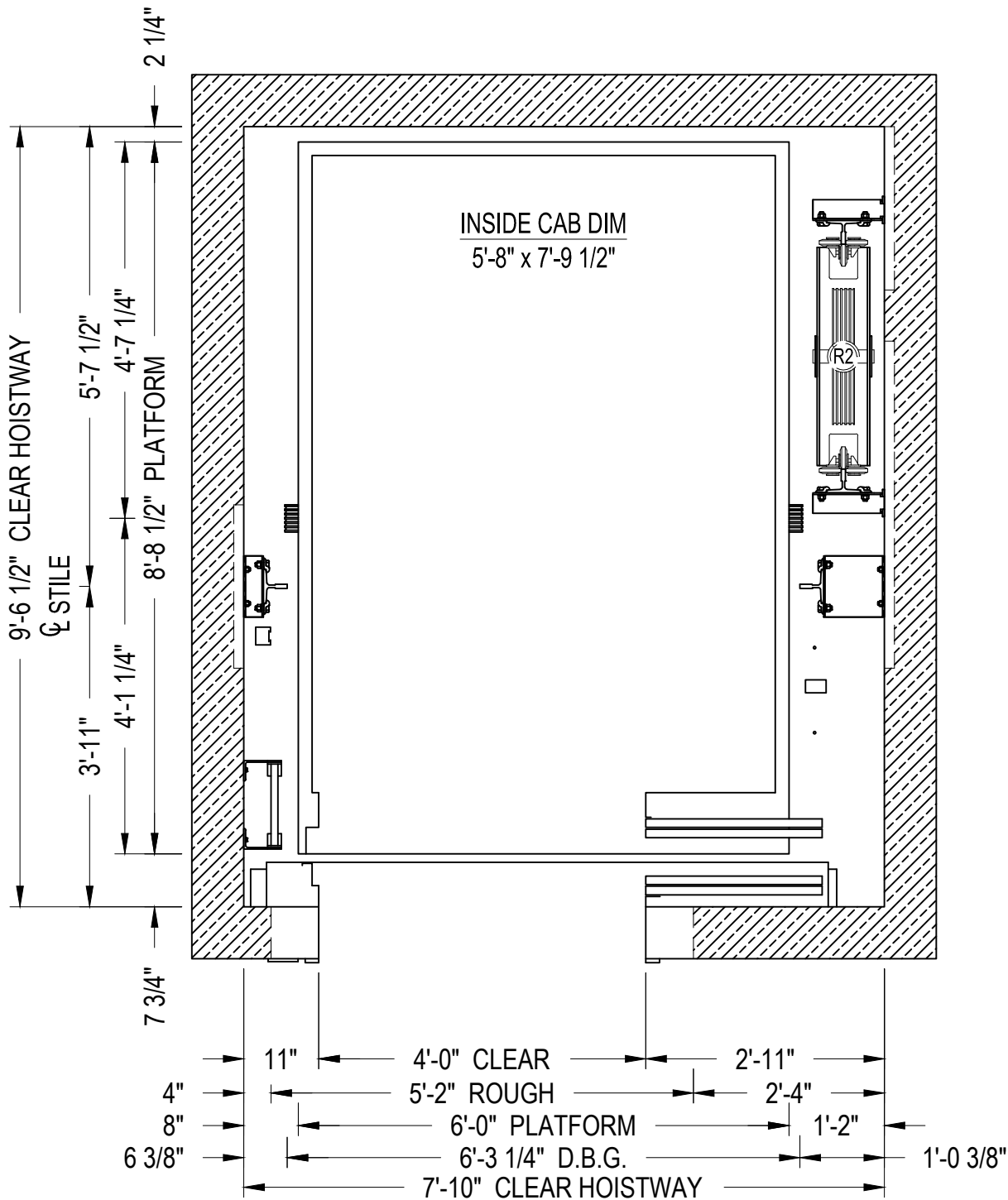


MRL TRACTION
ELEVATION & PLAN VIEW

CAPACITY 4500 lbs.

45HMRLTS1E14

TWO SPEED



TWO SPEED HOISTWAY PLAN



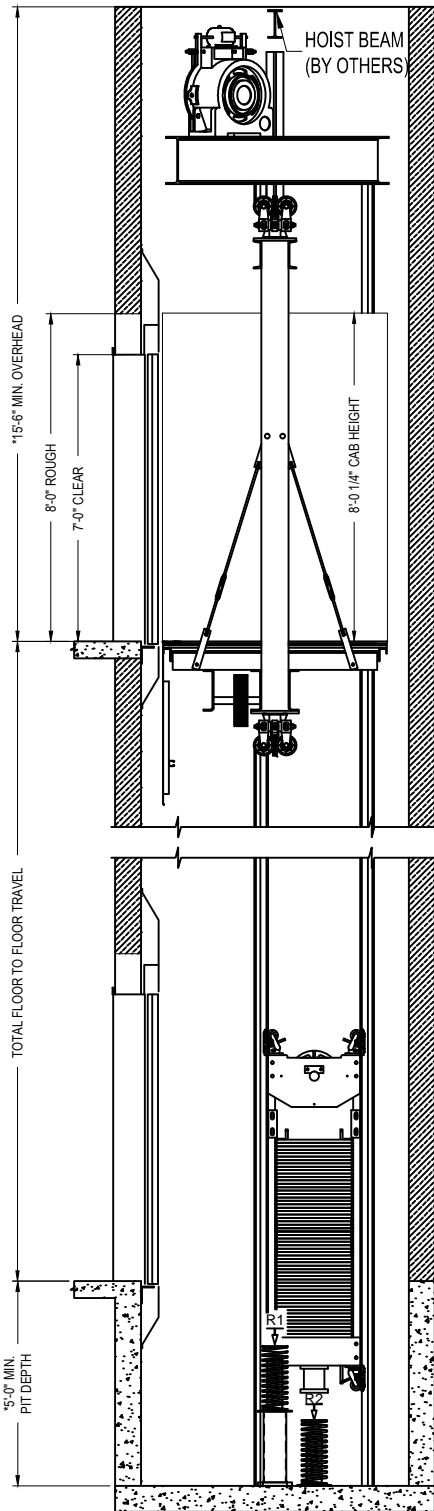
MRL TRACTION

CAPACITY 4500 lbs.

45HMRLTS1E14

PLAN VIEW

TWO SPEED



SECTION A-A
NOT TO SCALE

*- CONSULT LITERATURE FOR SPEEDS EXCEEDING 200 fpm



MRL TRACTION
ELEVATION VIEW

CAPACITY 4500 lbs.
TWO SPEED

45HMRLTS1E14