

SECTION A-A

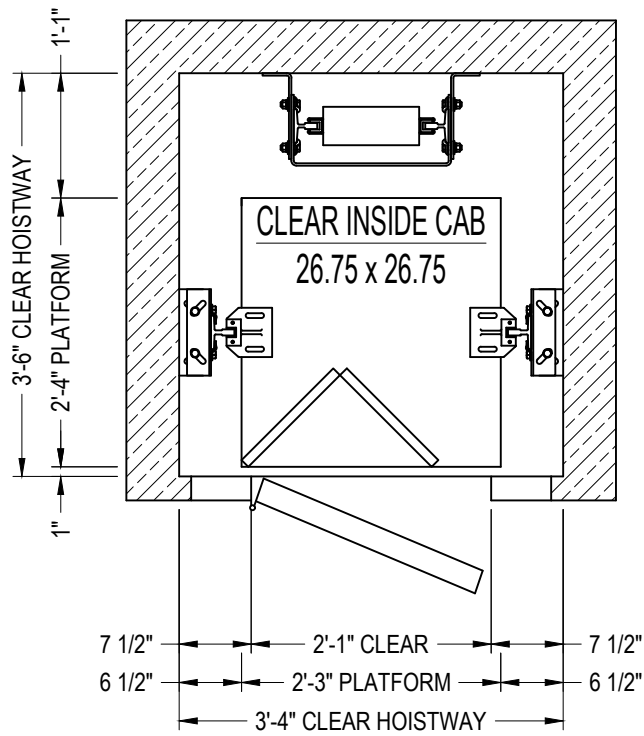


SPPE / MANLIFT  
ELEVATION VIEW

CAPACITY 300 lbs.

3MLRC1E14

REAR CWT



HOISTWAY PLAN



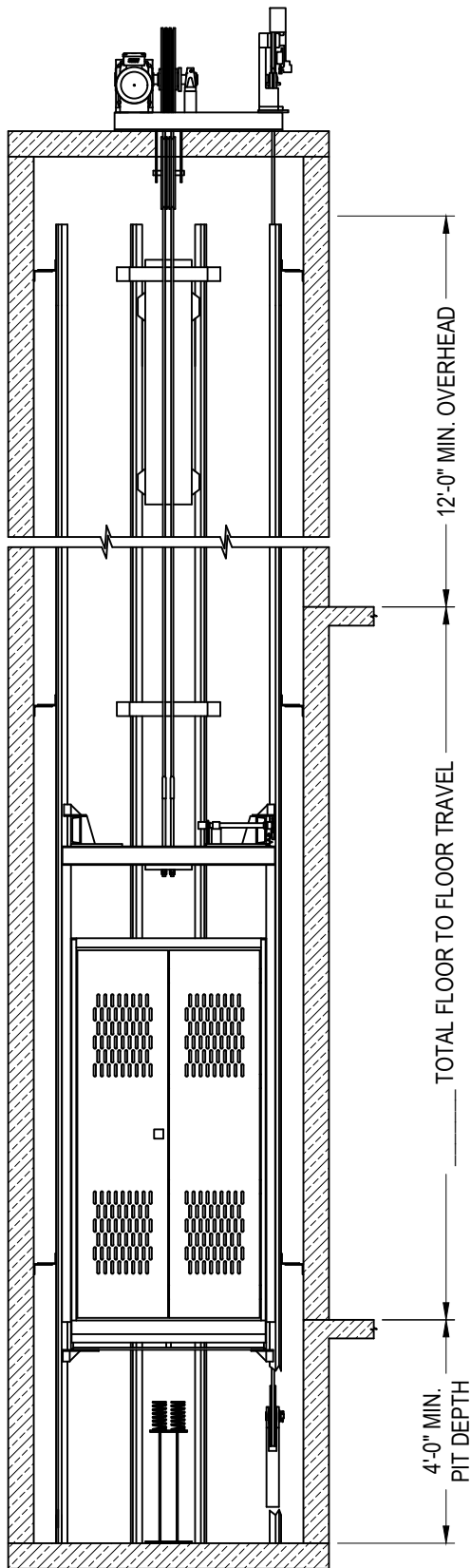
SPPE / MANLIFT

PLAN VIEW

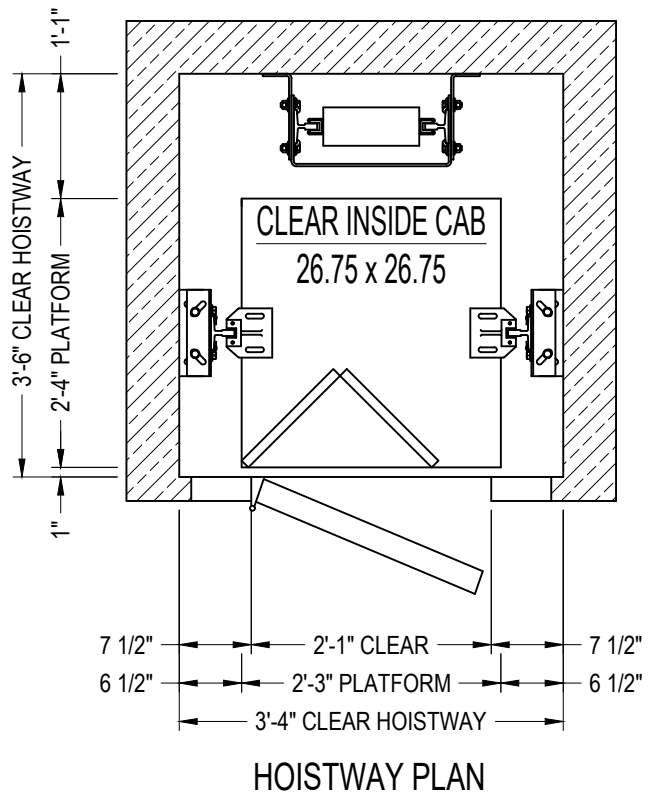
CAPACITY 300 lbs.

3MLRC1E14

REAR CWT



SECTION A-A



SPPE / MANLIFT  
ELEVATION & PLAN VIEW

CAPACITY 300 lbs.

3MLRC1E14

REAR CWT