

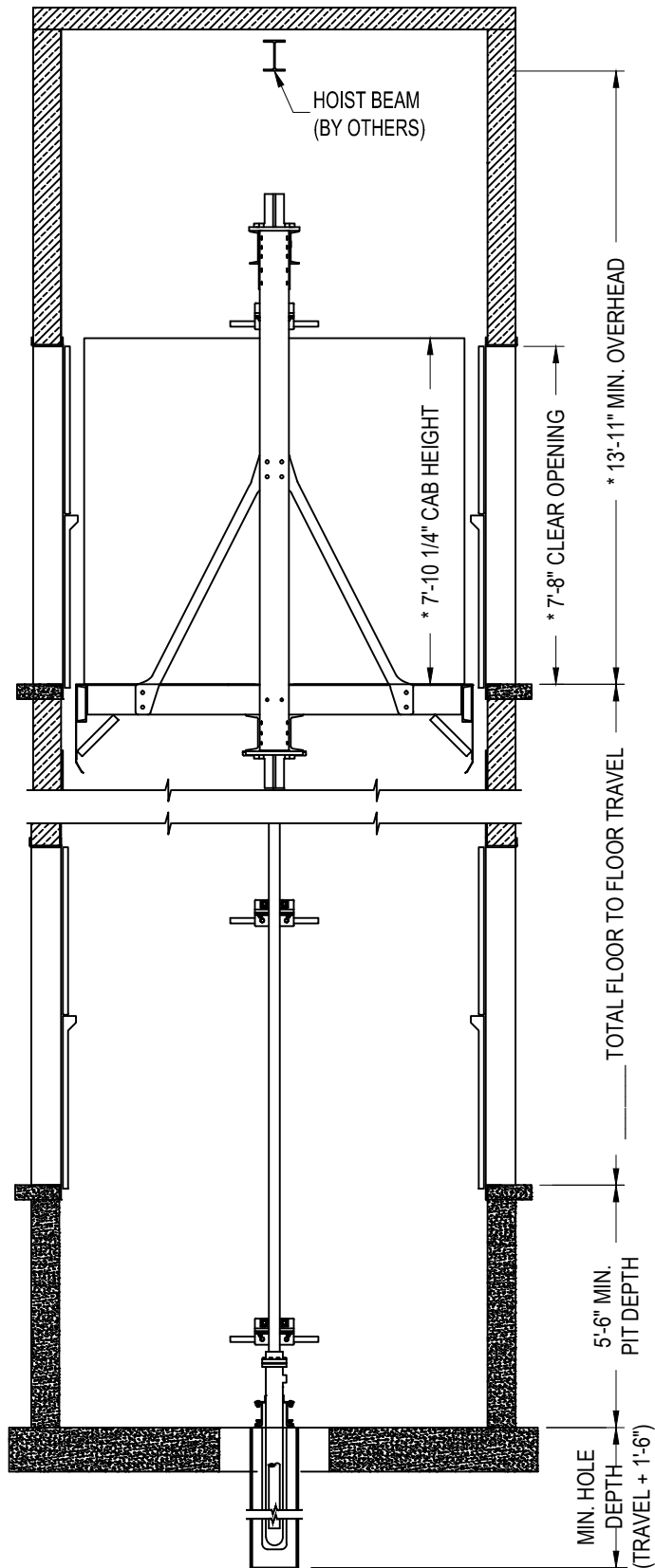
SECTION A-A
NOT TO SCALE

* DIMENSIONS BASED ON 7'-8" INSIDE CAB.
OTHER OPTIONS AVAILABLE.
CONSULT LITERATURE.



FREIGHT IN-GROUND
ELEVATION & PLAN VIEW

CAPACITY 6000 lbs.	60FIG2E14
FREIGHT (Class B)	



SECTION A-A
NOT TO SCALE

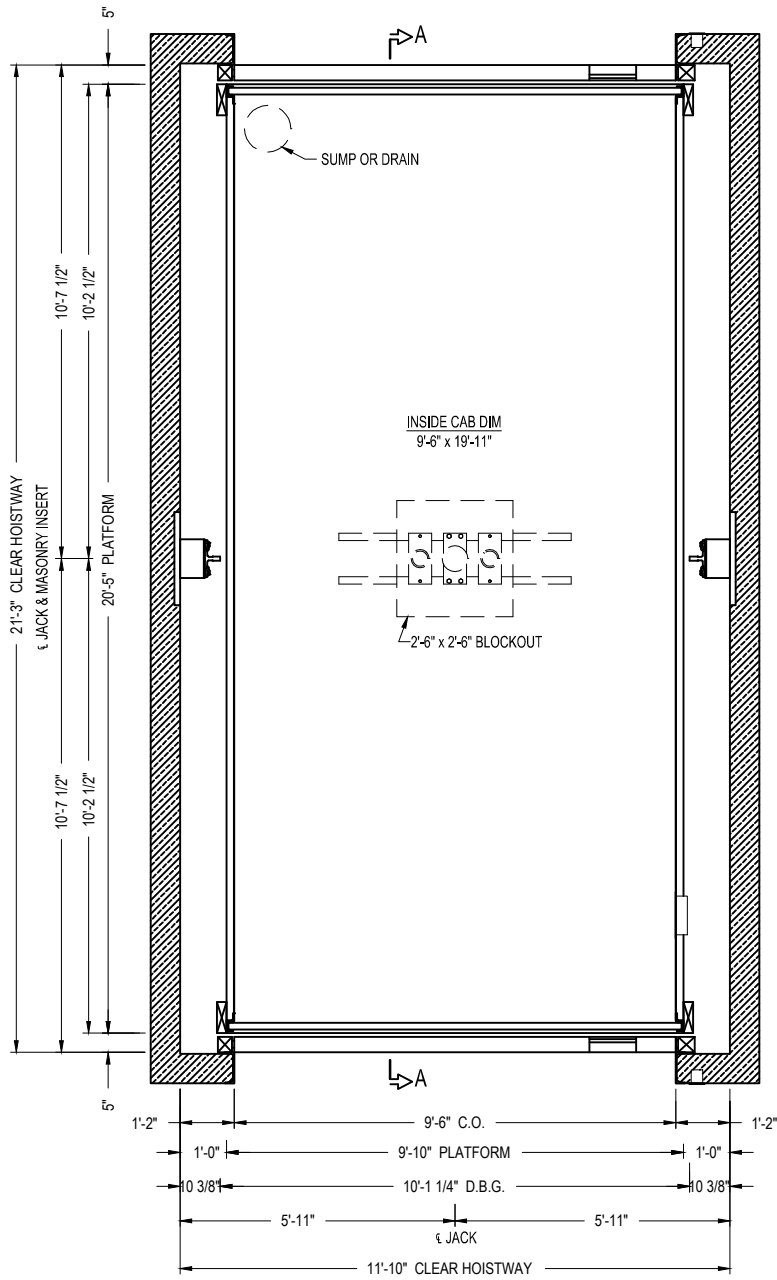
* DIMENSIONS BASED ON 7'-8" INSIDE CAB.
OTHER OPTIONS AVAILABLE.
CONSULT LITERATURE.



FREIGHT IN-GROUND
ELEVATION VIEW

CAPACITY 6000 lbs.
FREIGHT (Class B)

60FIG2E14



HOISTWAY PLAN



**FREIGHT IN-GROUND
 PLAN VIEW**

**CAPACITY 6000 lbs.
 FREIGHT (Class B)**

60FIG2E14