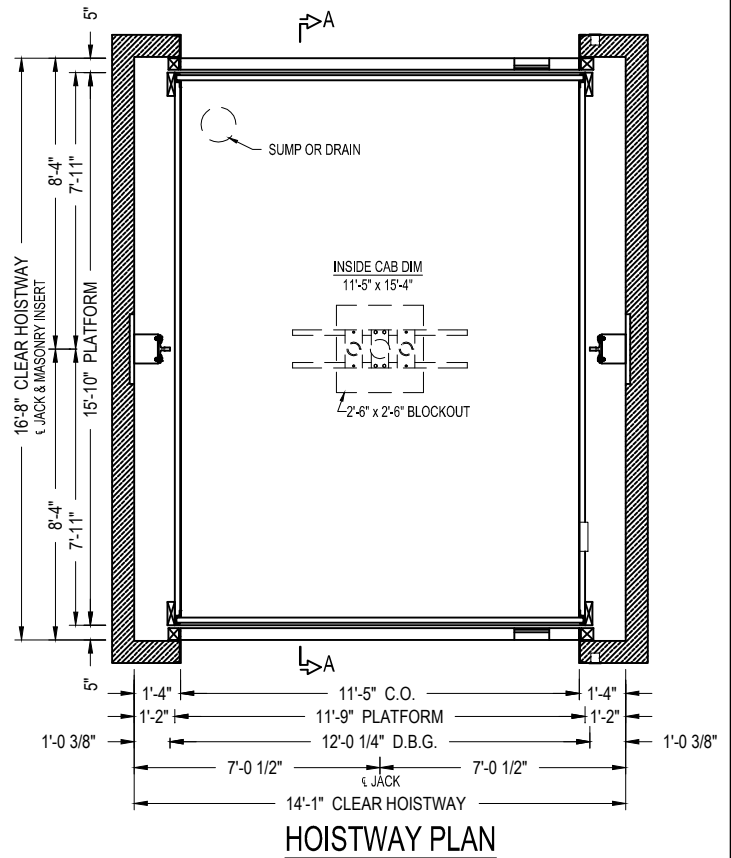


SECTION A-A
NOT TO SCALE

* DIMENSIONS BASED ON 7'-8" INSIDE CAB.
OTHER OPTIONS AVAILABLE.
CONSULT LITERATURE.

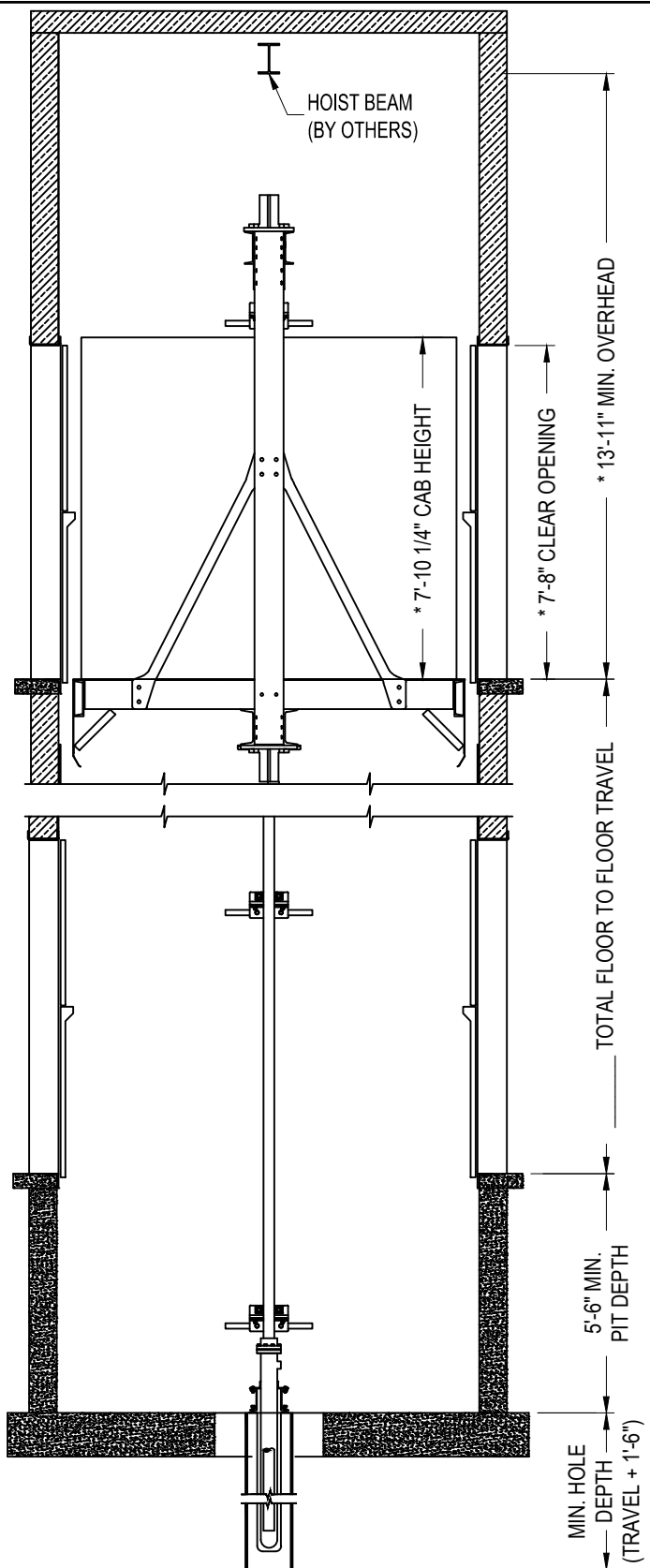


HOISTWAY PLAN



**FREIGHT IN-GROUND
ELEVATION & PLAN VIEW**

CAPACITY 15,000 lbs. 150FIG2E14
FREIGHT



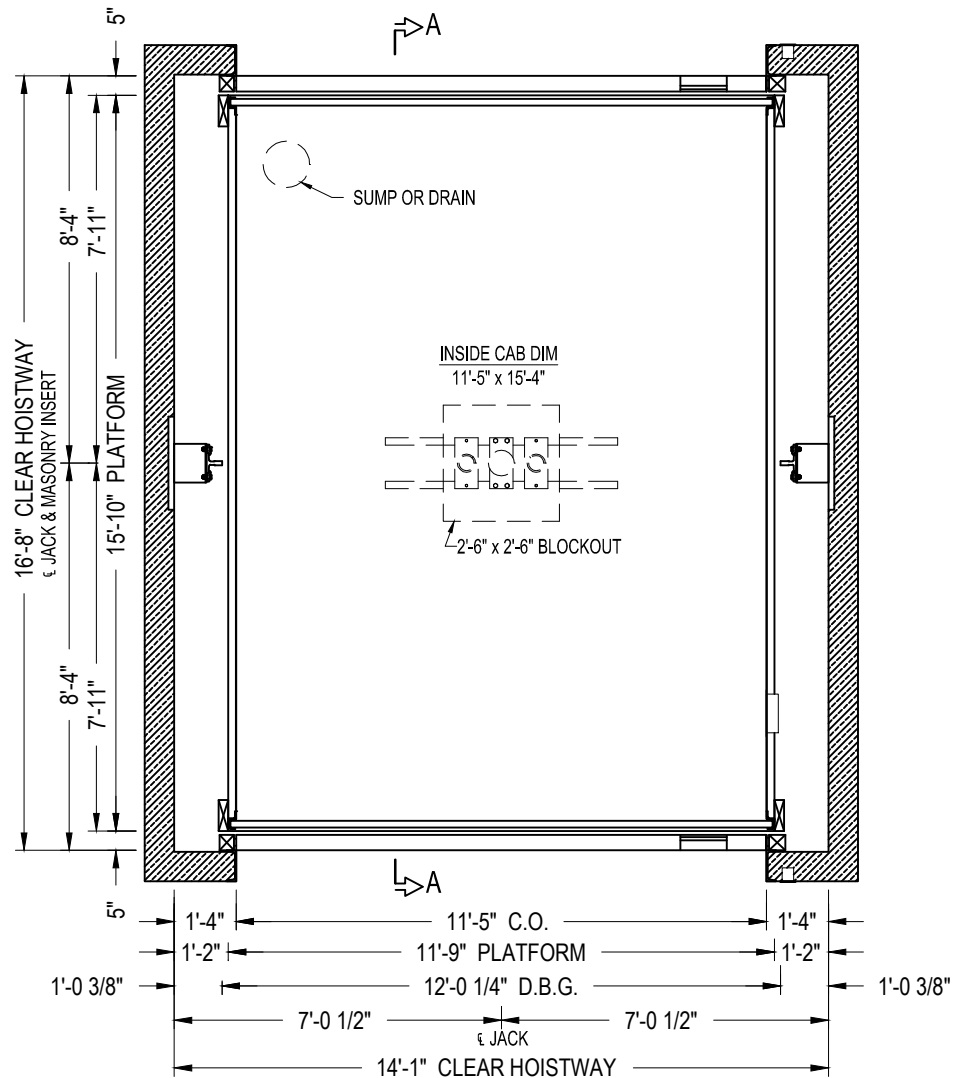
SECTION A-A
NOT TO SCALE

* DIMENSIONS BASED ON 7'-8" INSIDE CAB.
OTHER OPTIONS AVAILABLE.
CONSULT LITERATURE.



FREIGHT IN-GROUND
ELEVATION VIEW

CAPACITY 15,000 lbs.	150FIG2E14
FREIGHT	



HOISTWAY PLAN



**FREIGHT IN-GROUND
 PLAN VIEW**

**CAPACITY 15,000 lbs. 150FIG2E14
 FREIGHT**