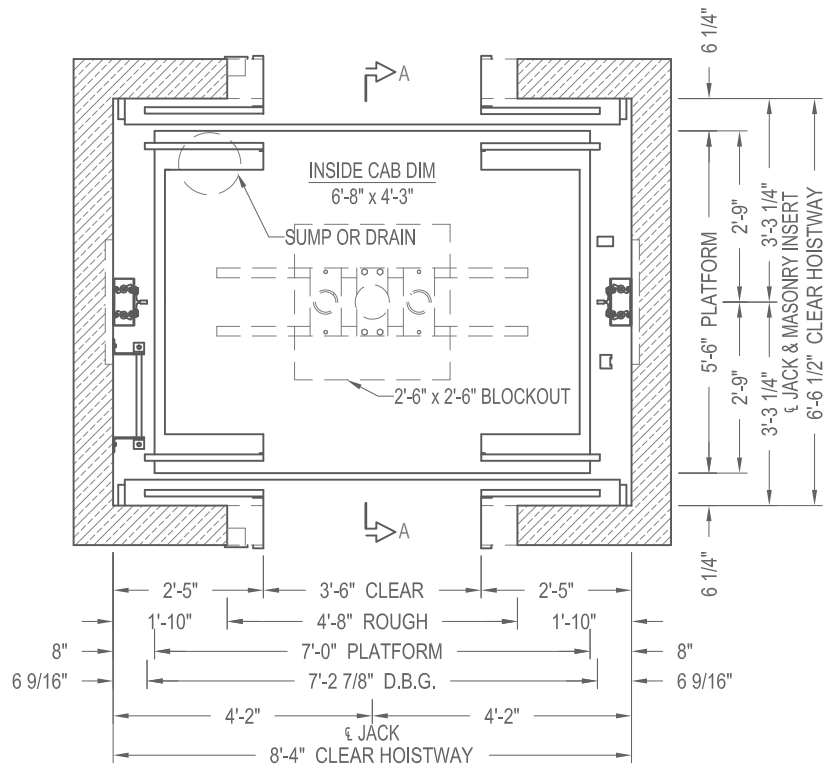
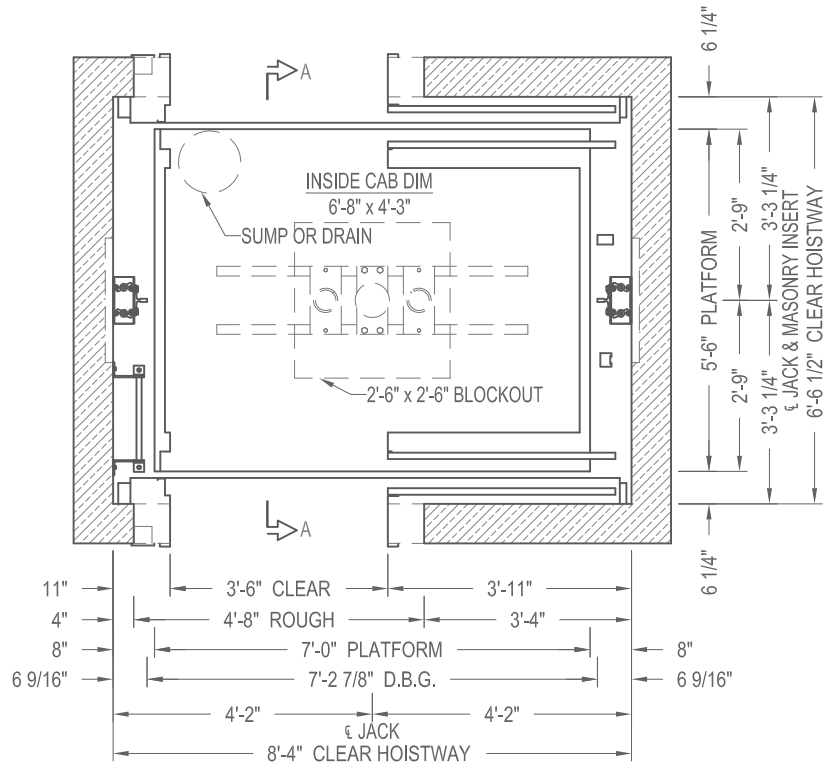


SECTION A-A
NOT TO SCALE



CENTER PARTING HOISTWAY PLAN



SINGLE SPEED HOISTWAY PLAN

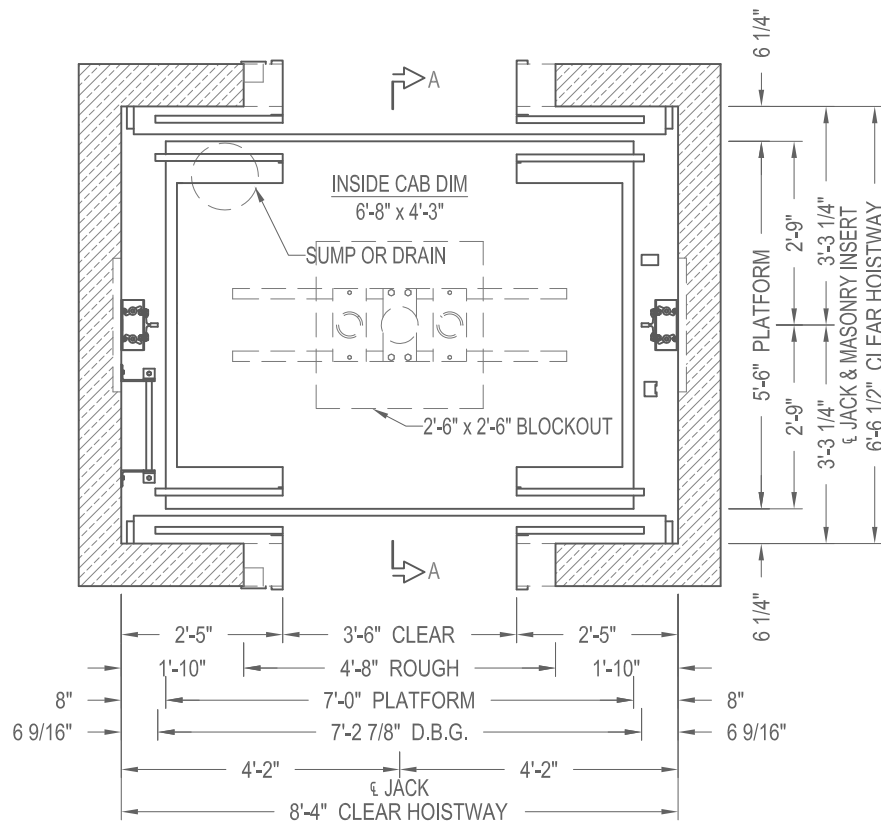


PASSENGER IN-GROUND
ELEVATION & PLAN VIEW

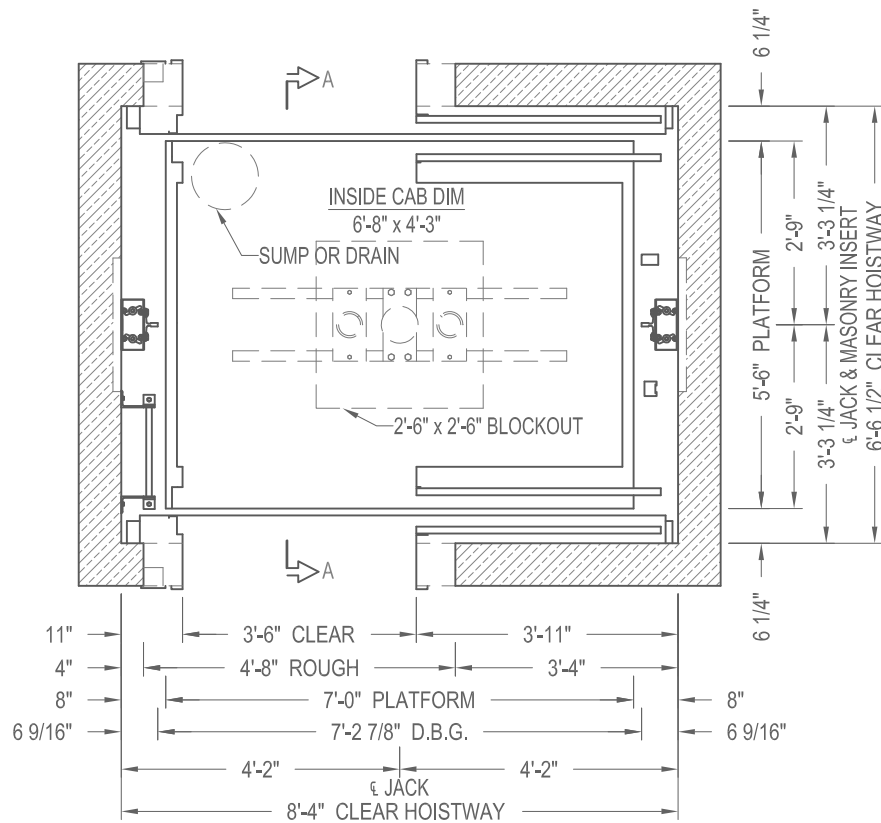
CAPACITY 2500 lbs.

25IGSS2E14

SINGLE SLIDE & CENTER PARTING



CENTER PARTING HOISTWAY PLAN



SINGLE SPEED HOISTWAY PLAN

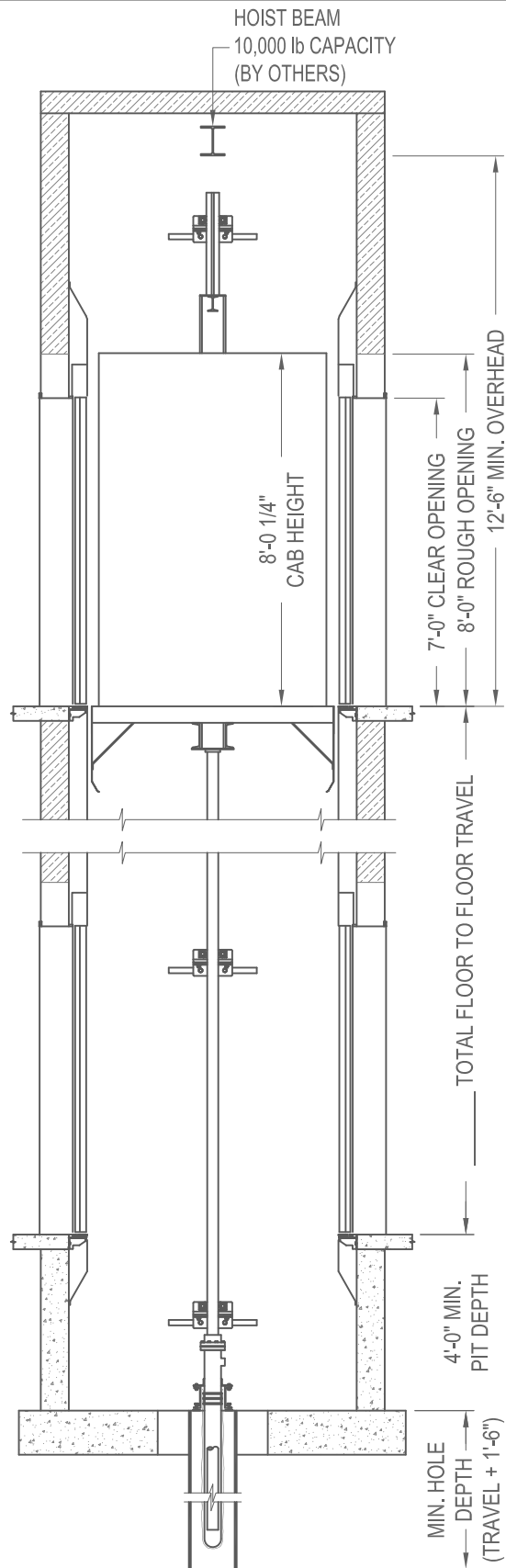


PASSENGER IN-GROUND
PLAN VIEW

CAPACITY 2500 lbs.

251GSS2E14

SINGLE SLIDE & CENTER PARTING



SECTION A-A
NOT TO SCALE



PASSENGER IN-GROUND
ELEVATION VIEW

CAPACITY 2500 lbs.

25IGSS2E14

SINGLE SLIDE & CENTER PARTING