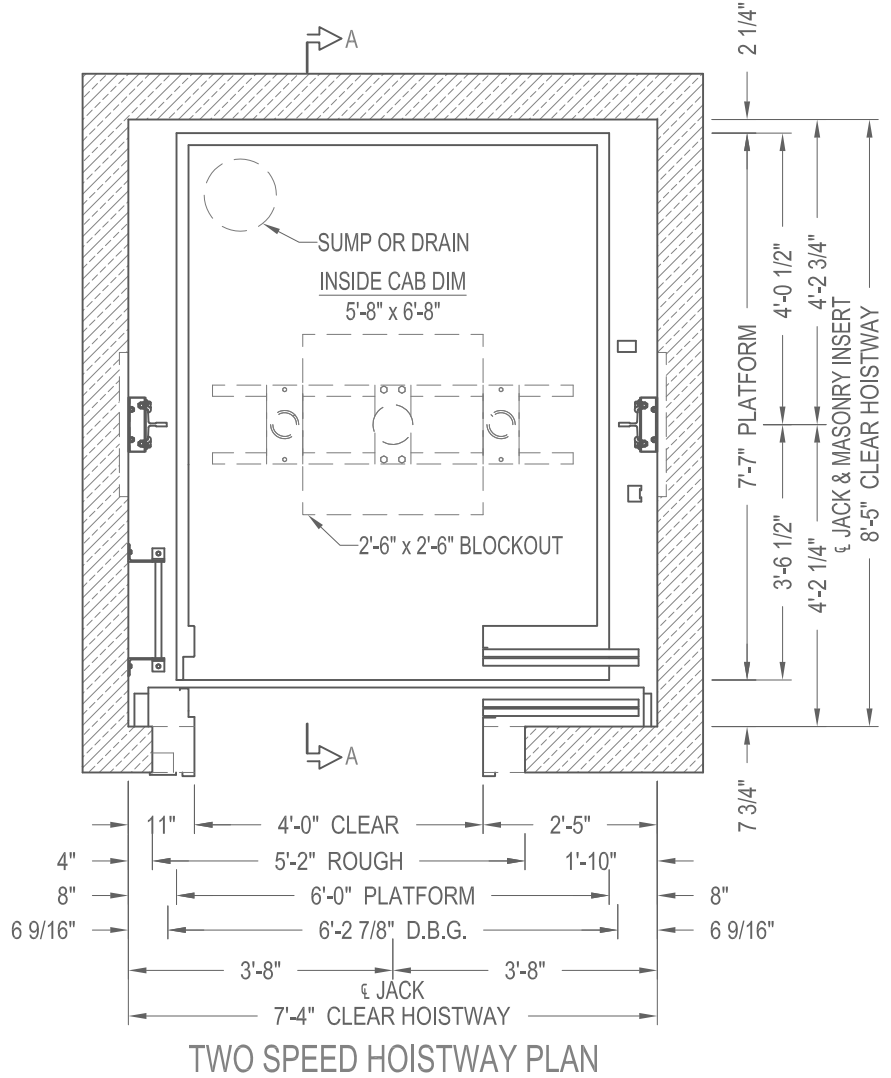
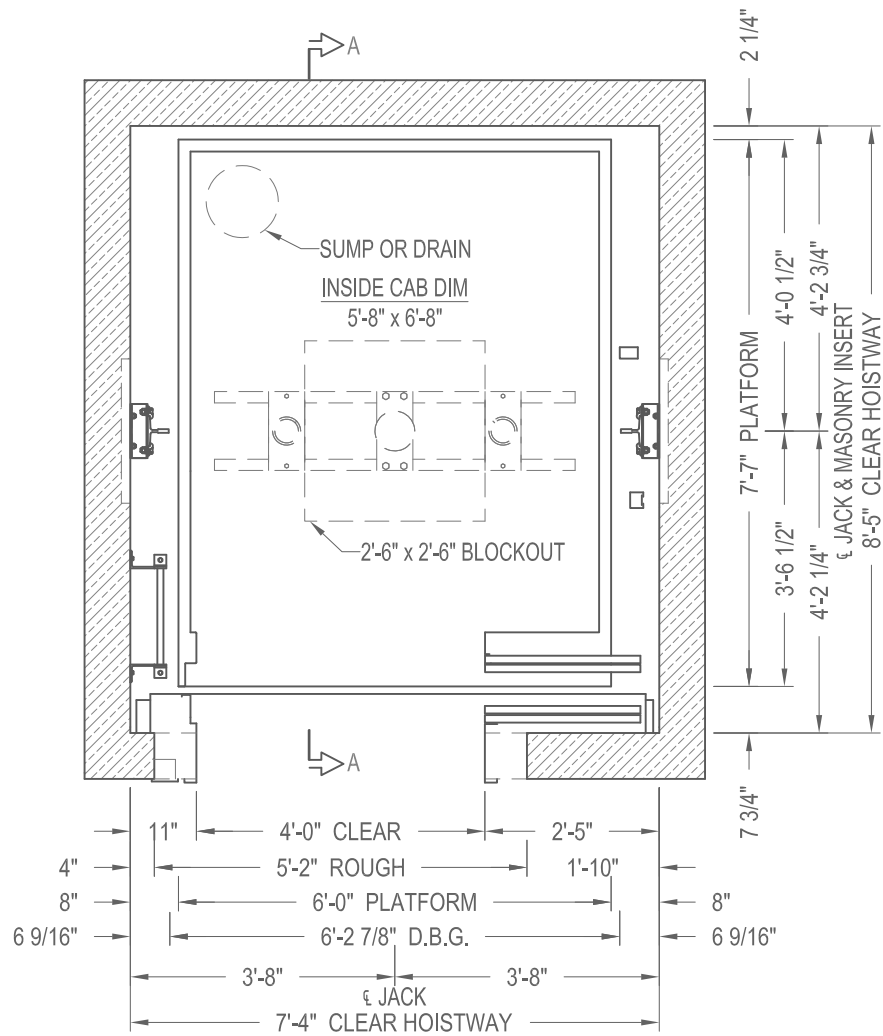


SECTION A-A
NOT TO SCALE



PASSENGER IN-GROUND
ELEVATION & PLAN VIEW

CAPACITY 3500 lbs. 35HIGTS1E14
TWO SPEED HOSPITAL



TWO SPEED HOISTWAY PLAN

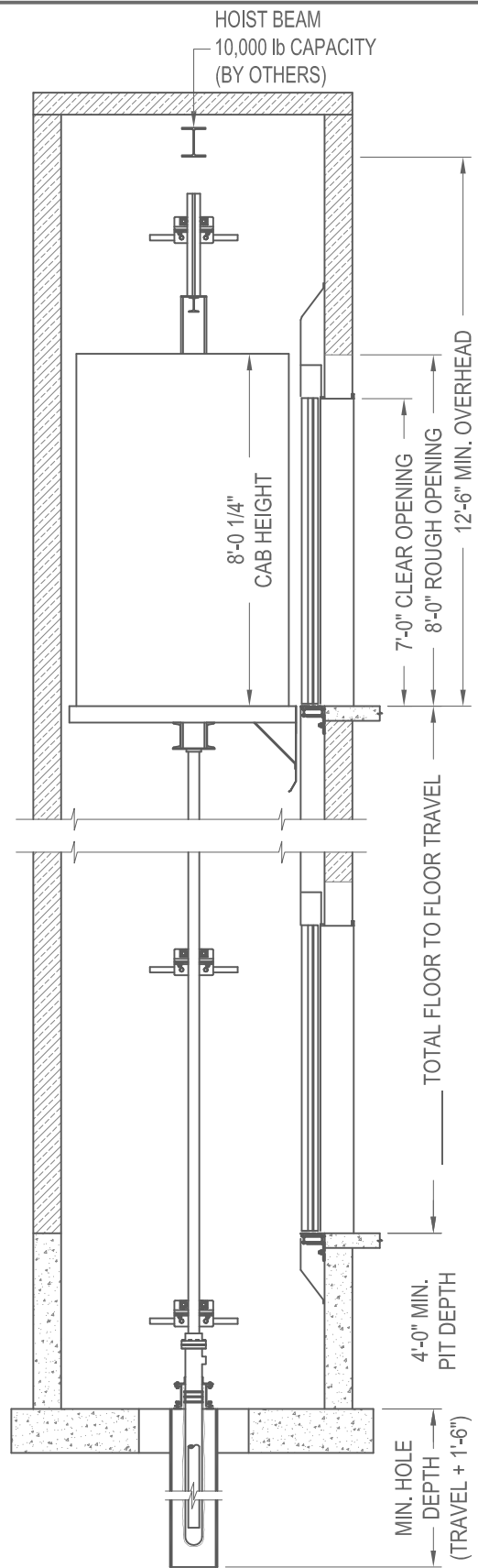


PASSENGER IN-GROUND
 PLAN VIEW

CAPACITY 3500 lbs.

35HIGTS1E14

TWO SPEED HOSPITAL



SECTION A-A
NOT TO SCALE



PASSENGER IN-GROUND
ELEVATION VIEW

CAPACITY 3500 lbs.

35HIGTS1E14

TWO SPEED HOSPITAL