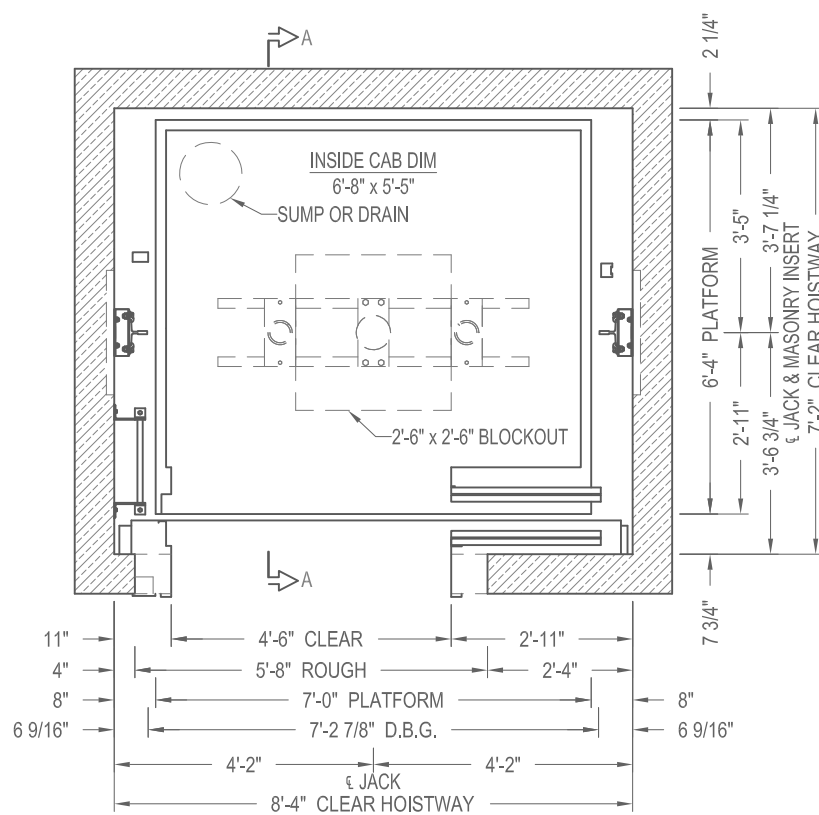


SECTION A-A  
NOT TO SCALE



TWO SPEED HOISTWAY PLAN

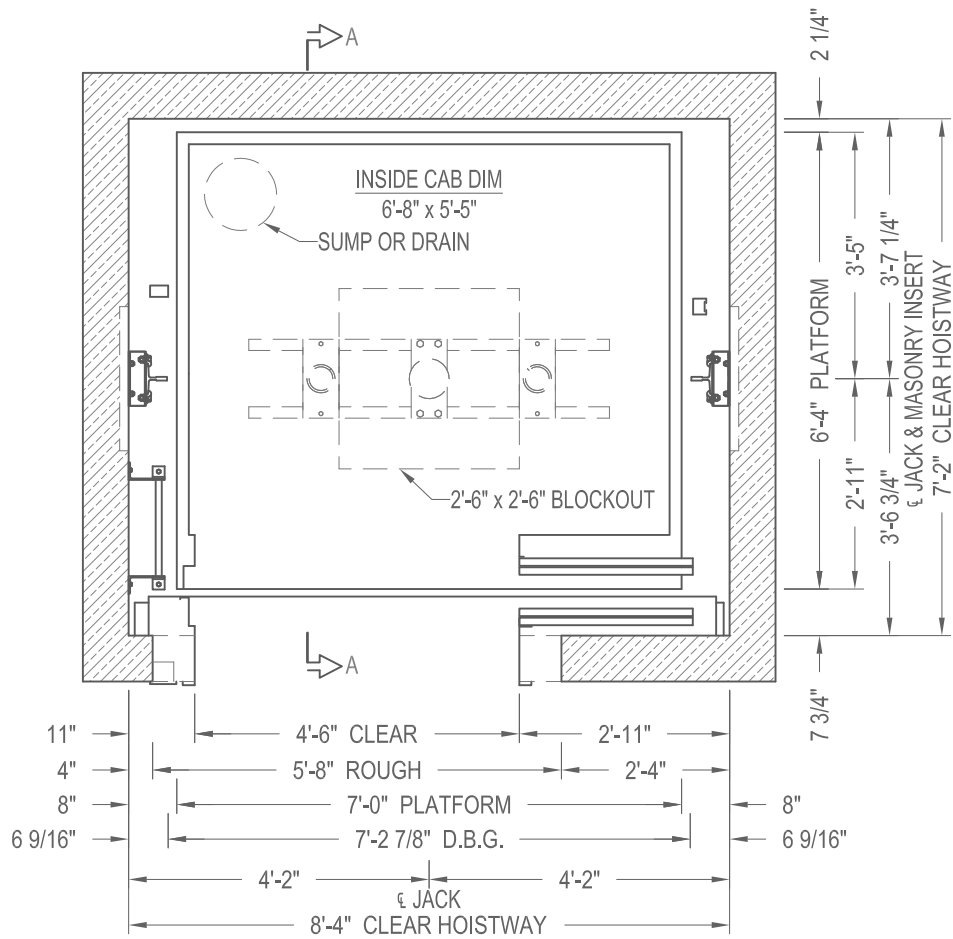


PASSENGER IN-GROUND  
ELEVATION & PLAN VIEW

CAPACITY 3500 lbs.

35IGTS1E14

TWO SPEED



TWO SPEED HOISTWAY PLAN

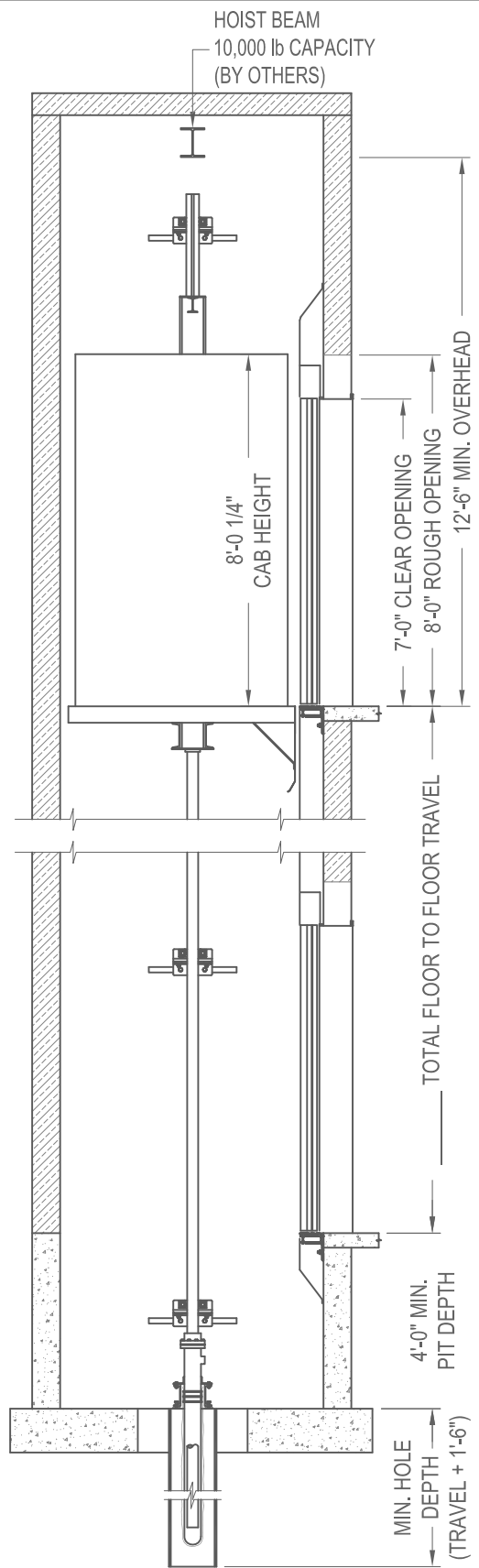


PASSENGER IN-GROUND  
PLAN VIEW

CAPACITY 3500 lbs.

35IGTS1E14

TWO SPEED



SECTION A-A  
NOT TO SCALE



PASSENGER IN-GROUND  
ELEVATION VIEW

CAPACITY 3500 lbs.	35IGTS1E14
TWO SPEED	