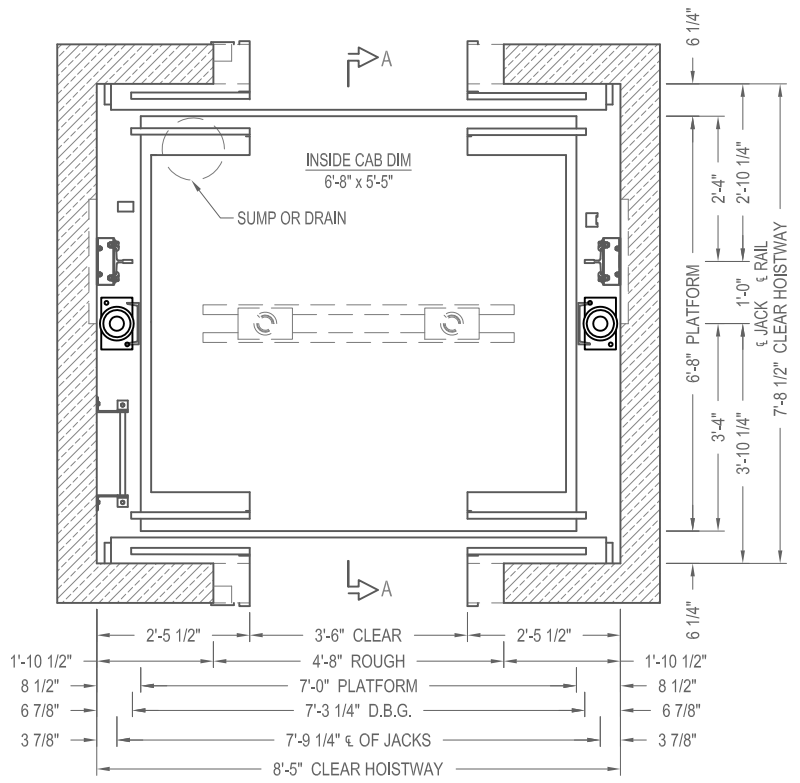
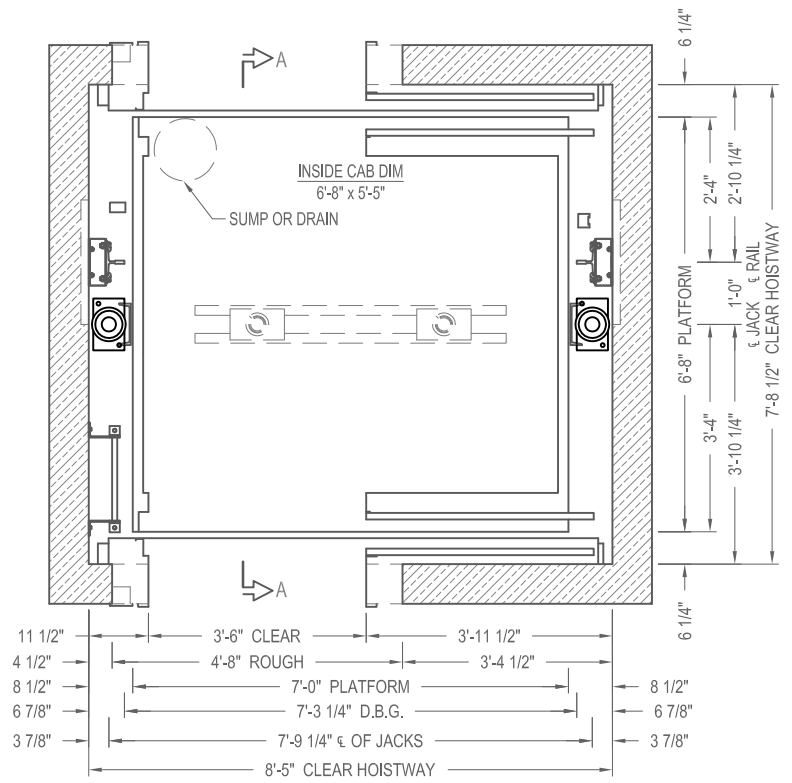


SECTION A-A  
NOT TO SCALE



CENTER PARTING HOISTWAY PLAN

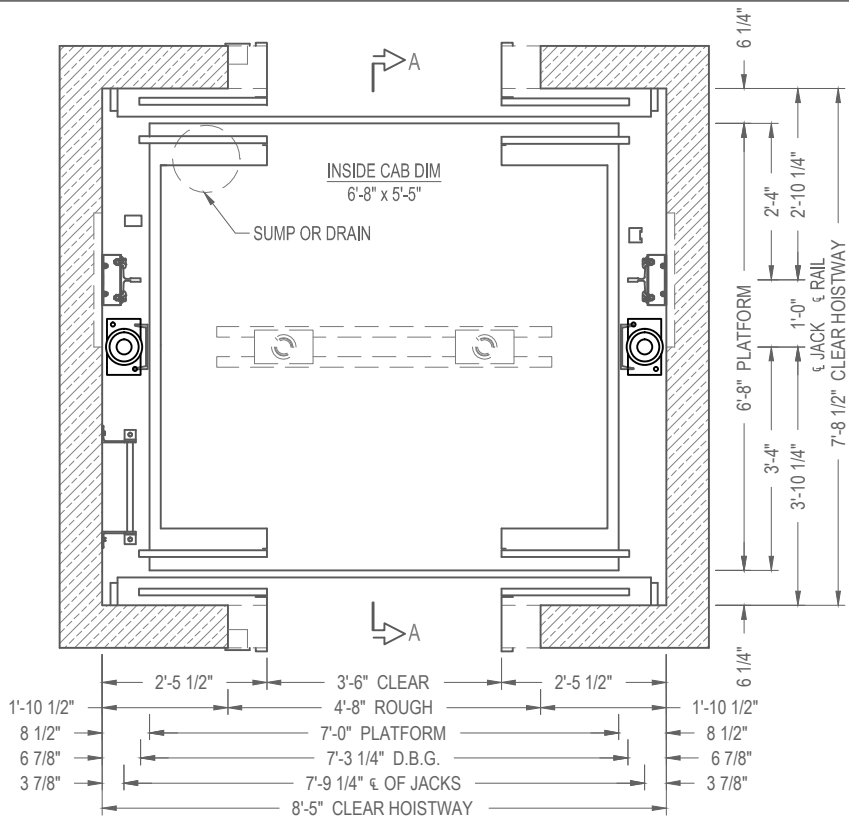


SINGLE SPEED HOISTWAY PLAN

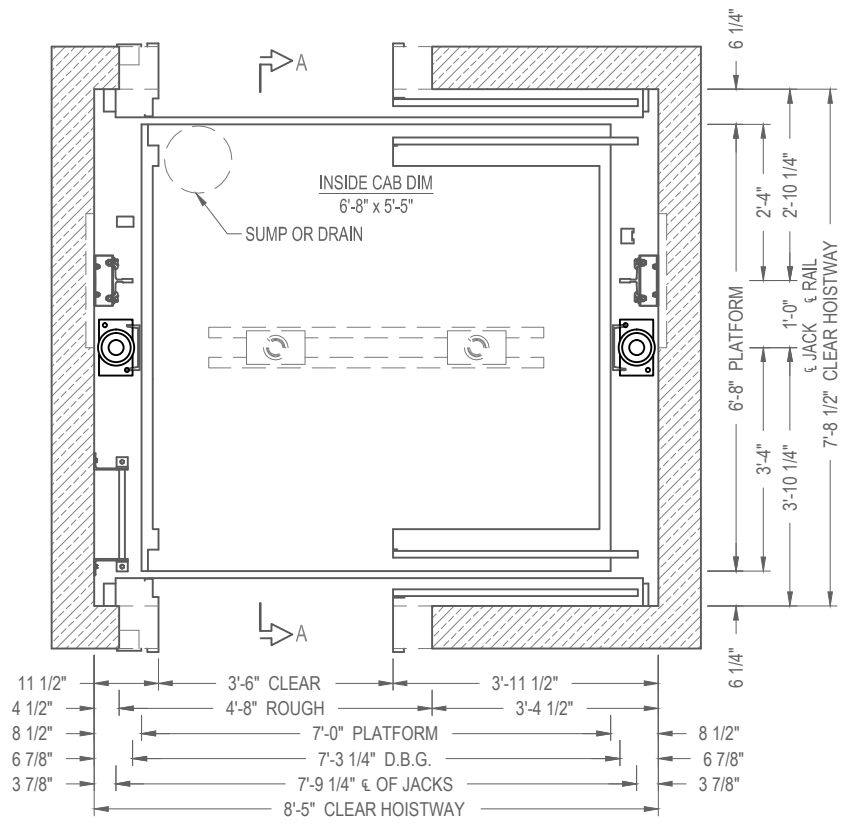


PASSENGER TELESCOPIC HOLELESS  
ELEVATION & PLAN VIEW

CAPACITY 3500 lbs. 35THLSS2E14  
SINGLE SLIDE & CENTER PARTING



CENTER PARTING HOISTWAY PLAN



SINGLE SPEED HOISTWAY PLAN

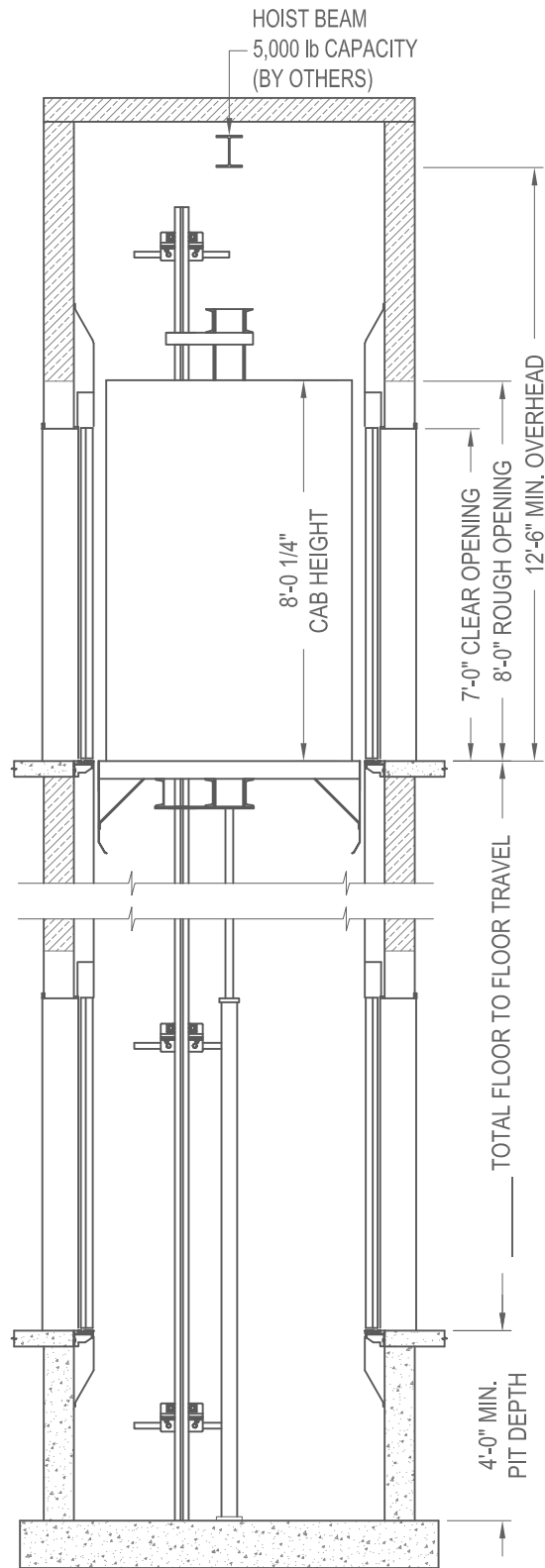


PASSENGER TELESCOPIC HOLELESS  
PLAN VIEW

CAPACITY 3500 lbs.

35THLSS2E14

SINGLE SLIDE & CENTER PARTING



SECTION A-A  
NOT TO SCALE



PASSENGER TELESCOPIC HOLELESS

ELEVATION VIEW

CAPACITY 3500 lbs.

35THLSS2E14

SINGLE SLIDE & CENTER PARTING