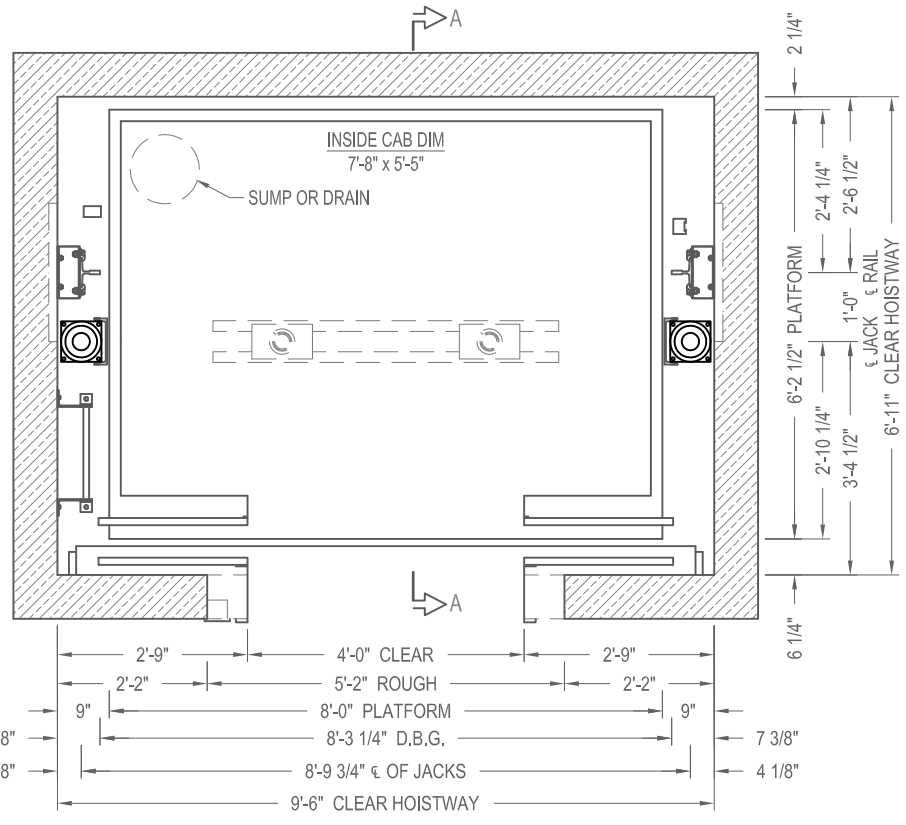
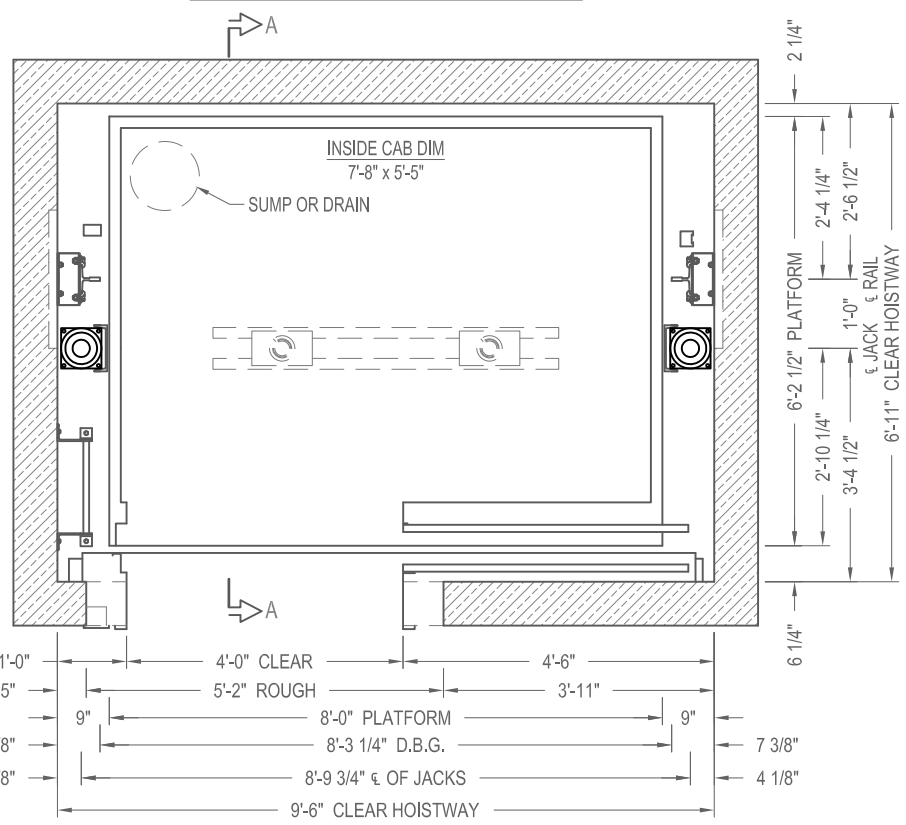


SECTION A-A  
NOT TO SCALE



CENTER PARTING HOISTWAY PLAN

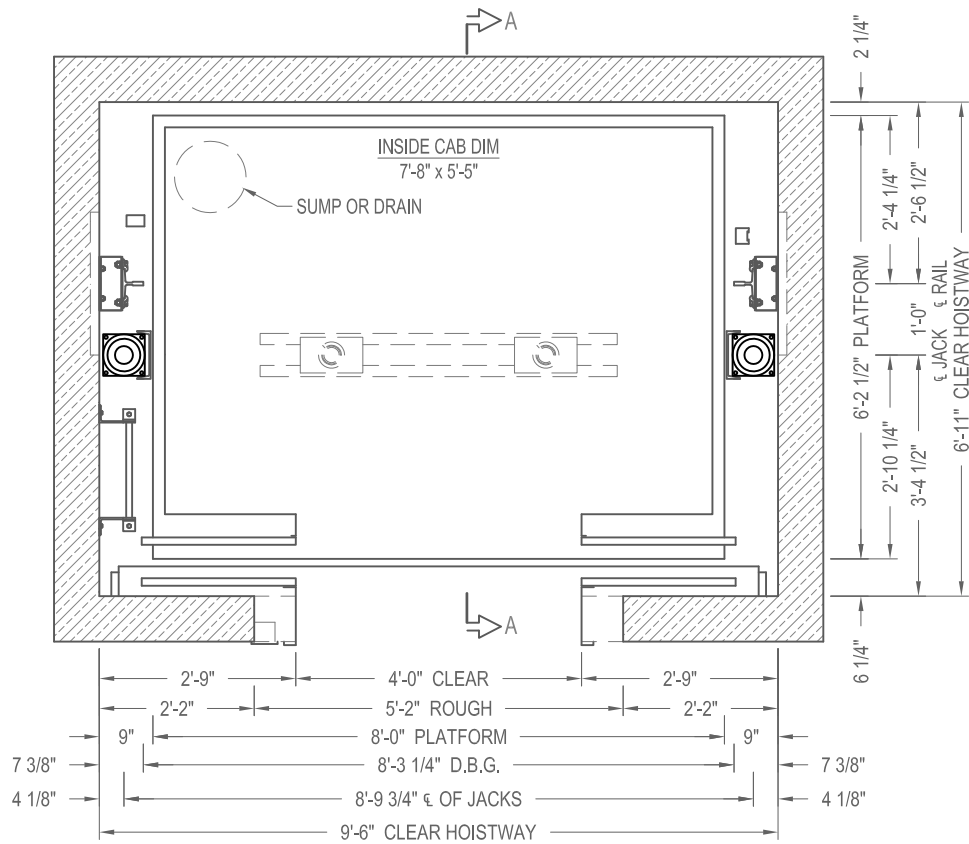


SINGLE SPEED HOISTWAY PLAN

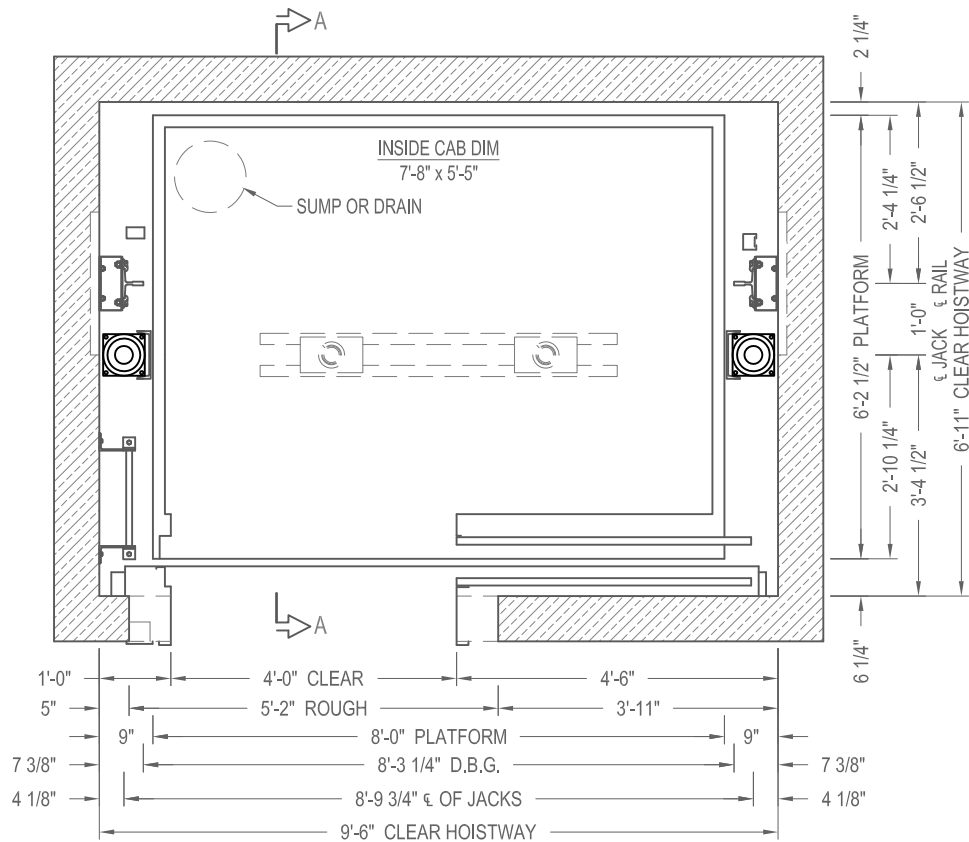


PASSENGER TELESCOPIC HOLELESS  
ELEVATION & PLAN VIEW

CAPACITY 4000 lbs. 40THLSS1E14  
SINGLE SLIDE & CENTER PARTING



CENTER PARTING HOISTWAY PLAN



SINGLE SPEED HOISTWAY PLAN



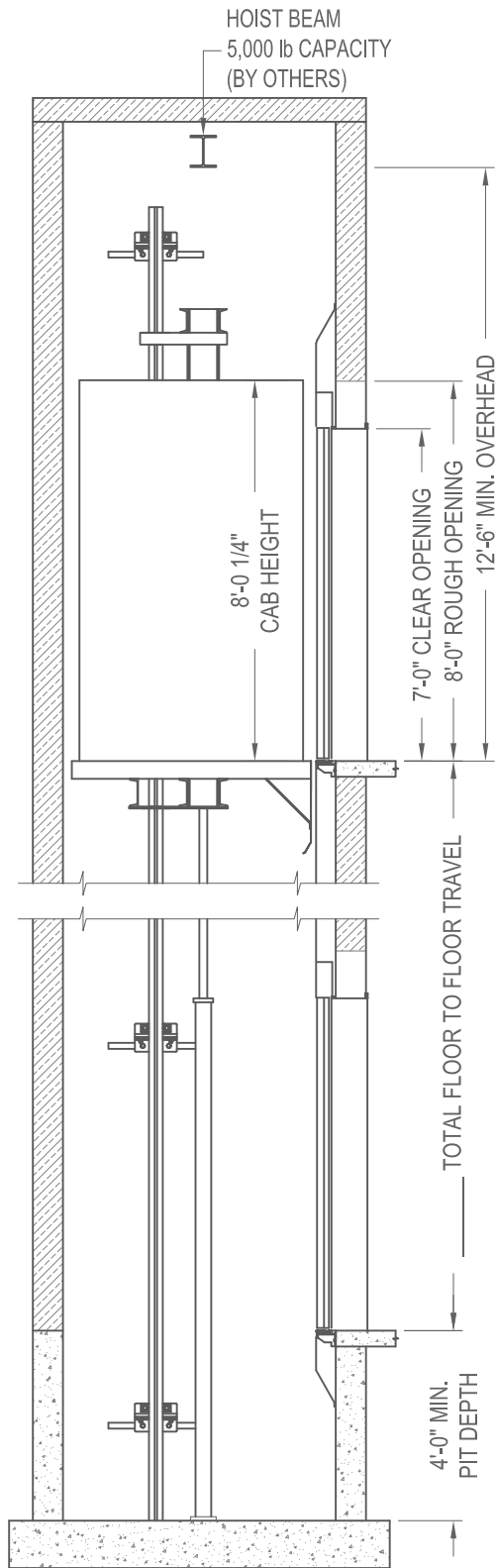
PASSENGER TELESCOPIC HOLELESS

CAPACITY 4000 lbs.

40THLSS1E14

SINGLE SLIDE & CENTER PARTING

PLAN VIEW



SECTION A-A  
NOT TO SCALE



PASSENGER TELESCOPIC HOLELESS

ELEVATION VIEW

CAPACITY 4000 lbs.

40THLSS1E14

SINGLE SLIDE & CENTER PARTING