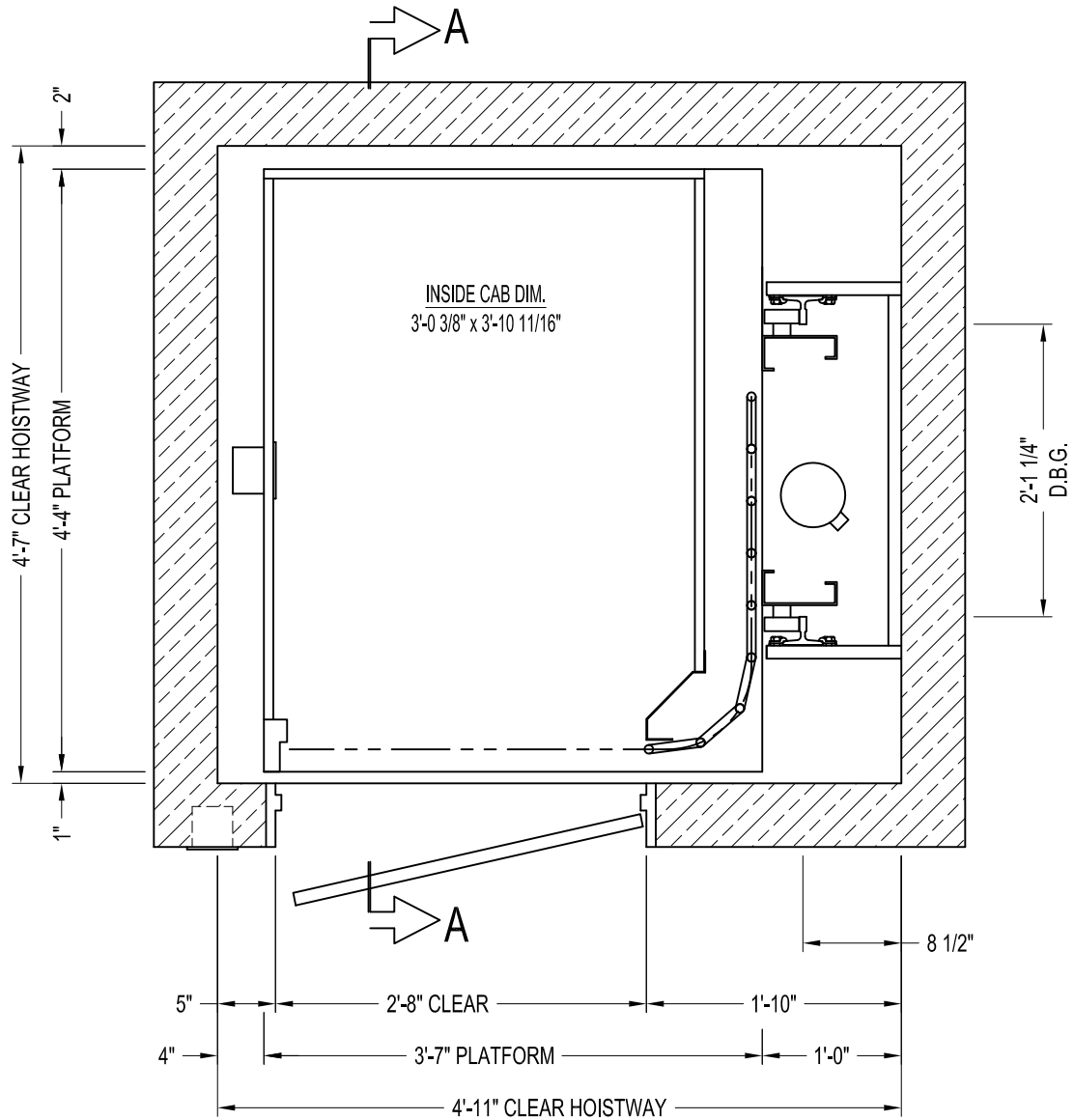


HOME ROPED HYDRAULIC  
ELEVATION & PLAN VIEW

CAPACITY 700 lbs.  
ENTERPRISE

7RHEP1E14



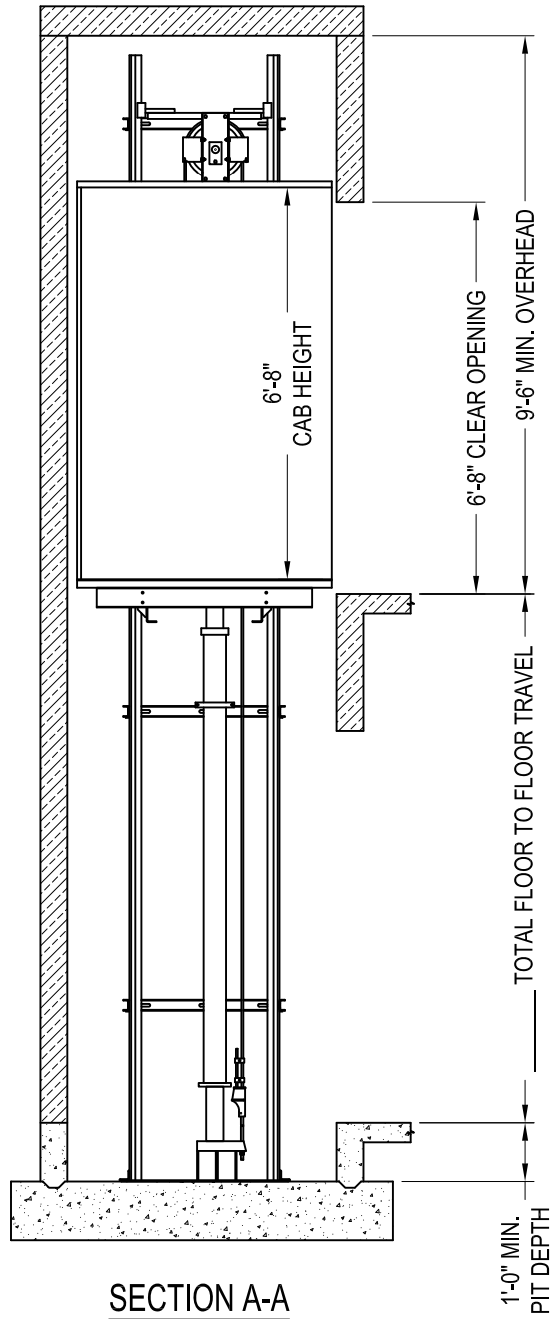
HOISTWAY PLAN



HOME ROPED HYDRAULIC  
PLAN VIEW

CAPACITY 700 lbs.  
ENTERPRISE

7RHEP1E14



HOME ROPED HYDRAULIC  
ELEVATION VIEW

CAPACITY 700 lbs.  
ENTERPRISE

7RHEP1E14