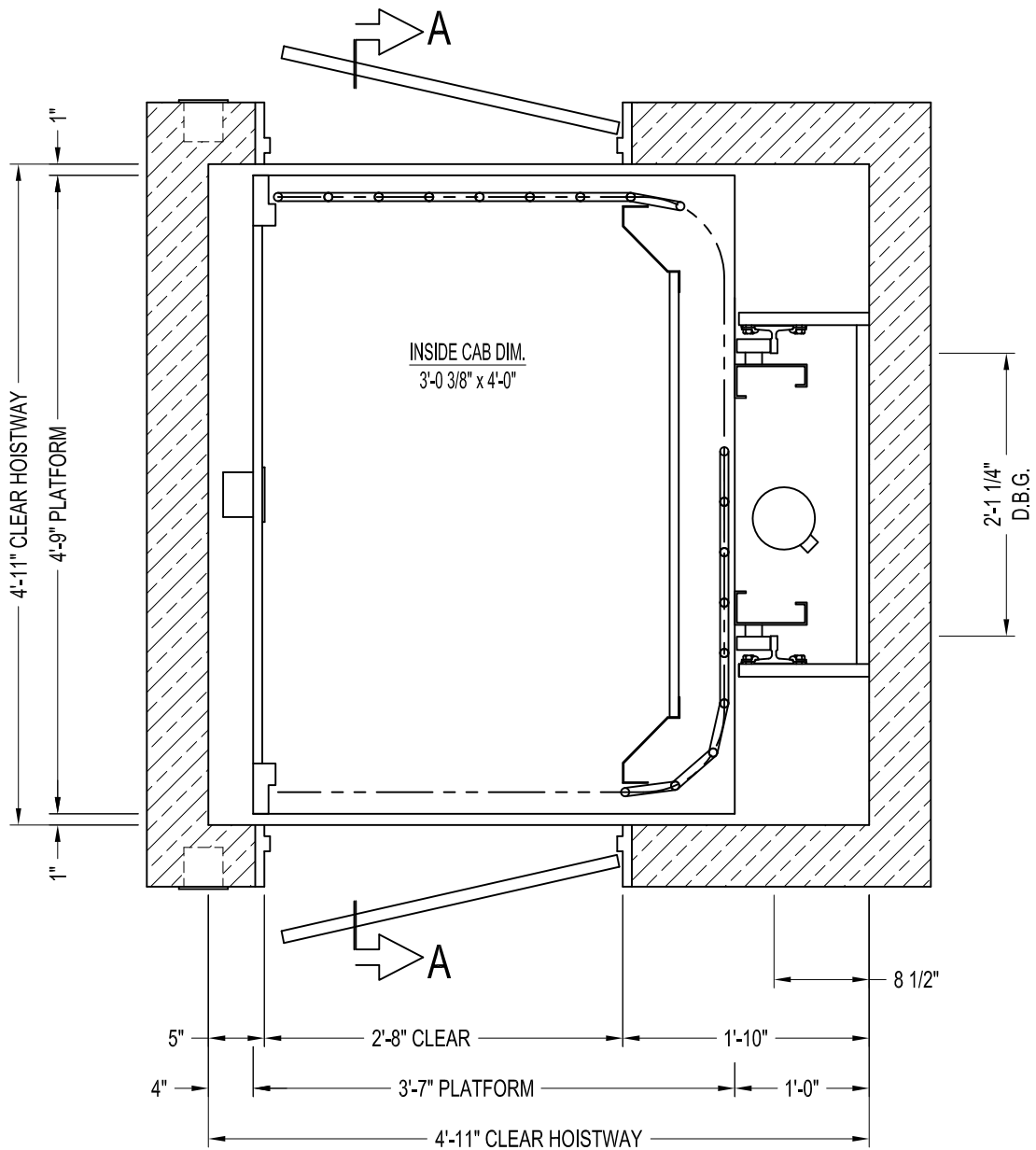


HOME ROPED HYDRAULIC
ELEVATION & PLAN VIEW

CAPACITY 700 lbs.

7RHEP2E14

ENTERPRISE



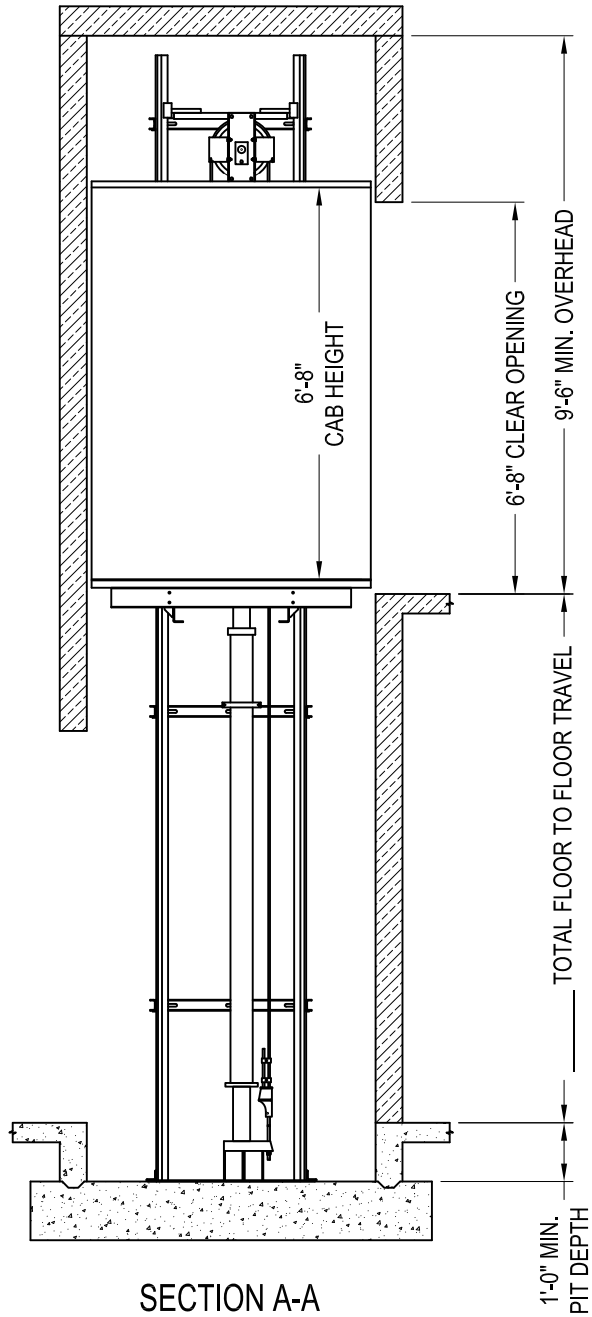
HOISTWAY PLAN



HOME ROPED HYDRAULIC
PLAN VIEW

CAPACITY 700 lbs.
ENTERPRISE

7RHEP2E14



SECTION A-A



HOME ROPED HYDRAULIC
ELEVATION VIEW

CAPACITY 700 lbs.
ENTERPRISE

7RHEP2E14