

HOISTWAY PLAN

\*- DIMENSIONS VARY FOR DOOR SIZE, GATE TYPE, SPEED, ETC. DIMENSIONS GIVEN ARE BASED ON 7'-8" INSIDE CAB.

SECTION A-A  
NOT TO SCALE

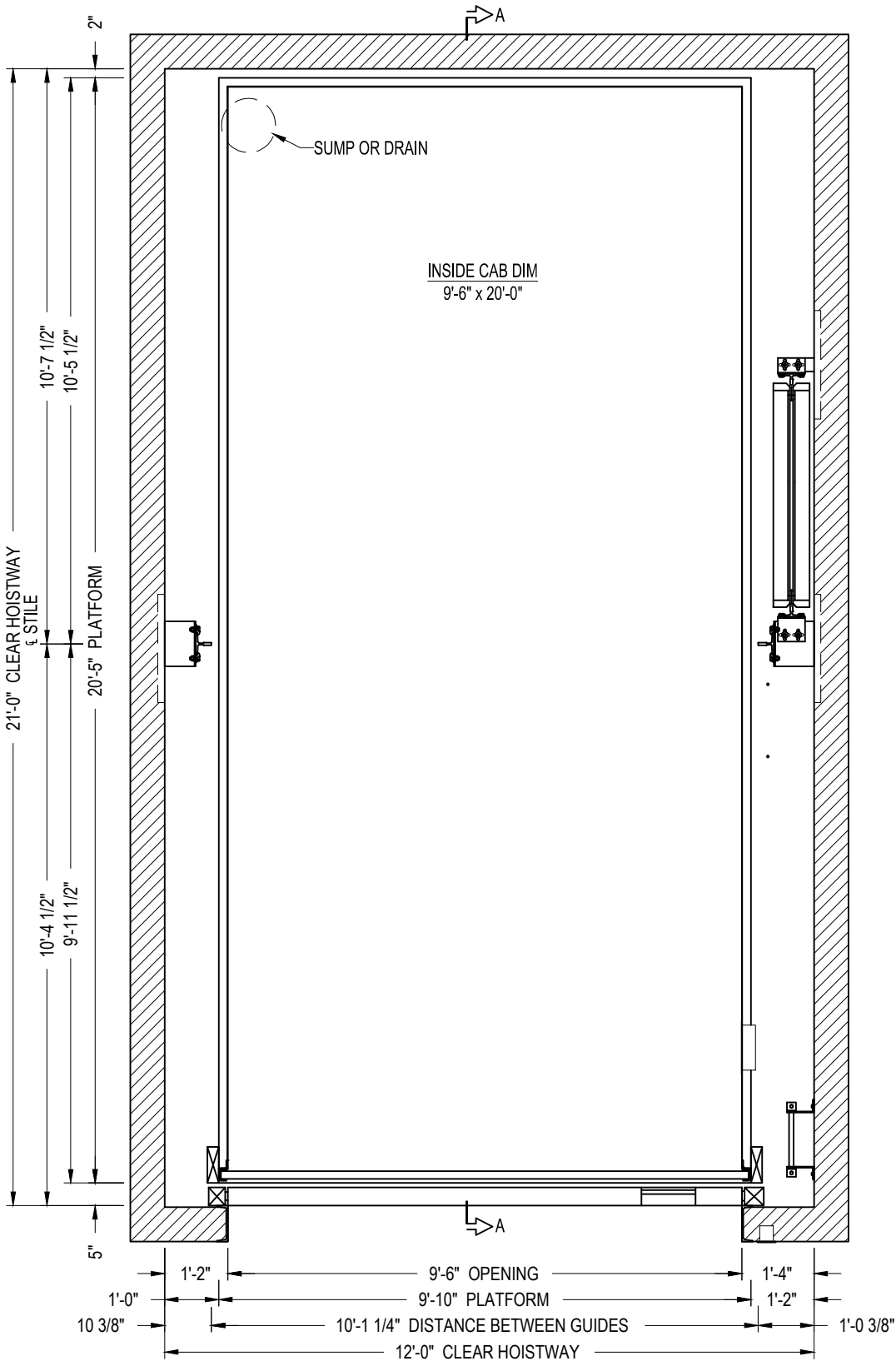


TRACTION FREIGHT  
ELEVATION & PLAN VIEW

CAPACITY 6000 lbs.

60.TF.B.1E.14

VERTICAL BI-PARTING



HOISTWAY PLAN



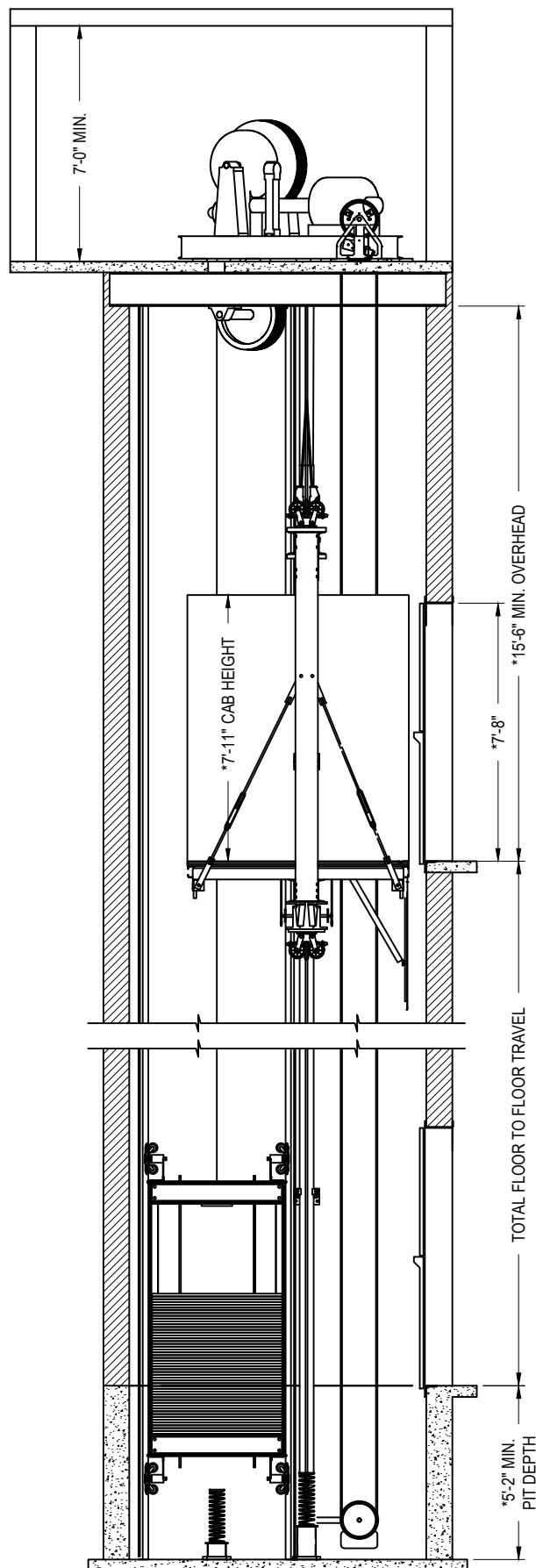
TRACTION FREIGHT

PLAN VIEW

CAPACITY 6000 lbs.

60.TF.B.1E.14

VERTICAL BI-PARTING



\*- DIMENSIONS VARY FOR DOOR SIZE,  
GATE TYPE, SPEED, ETC. DIMENSIONS  
GIVEN ARE BASED ON 7'-8" INSIDE CAB.

SECTION A-A  
NOT TO SCALE



TRACTION FREIGHT  
ELEVATION VIEW

CAPACITY 6000 lbs.

60.TF.B.1E.14

VERTICAL BI-PARTING