
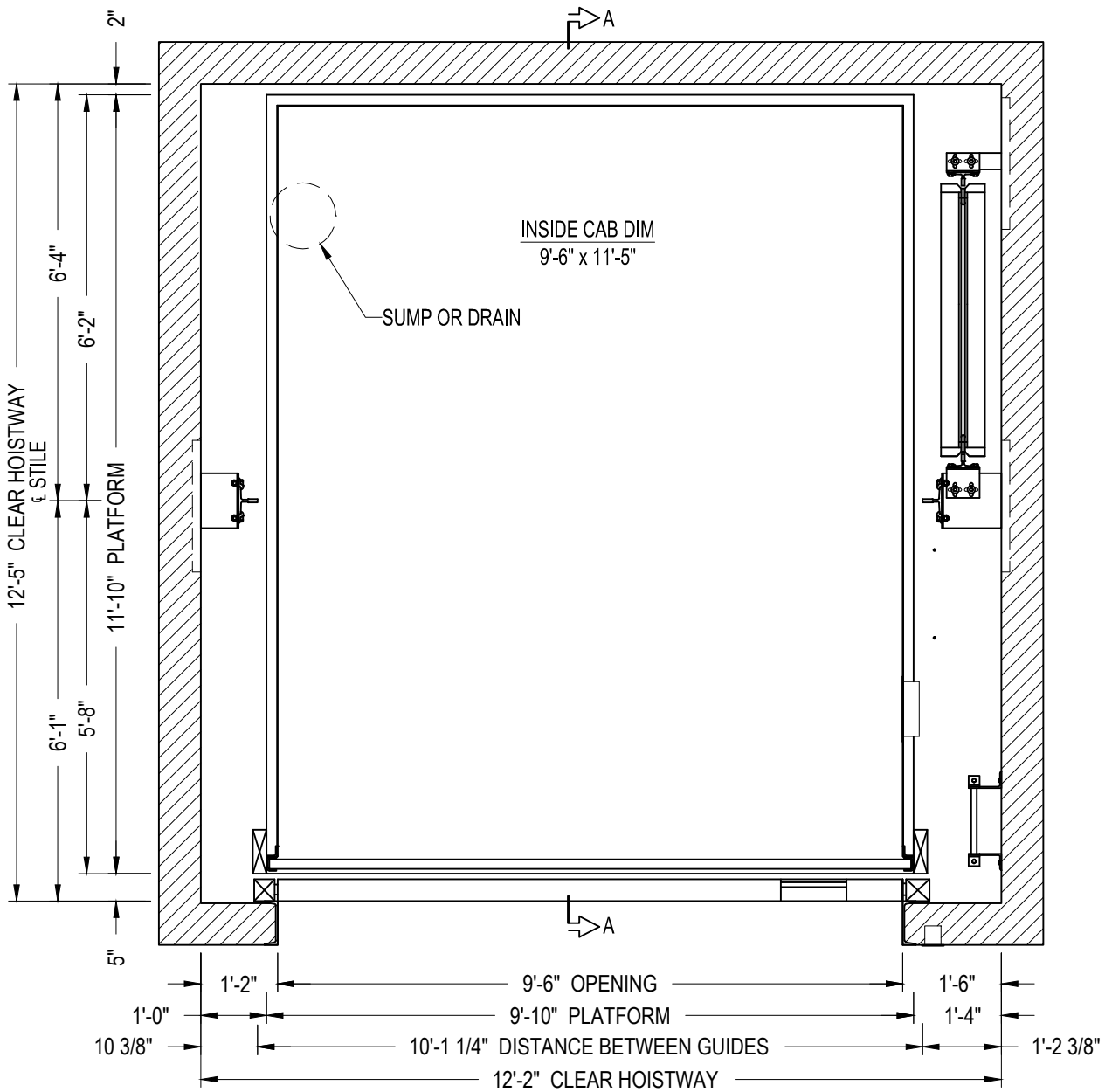


\*- DIMENSIONS VARY FOR DOOR SIZE, GATE TYPE, SPEED, ETC. DIMENSIONS GIVEN ARE BASED ON 7'-8" INSIDE CAB.

SECTION A-A  
NOT TO SCALE

	<h1>TRACTION FREIGHT</h1>	CAPACITY 8000 lbs.	80.TF.C.1E.14
	<h1>ELEVATION &amp; PLAN VIEW</h1>	VERTICAL BI-PARTING	



HOISTWAY PLAN



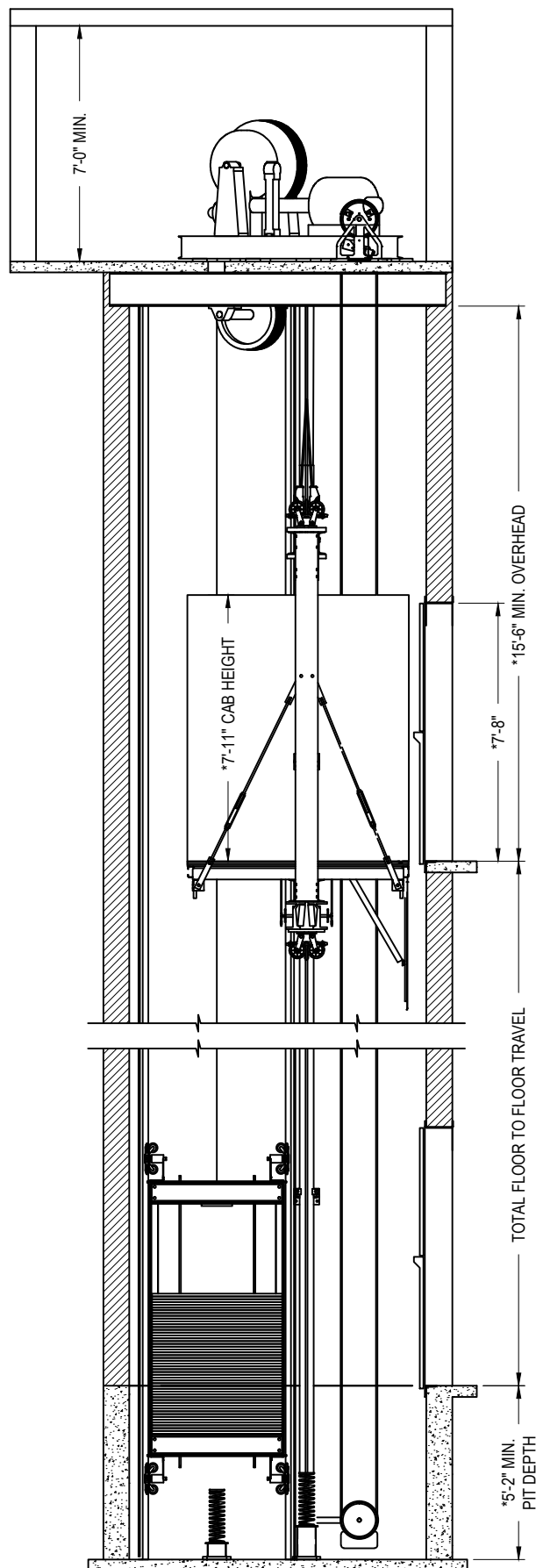
TRACTION FREIGHT

PLAN VIEW

CAPACITY 8000 lbs.

80.TF.C.1E.14

VERTICAL BI-PARTING



\*- DIMENSIONS VARY FOR DOOR SIZE,  
GATE TYPE, SPEED, ETC. DIMENSIONS  
GIVEN ARE BASED ON 7'-8" INSIDE CAB.

SECTION A-A  
NOT TO SCALE



TRACTION FREIGHT  
ELEVATION VIEW

CAPACITY 8000 lbs.

80.TF.C.1E.14

VERTICAL BI-PARTING